

MÁQUINA CAFÉ ESPRESSO

ESPRESSO COFFEE MACHINE



MÁQ. CAFÉ ATLANTIC 2 CV TC ECC - 2.0.017.5016

ESPRESSO COFFEE MACHINE ATLANTIC 2 CV TC ECC

MÁQ. CAFÉ ATLANTIC 2 CV TI TC ECC - 2.0.017.5017

ESPRESSO COFFEE MACHINE ATLANTIC 2 CV TI TC ECC

POTÊNCIA 3800 W
POWER

TENSÃO DE ALIMENTAÇÃO 220-230V / 400-2N - 50/60Hz
POWER SUPPLY

GRUPOS 2
GROUPS

CAPACIDADE DA CALDEIRA 11 L
BOLLER CAPACITY

TORNEIRAS DE AGUA / VAPOR 1 / 2
WATER TAP / STEAM TAP

PESO LIQUIDO 58 kg
NET WEIGHT

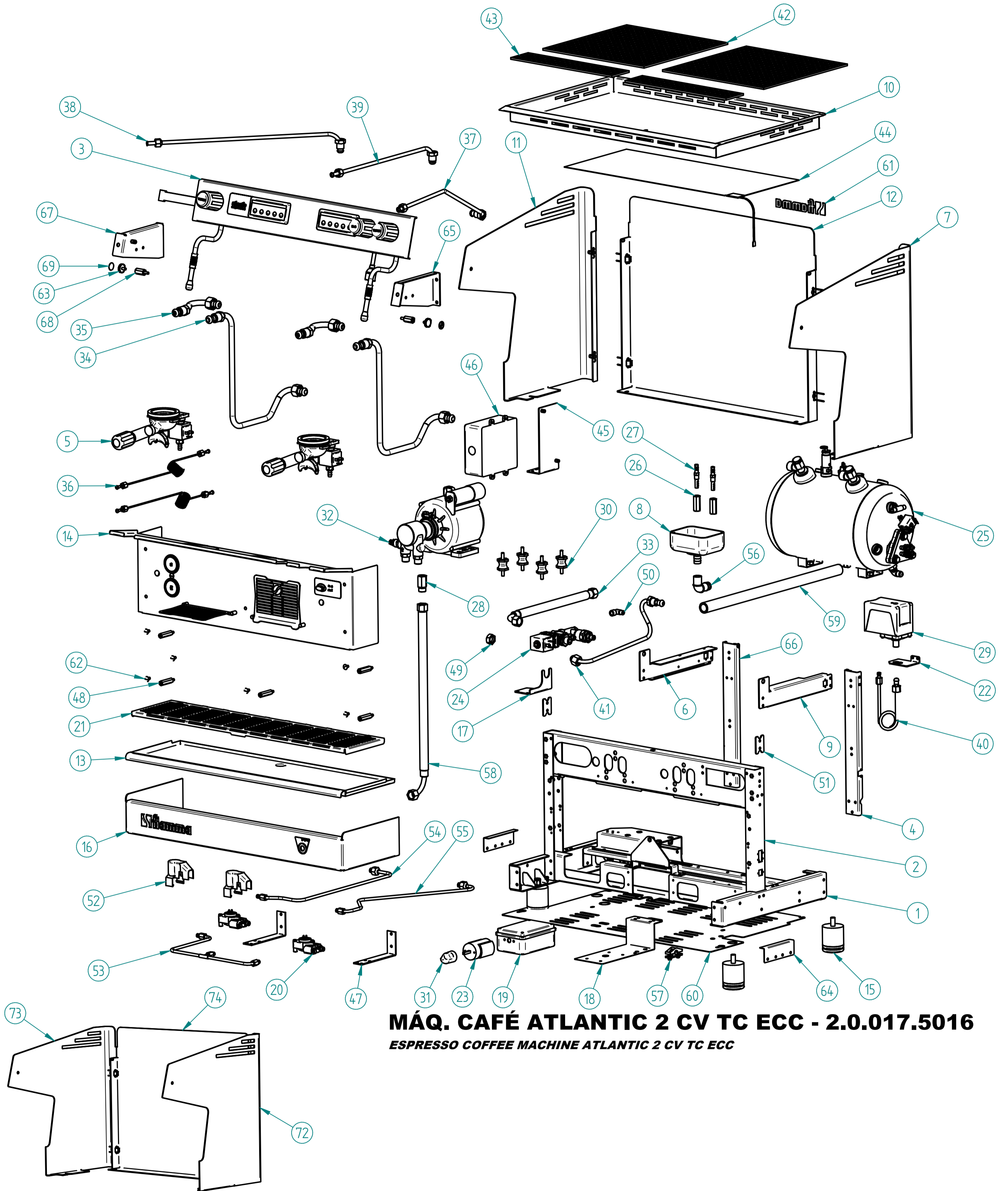
PESO BRUTO 63,5 kg
GROSS WEIGHT

DIMENSÕES (LxPxH) 665 x 563 x 530 mm
DIMENSIONS

DIMENSÕES DA EMBALAGEM (LxPxH) 780 x 620 x 590 mm
PACKAGE DIMENSIONS

MÁQ. CAFÉ ATLANTIC 2 CV TC ECC

ESPRESSO COFFEE MACHINE ATLANTIC 2 CV TC ECC



MÁQ. CAFÉ ATLANTIC 2 CV TC ECC - 2.0.017.5016

ESPRESSO COFFEE MACHINE ATLANTIC 2 CV TC ECC

MÁQ. CAFÉ ATLANTIC 2 CV TI TC ECC - 2.0.017.5017

ESPRESSO COFFEE MACHINE ATLANTIC 2 CV TI TC ECC

20160523



Os elementos deste desenho podem ser alterados sem aviso prévio.
This drawing may be altered without previous notice.

MÁQ. CAFÉ ATLANTIC 2 CV TC ECC

ESPRESSO COFFEE MACHINE ATLANTIC 2 CV TC ECC

LISTA DE COMPONENTES E ACESSÓRIOS

Spare parts list

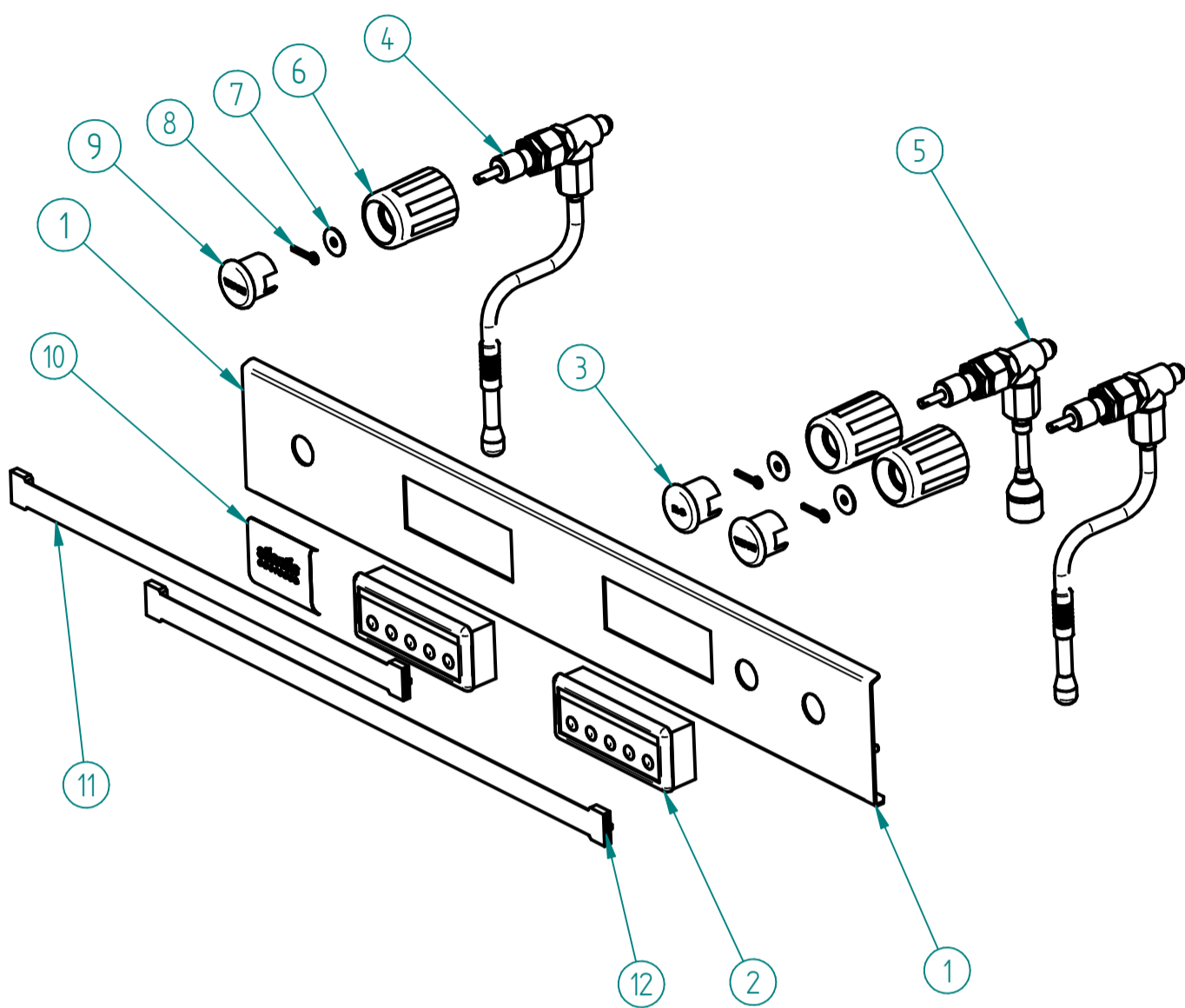
ITEM Nº	CÓDIGO	DESIGNAÇÃO	DESIGNATION	QUANT.	ITEM Nº	CÓDIGO	DESIGNAÇÃO	DESIGNATION	QUANT.
1	7.0.017.5511	CHASSI HORIZONTAL ATLANTIC 2 ECC	HORIZONTAL CHASSIS ATLANTIC 2 ECC	1	38	7.0.000.0064	TUBO CALDEIRA TORN. VAPOR ESQ.	TUBE BOILER/LEFT STEAM TAP	1
2	7.0.017.5512	CHASSI VERTICAL ATLANTIC 2 ECC	VERTICAL CHASSIS ATLANTIC 2 ECC	1	39	7.0.000.0042	TUBO CALDEIRA TORN. VAPOR ESQ. ATLANTIC	TUBE BOILER/LEFT STEAM TAP	1
3	PRE-MONTAGEM	PAINEL COMANDO SUPERIOR CONJ. ATLANTIC 2CV ECC	UPPER COMMAND PANEL ASS. ATLANTIC 2CV ECC	1	40	7.0.000.0051	TUBO CALDEIRA PRESSOSTATO REVOL./ATLANTIC	TUBE BOILER/PRESSURE SWITCH	1
4	7.0.016.1055	CANTO POSTERIOR DIR. ATLANTIC NV	RIGHT REAR SUPPORT ATLANTIC NV	1	41	7.0.000.0065	TUBO BLOCO CALDEIRA	TUBE DISTRIB. GROUP/BOILER	1
5		GRUPO ECC-07 C/ ACESSORIOS	ECC-07 GROUP W/ ACESS.	2	42	4.0.025.0110	GRELHA PLASTICO 20X20	UPPER TRAY PLASTIC GRID 20X20	2
6	7.0.016.1542	REFORÇO LATERAL SUP. ESQ. ATLANTIC REBIT	LEFT SIDE PANEL SUPPORT	1	43	7.0.016.1240	GRELHA PLASTICO 20x4 ATLANTIC NV	UPPER TRAY PLASTIC GRID 20X4	2
7	7.0.016.5105	PAINEL LATERAL DIR. PINT. ATLANTIC ECC	RIGHT SIDE PANEL ATLANTIC ECC	1	44	5.0.000.0808	RESIST. ESCALDA CHAV. 530X230MM 65W 230V	HEATING ELEMENT FOR CUP HEATING	1
8	4.0.000.0840	DEPOSITO ESGOTO PLASTICO	DRAIN TRAY	1	45	7.0.016.0362	SUPORTE UNIDADE ELECT. GICAR 2GR / 3GR	GICAR ELECTRONIC UNIT SUPPORT	1
9	7.0.016.1540	REFORÇO LATERAL SUP. DIR. ATLANTIC REBIT	RIGHT SIDE PANEL SUPPORT	1	46	4.0.000.0953	UNIDADE ELECTRONICA GICAR	ELECTRONIC UNIT	1
10	7.0.017.5215	TABULEIRO SUPERIOR ATLANTIC 2 ECC	UPPER TRAY ATLANTIC 2 ECC	1	47	7.0.025.0325	SUPORTE CONTADOR VOL. PRESTIGE CV/EUROPA CV	VOLUMETRIC DOSER SUPPORT	2
11	7.0.016.5115	PAINEL LATERAL ESQ. PINT. ATLANTIC ECC	LEFT SIDE PANEL ATLANTIC ECC	1	48	4.0.028.0070	SEPARADOR BLINDAGEM ELECTROV. GRUPOS	SHIELD GROUP SEPARATOR	5
12	7.0.017.1125	PAINEL POSTERIOR PINT. ATLANTIC 2 NV	REAR PANEL ATLANTIC 2 NV	1	49	4.0.016.0014	TAMPAO G3/8F LATAO	BRASS COVER G3/8F	1
13	7.0.017.5222	TABULEIRO INFERIOR ATLANTIC 2 ECC	LOWER TRAY ATLANTIC 2 ECC	1	50	5.0.000.0728	RACORD L G1/8-G1/8F	RACORD L G1/8-G1/8F	1
14	PRE-MONTAGEM	PAINEL FRONTAL CONJ. ATLANTIC 2 TALL CUPS ECC	FRONT PANEL ATLANTIC 2 TC ECC	1	51	7.0.016.5519	CHAPA COMPENSAÇÃO CHASSI VERT. ATLANTIC ECC	COMPENSATION PLATE VERT. CHASSIS ATLANTIC ECC	2
15	4.0.000.0803	PE MAQ. DE CAFE 50x50	FEET FOR COFFE MACHINE 50X50	4	52	5.0.000.1013	BLINDAGEM CONTADOR VOLUMETRICO	SHIELD VOLUMETRIC DOSER	2
16	PRE-MONTAGEM	PAINEL COMANDO INFERIOR CONJ. ATLANTIC 2 ECC	LOWER CONTROL PANEL ATLANTIC 2 ECC	1	53	7.0.000.0102	TUBO BLOCO CONT. VOL. 2GR	TUBE DISTRIB. GROUP/VOL. DOSER 2GR	1
17	7.0.016.5050	SUPORTE BLOCO ATLANTIC ECC	DISTRIBUTION GROUP SUPPORT ATLANTIC ECC	1	54	7.0.000.0111	TUBO CONT. VOL. INJECTOR ESQ. (2GR/3GR)	TUBE VOL. DOSER/INJECTOR	1
18	7.0.025.0545	SUPORTE COMUTADOR PRESTIGE REVOL.	COMMUTATOR SUPPORT	1	55	7.0.000.0112	TUBO CONT. VOL. INJECTOR DIR./ CENT. (2GR/3GR)	TUBE VOL. DOSER/INJECTOR	1
19	4.0.000.0910	CAIXA COMUTADOR MAQ. 2GR	COMMUTATOR BOX	1	56	4.0.000.0845	RACORD L DEPOSITO ESGOTO PLASTICO	ANGLE RACORD	1
20	PRE-MONTAGEM	CONTADOR VOLUMETRICO CONJ. PRESTIGE, ATLANTIC 2-3CV ECC	ASS. VOLUMETRIC DOSER PRESTIGE, ATLANTIC 2/3CV ECC	2	57	4.0.000.0495	CERRA CABOS PA 238	CABLE FASTENER PA238	1
21	7.0.017.5225	GRELHA TABULEIRO INF. ATLANTIC 2 TC ECC	LOWER TRAY GRID ATLANTIC 2 TC ECC	1	58	4.0.000.0818	TUBO ALIMENTAÇÃO C/ CURVA 1500MM	WATER INLET PIPE 1500MM	1
22	7.0.016.1060	SUPORTE PRESSOSTATO MAQ. CAFE	PRESSURE SWITCH SUPPORT	1	59	4.0.000.0222	TUBO ESGOTO	DRAIN TUBE	1
23	5.0.000.0061	COMUTADOR (3 POS.) MAQ. CAFE	MAIN COMMUTATOR (3 POS.)	1	60	7.0.017.5070	BLINDAGEM FUNDO ATLANTIC 2 ECC	BOTTOM SHIELD ATLANTIC 2 ECC	1
24	7.0.016.0065	BLOCO ENTRADA AGUA ECC-07 (AUT.) CONJ.	WATER INLET ASS.	1	61	4.0.007.0068	AUTOCOLANTE FIAMMA (TRANSFER) 150MM	FIAMMA DECAL 150MM	1
25		CALDEIRA 11LT C/ ACESS.	11T BOILER W/ ACESS.	1	62	4.2.000.9116	PARAFUSO CAB. OVAL LARGA M5X10 NIQ	SCREW M5X10	6
26	4.0.000.0190	CAMPANULA DESCARGA GRUPO	OUTER RACORD OF THE DRAINAGE ASSEMBLY	2	63	4.0.016.5054	PARAFUSO PAINEL LAT. ATLANTIC ECC	SCREW SIDE PANEL ATLANTIC ECC	2
27	4.0.000.0195	RACORD CAMPANULA DESCARGA GRUPO	INNER RACORD OF THE DRAINAGE ASSEMBLY	2	64	7.0.016.5223	SUPORTE TABULEIRO INF. ATLANTIC ECC	LOWER TRAY SUPPORT ATLANTIC ECC	2
28	4.0.000.0040	PORTA FILTRO ENT. AGUA C/ FILTRO NIPLESS	FILTER HOLDER OF WATER INLET	1	65	7.0.016.5142	LATERAL PAINEL COM. SUP. DIR. ATLANTIC ECC	RIGHTH SUPPORT UPPER CONTROL PANEL ATLANTIC ECC	1
29	5.0.000.0680	PRESSOSTATO 30A/400V 0,5-1,4BAR	PRESSURE SWITCH 30A/400V 0,5-1,4BAR	1	66	7.0.016.1054	CANTO POSTERIOR ESQ. ATLANTIC NV	LEFT REAR SUPPORT ATLANTIC NV	1
30	4.0.000.0032	APOIO MOTOR	MOTOR SUPPORT	4	67	7.0.016.5145	LATERAL PAINEL COM. SUP. ESQ. ATLANTIC ECC	LEFT SUPPORT UPPER CONTROL PANEL ATLANTIC ECC	1
31	4.0.025.0015	MANIPULO COMUTADOR	SWITCH FOR MAIN COMMUTATOR	1	68	4.0.016.5052	SEPARADOR PAINEL LAT. ATLANTIC ECC	SIDE PANEL SEPARATOR ATLANTIC ECC	2
32	7.0.016.0060	MOTOR BOMBA CONJ.	PUMP-MOTOR ASS.	1	69	4.0.016.5056	AUTOCOLANTE PAINEL LAT. ATLANTIC ECC	SIDE PANEL STICKER ATLANTIC ECC	2
33	5.0.000.0912	TUBO LIGAÇÃO BOMBA C/ CURVA 330MM	PUMP CONNECTION W/ ELBOW 330MM	1	72	7.0.016.5405	PAINEL LATERAL DIR. INOX ATLANTIC ECC	RIGHT SIDE PANEL ATLANTIC ECC - STAINLESS STEEL	1
34	5.0.000.0947	TUBO INFEROR CARTUCHO GRUPO 12mm	LOWER TUBE CARTRIDGE/GROUP 12mm	2	73	7.0.016.5415	PAINEL LATERAL ESQ. INOX ATLANTIC ECC	LEFT SIDE PANEL ATLANTIC ECC - STAINLESS STEEL	1
35	7.0.000.0054	TUBO SUP. CART. 1ºGR (DIR.) REVOL.	TUBE CARTRIDGE/GROUP	2	74	7.0.017.1425	PAINEL POSTERIOR INOX ATLANTIC 2 NV	REAR PANEL ATLANTIC 2 - STAINLESS TEEL	1
36	7.0.000.0022	TUBO CAPILAR 1,27X2,5X1000	CAPILLARY TUBE	2					
37	7.0.000.0041	TUBO CALDEIRA TORN. AGUA ATLANTIC	TUBE BOILER/WATER TAP	1					

MÁQ. CAFÉ ATLANTIC 2 CV TC ECC

ESPRESSO COFFEE MACHINE ATLANTIC 2 CV TC ECC

3 - PAINEL COMANDO SUPERIOR CONJ. ATLANTIC 2CV ECC

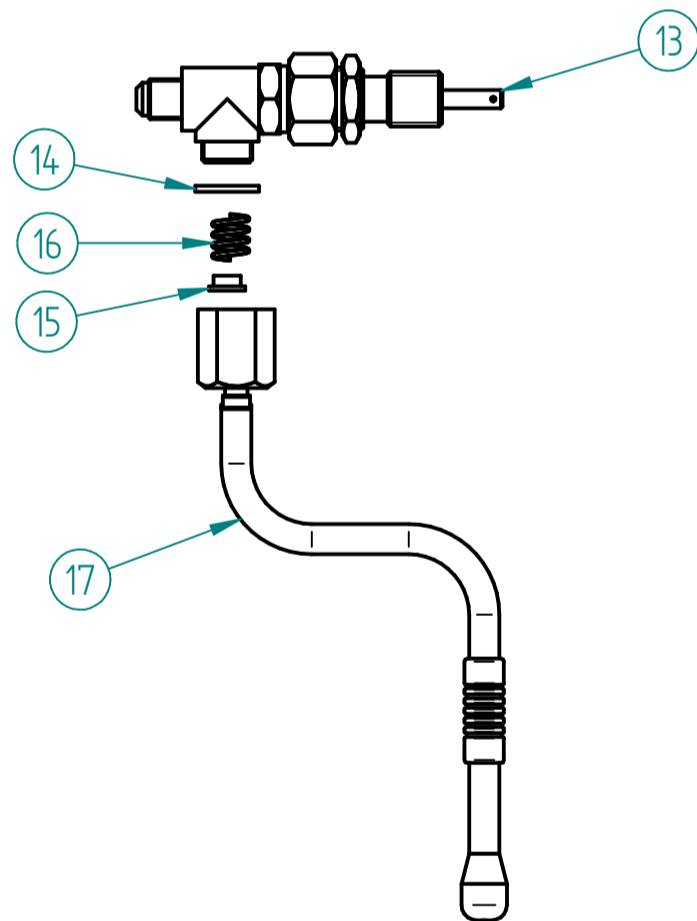
3 - UPPER COMMAND PANEL ASS. ATLANTIC 2CV ECC



ITEM Nº	CÓDIGO	DESIGNAÇÃO	DESIGNATION	QUANT.
1	7.0.017.5487	PAINEL COMANDO SUP. ATLANTIC 2 CV ECC	UPPER CONTROL PANEL ATLANTIC 2CV ECC	1
2	4.0.000.0955	TECLADO 5T LED VERM. GICAR	KEYBOARD	2
3	4.0.016.0028	TAMPAO MAN. TORN. ECC-07 (AGUA)	ECC-07 TAP HANDLE COVER (WATER)	1
4	4.0.016.0020	TORNEIRA ECC-07 G1/4-G1/8F (CONJ. VAPOR)	STEAM TAP ASS. ECC-07	2
5	4.0.016.0021	TORNEIRA ECC-07 G1/4-G1/8F (CONJ. AGUA)	WATER TAP ASS. ECC-07	1
6	4.0.016.0023	MANIPULO TORNEIRA ECC-07	TAP HANDLE	3
7	4.0.016.0024	ANILHA LATAO 1,3MM MAN. TORN. ECC-07	MS WASHER 1,3MM	3
8	4.0.016.0025	GOLPILHA INOX MAN. TORN. ECC-07	TAP ECC-07 LOCKER	3
9	4.0.016.0027	TAMPAO MAN. TORN. ECC-07 (VAPOR)	ECC-07 TAP HANDLE COVER (STEAM)	2
10	4.0.016.0065	AUTOCOLANTE ATLANTIC CV	STICKER ATLANTIC CV	1
11	4.0.000.0971	CABO UNIDADE ELECTR. TECLADO 16 PIN 600MM	CABLE FOR ELECTR. UNIT KEYBOARD 16 PIN 600MM	1
12	4.0.000.0972	CABO UNIDADE ELECTR. TECLADO 16 PIN 850MM	CABLE FOR ELECTR. UNIT KEYBOARD 16 PIN 850MM	1

4 - 4.0.016.0020 - TORNEIRA ECC-07 G1/4-G1/8F (CONJ. VAPOR)

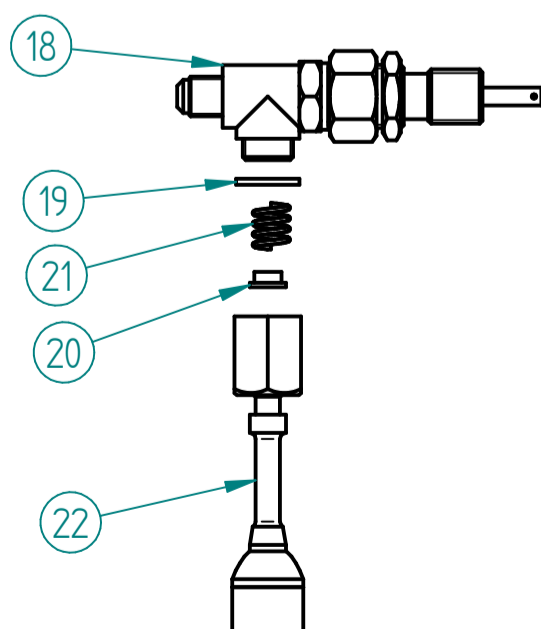
4 - STEAM TAP ASS. ECC-07



ITEM Nº	CODIGO	DESIGNAÇÃO	DESIGNATION	QUANT.
13	5.0.016.0350	TORNEIRA ECC-07 G1/4-G1/8F	TAP ECC-07	1
14	5.0.025.1386	JUNTA TEFLON 21X16,8X2	TEFLON GASKET	1
15	5.0.025.6508	GUIA MOLA TUBO AGUA/VAPOR TORN. EVOL.	GUIDE BUSH	1
16	5.0.025.7060	MOLA TUBO AGUA/VAPOR TORN. EVOL.	SPRING TAP	1
17	5.0.016.0320	TUBO TORNEIRA VAPOR ATLANTIC (CONJ.)	STEAM TAP TUBE ASS.	1

5 - 4.0.016.0021 - TORNEIRA ECC-07 G1/4-G1/8F (CONJ. AGUA)

5 - WATER TAP ASS. ECC-07

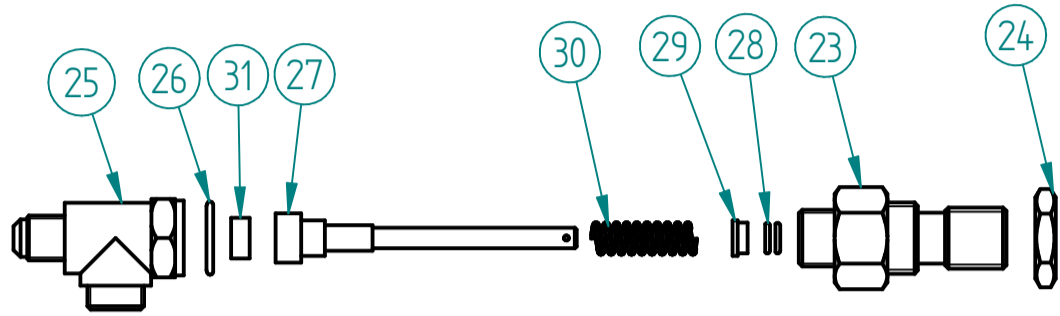


ITEM Nº	CODIGO	DESIGNAÇÃO	DESIGNATION	QUANT.
18	5.0.016.0350	TORNEIRA ECC-07 G1/4-G1/8F	TAP ECC-07	1
19	5.0.025.1386	JUNTA TEFLON 21X16,8X2	TEFLON GASKET	1
20	5.0.025.6508	GUIA MOLA TUBO AGUA/VAPOR TORN. EVOL.	GUIDE BUSH	1
21	5.0.025.7060	MOLA TUBO AGUA/VAPOR TORN. EVOL.	SPRING TAP	1
22	5.0.016.0330	TUBO TORNEIRA AGUA ATLANTIC (CONJ.)	WATER TAP TUBE ASS.	1

MÁQ. CAFÉ ATLANTIC 2 CV TC ECC

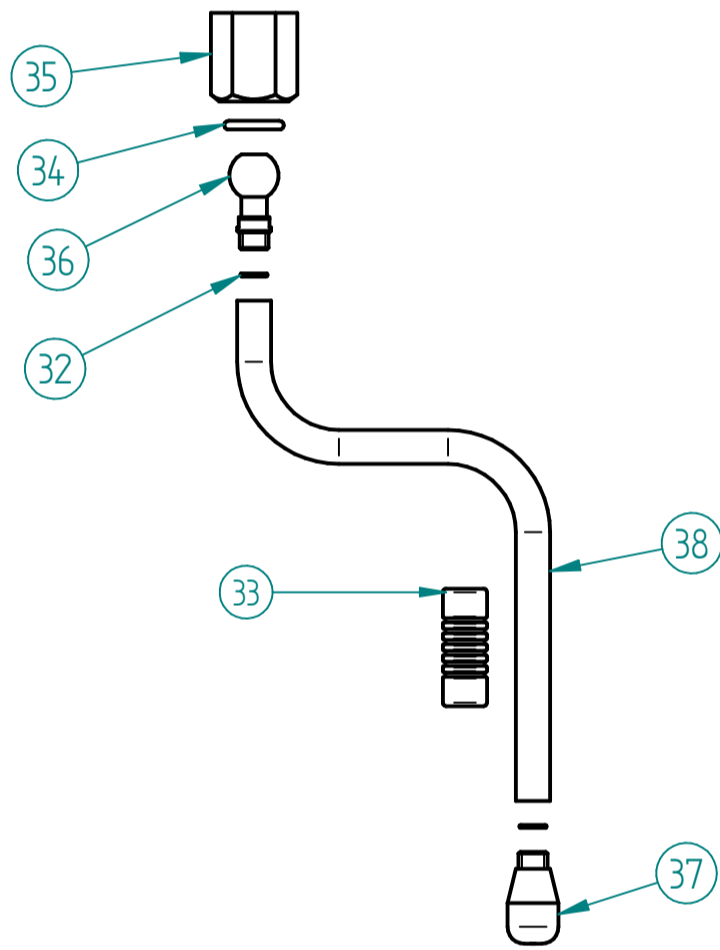
ESPRESSO COFFEE MACHINE ATLANTIC 2 CV TC ECC

13 / 18 - 5.0.016.0350 - TORNEIRA ECC-07 G1/4-G1/8F
13 / 18 - TAP ECC-07



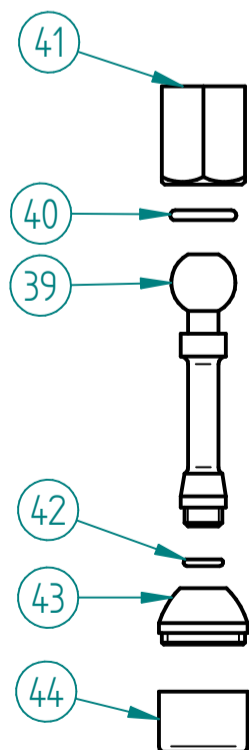
ITEM Nº	CODIGO	DESIGNAÇÃO	DESIGNATION	QUANT.
23	5.0.016.0304	RACORD FRONTAL TORN. ECC-07	FRONT ECC-07 TAP RACORD	1
24	4.0.155.0015	PORCA G1/2 LATAO	BRASS NUT G1/2	1
25	5.0.016.0300	CORPO TORNEIRA ECC-07	BODY OF THE TAP ECC-07	1
26	5.0.016.0303	JUNTA COBRE 22X17X2MM TORN. ECC-07	TAP GASKET	1
27	5.0.016.0308	VEIO TORNEIRA ECC-07	TAP ECC-07 SHAFT	1
28	5.0.016.0306	ORING VEIO TORN. ECC-07	TAP SHAFT ORING	2
29	5.0.016.0305	CASQUILHO VEIO TORN. ECC-07	METAL SLEEVE	1
30	5.0.016.0302	MOLA VEIO TORN. ECC-07	TAP SHAFT SPRING	1
31	5.0.016.0301	VEDANTE BORRACHA TORN. ECC-07	TAP ECC-07 GASKET	1

17 - 5.0.016.0320 - TUBO TORNEIRA VAPOR ATLANTIC (CONJ.)
17 - STEAM TAP TUBE ASS.



ITEM Nº	CODIGO	DESIGNAÇÃO	DESIGNATION	QUANT.
32	5.0.016.0323	ORING 6X1 TUBO VAPOR ATLANTIC	ORING 6X1	2
33	4.0.000.0814	PINÇA ISOLANTE TUBO VAPOR 10MM	INSULATING HANDGRIP 10MM	1
34	5.0.025.0205	ORING 12,1x2,7 PORCA TUBO TORN.	ORING 12,1x2,7	1
35	5.0.016.0321	PORCA TUBO TORN. ATLANTIC	TAP TUBE NUT	1
36	5.0.016.0326	ROTULA TUBO TORN. ATLANTIC M8,5X0,75	RACORD W/ SPHERE M8,5X0,75	1
37	5.0.028.0328	ESPALHADOR VAPOR TORN. PACIFIC M8,5X0,75 - 3 FUROS	SPRAYER OF THE STEAM TAP - 3 HOLES	1
38	5.0.016.0327	TUBO TORNEIRA VAPOR ATLANTIC M8,5X0,75	STEAM TAP TUBE M8,5X0,75	1

22 - 5.0.016.0330 - TUBO TORNEIRA AGUA ATLANTIC (CONJ.)
22 - WATER TAP TUBE ASS.



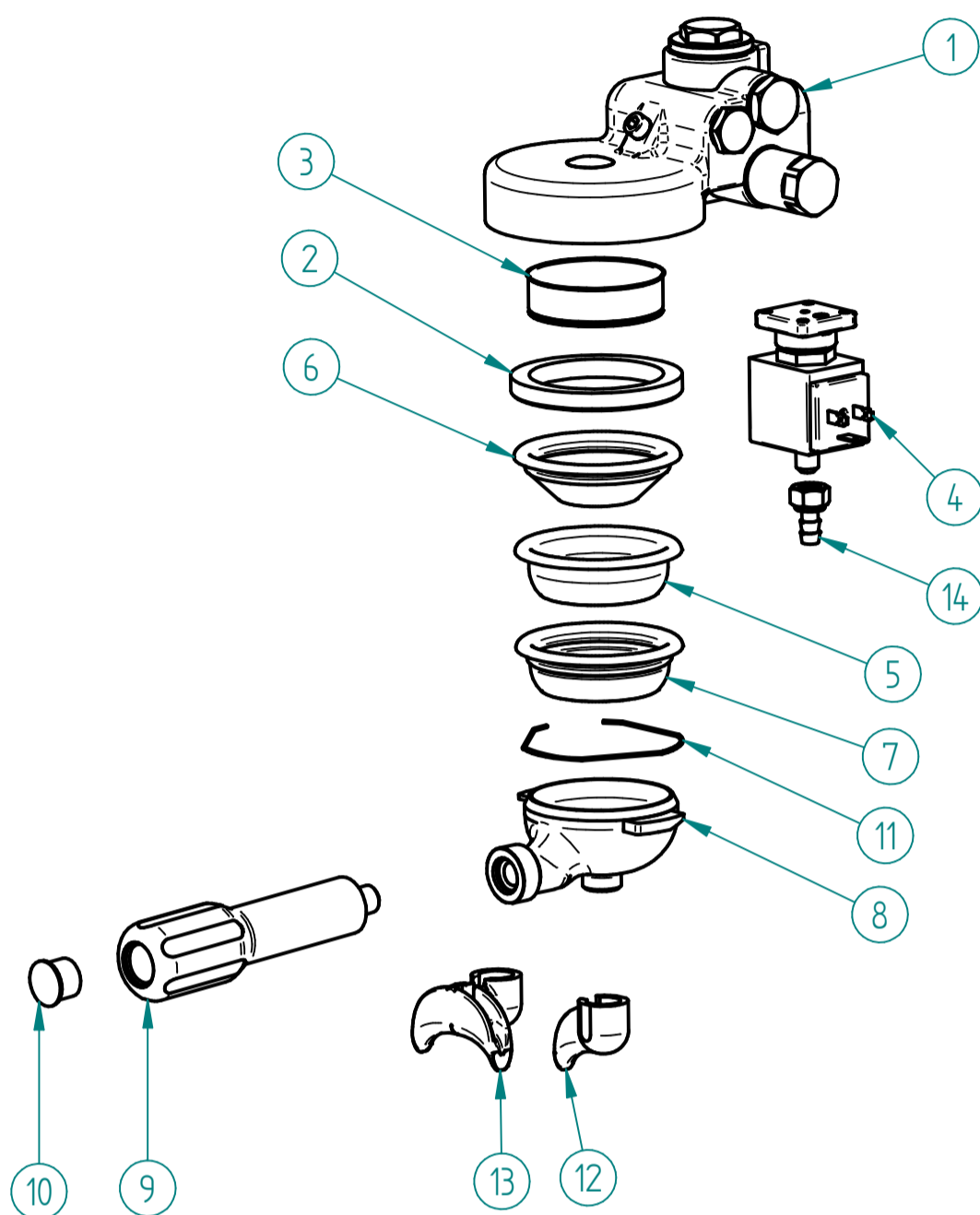
ITEM Nº	CODIGO	DESIGNAÇÃO	DESIGNATION	QUANT.
39	5.0.016.0331	TUBO TORNEIRA AGUA CROM. ATLANTIC	WATER TAP TUBE	1
40	5.0.025.0205	ORING 12,1x2,7 PORCA TUBO TORN.	ORING 12,1x2,7	1
41	5.0.016.0321	PORCA TUBO TORN. ATLANTIC	TAP TUBE NUT	1
42	5.0.000.0565	ORING 7,2X1,9 VEIO TORN. BR-03	TAP SHAFT ORING	1
43	5.0.000.0640	PONTEIRA TUBO ÁGUA	POINT OF THE WATER TUBE	1
44	5.0.000.0148	ESPALHADOR PONTEIRA ÁGUA	SPRAYER OF THE WATER POINT	1

MÁQ. CAFÉ ATLANTIC 2 CV TC ECC

ESPRESSO COFFEE MACHINE ATLANTIC 2 CV TC ECC

5 - GRUPO ECC-07 C/ ACESSORIOS

5 - ECC-07 GROUP W/ ACCESS.

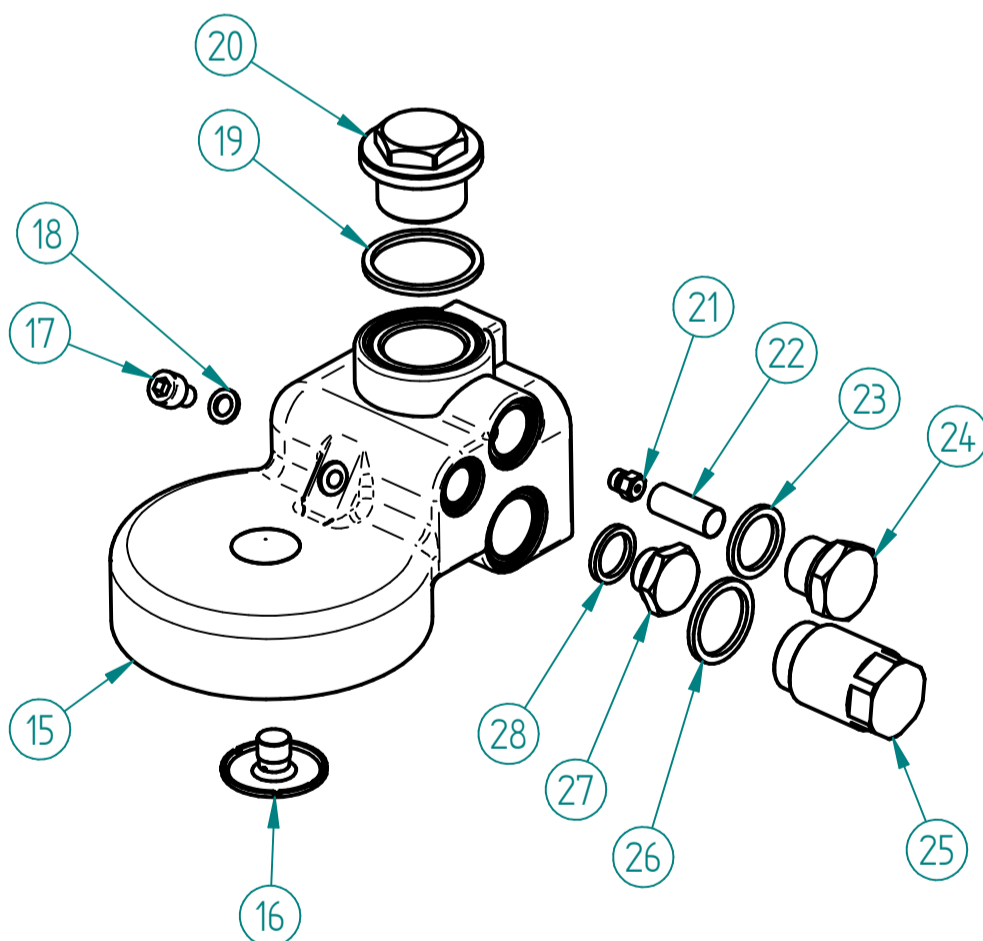


ITEM Nº	CODIGO	DESIGNAÇÃO	DESIGNATION	QUANT.
1	4.0.016.0000	GRUPO ECC-07	GROUP ECC-07	1
2	5.0.025.0012	JUNTA PORTA FILTRO 58X74X8,5MM (GR B-61/ECC-07)	FILTER HOLDER GASKET	1
3	5.0.025.0010	CRIVO GRUPO B-61/ECC-07	GROUP B-61 SIEVE	1
4	5.0.000.0123	ELECTROVALVULA 3 VIAS 230V - GRUPO	230V 3 WAY ELECTROVALVE GROUP	1
5	5.0.000.0167	FILTRO CEGO	BLIND FILTER	1
6	5.0.000.0161	FILTRO 1 BICA CONICO FIAMMA	1 COFFEE FILTER FIAMMA	1
7	5.0.000.0173	FILTRO 2 BICAS 12 GR	2 COFFEES FILTER 12 GR	1
8	5.0.000.0657	PORTA FILTRO INCLIN. - FIX. 6 MM	FILTER HOLDER	1
9	5.0.000.0655	PUNHO PORTA FILTRO INCLIN.	HANDGRIP FOR FILTER HOLDER	1
10	5.0.000.0654	TAMPA PUNHO PORTA FILTRO INCLIN.	PLUG FOR HANDGRIP	1
11	5.0.000.0411	MOLA PORTA FILTRO 1,2MM	FILTER HOLDER SPRING	1
12	5.0.000.0104	DISTRIBUIDOR 1 BICA CURVO	1 COFFEE SPECIAL OUTLET	1
13	5.0.000.0106	DISTRIBUIDOR 2 BICAS	2 COFFEES OUTLET	1
14	4.0.000.0198	RACORD DESCARGA ELECTROVALVULA	ELECTROVALVE DRAINAGE RACCORD	1

CÓDIGO	DESIGNAÇÃO	DESIGNATION
5.0.000.0651	PORTA FILTRO M12 INCLIN. CONJ. - 1 BICA	1 COFFEE FILTER HOLDER ASS.
5.0.000.0652	PORTA FILTRO M12 INCLIN. CONJ. - 2 BICAS	2 COFFEE FILTER HOLDER ASS.
5.0.000.0668	PORTA FILTRO M12 INCLIN. CONJ. - CAPSULAS	CAPSULES FILTER HOLDER ASS.

1 - 4.0.016.0000 - GRUPO ECC-07

1 - GROUP ECC-07



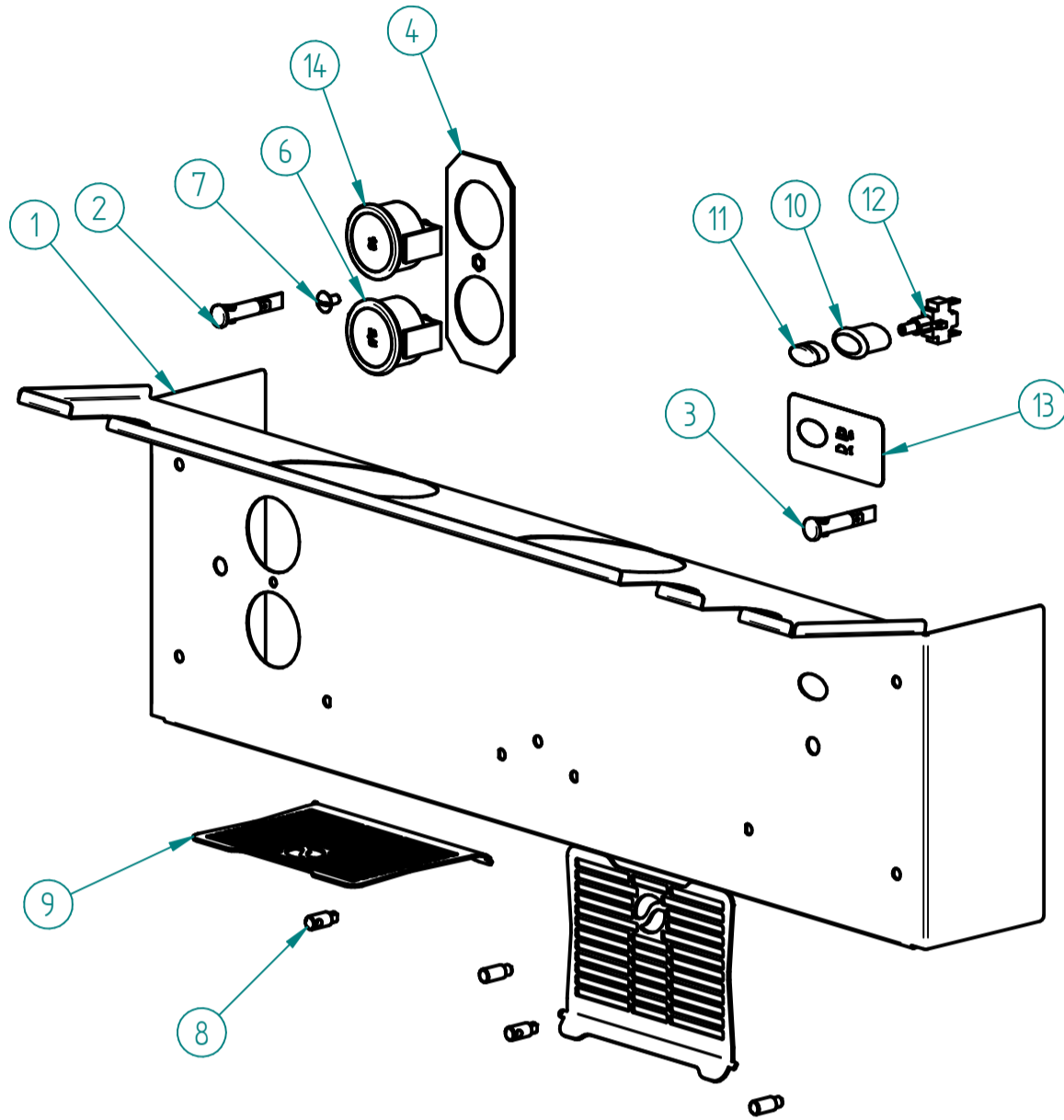
ITEM Nº	CODIGO	DESIGNAÇÃO	DESIGNATION	QUANT.
15	5.0.016.0100	CORPO GRUPO ECC-07	BODY OF THE GROUP ECC-07	1
16	5.0.025.0009	DISTRIBUIDOR GRUPO B-61/ECC-07	OUTLET GROUP B-61/ECC-07	1
17	5.0.025.0003	PARAFUSO UMBRACO M6X10 INOX (GR B-61/ECC-07)	FRONT INOX SCREW M6X10 OF THE GROUP B-61	1
18	5.0.025.0015	JUNTA TEFLON 10X6X1	TEFLON GASKET	1
19	5.0.025.0002	JUNTA TEFLON 35X30X2	TEFLON GASKET	1
20	5.0.016.0102	TAMPAO SUPERIOR M26X1,5 CROM. GR ECC-07	UPPER CHROM. COVER M26X1,5 (GR ECC-07)	1
21	5.0.016.0110	INJECTOR 0,7 M6X0,75 (GR ECC-07)	INJECTOR 0,7 M6X0,75 (GR ECC-07)	1
22	5.0.025.0023	FITRO INOX INJECTOR	GROUP GIGLEUR FILTER	1
23	5.0.025.0022	JUNTA TEFLON 22X17X2	TEFLON GASKET	1
24	5.0.025.0021	TAMPAO G3/8 CROM. (GR B-61/GR ECC-07)	CHROM. COVER G3/8 (GR B-61/GR ECC-07)	1
25	5.0.016.0105	INFUSOR GRUPO ECC-07	INFUSER OF GROUP ECC-07	1
26	5.0.016.0106	JUNTA TEFLON 26X 21X2	TEFLON GASKET	1
27	5.0.016.0104	TAMPAO LATERAL G1/4 CROM. GR ECC-07	CHROM. SIDE COVER G1/4 (GR ECC-07)	1
28	5.0.000.0315	JUNTA TEFLON 18X13,5X2MM	TEFLON GASKET	1

MÁQ. CAFÉ ATLANTIC 2 CV TC ECC

ESPRESSO COFFEE MACHINE ATLANTIC 2 CV TC ECC

14 - PAINEL FRONTAL CONJ. ATLANTIC 2 TC ECC

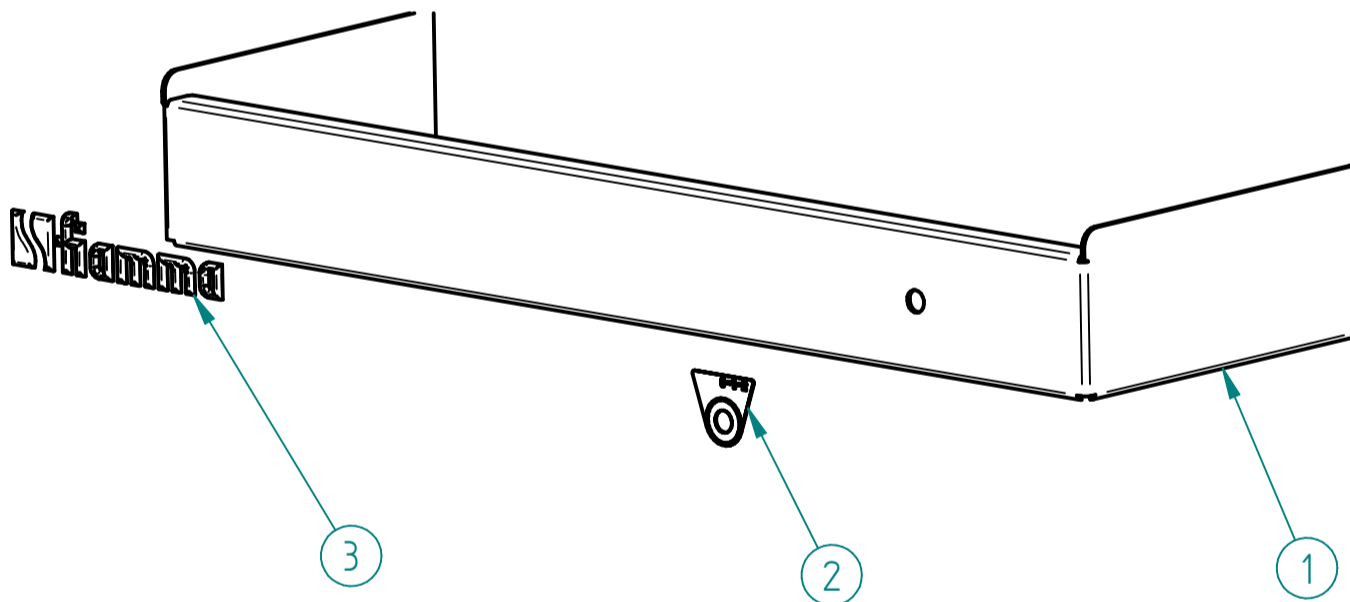
14 - FRONT PANEL ATLANTIC 2 TC ECC



ITEM Nº	CÓDIGO	DESIGNAÇÃO	DESIGNATION	QUANT.
1	7.0.017.5202	PAINEL FRONTAL ATLANTIC 2 TC ECC	FRONT PANEL ATLANTIC 2 TC ECC	1
2	4.0.025.0130	SINALIZADOR VERDE Ø10MM TERM. MACHO	GREEN LED Ø10MM	1
3	4.0.025.0135	SINALIZADOR LARANJA Ø10MM TERM. MACHO	ORANGE LED Ø10MM	1
4	7.0.016.0204	SUPORTE MANÔMETROS ATLANTIC	ATLANTIC GAUGE SUPPORT	1
6	5.0.000.0392	MANOMETRO 0-2,5BAR	PRESSURE GAUGE 0-2,5BAR	1
7	4.2.000.9116	PARAFUSO CAB. OVAL LARGA M5X10 NIQ	SCREW M5X10	1
8	7.0.016.2235	SUPORTE GRELHA CHAVENAS NV ATLANTIC TC	CUPS GRID SUPPORT	4
9	7.0.016.2237	GRELHA CHAVENAS NV ATLANTIC TALL CUPS	CUP'S GRID	2
10	4.0.000.0503	CAIXA ELIPSE D16	BOX D16 ELIPSE	1
11	4.0.000.0507	TASTO ELIPSE D16	SWITCH KEY D16	1
12	4.0.000.0510	INTERRUPTOR UNIPOLAR	UNIPOLE SWITCH	1
13	4.0.016.0060	AUTOCOLANTE GRUPO DIR. ATLANTIC	RIGHT GROUP STICKER ATLANTIC	1
14	5.0.000.0391	MANOMETRO 0-16BAR	PRESSURE GAUGE 0-16BAR	1

16 - PAINEL COMANDO INFERIOR CONJ. ATLANTIC 2 ECC

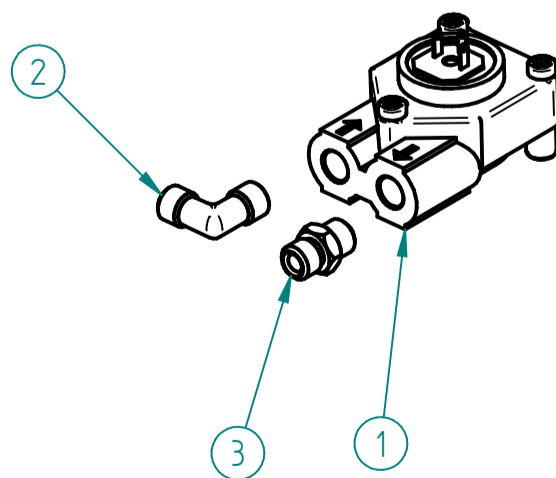
16 - LOWER CONTROL PANEL ATLANTIC 2 ECC



ITEM Nº	CÓDIGO	DESIGNAÇÃO	DESIGNATION	QUANT.
1	7.0.017.5457	PAINEL COMANDO INF. ATLANTIC 2 ECC	LOWER CONTROL PANEL ATLANTIC 2 ECC	1
2	4.0.025.0060	AUTOCOLANTE COMUTADOR PRESTIGE REVOL	SWITCH STICKER PRESTIGE REVOL	1
3	4.0.007.0068	AUTOCOLANTE FIAMMA (TRANSFER) 150MM	FIAMMA DECAL 150MM	1

20 - CONTADOR VOLUMETRICO CONJ. PRESTIGE, ATLANTIC 2/3CV ECC

20 - ASS. VOLUMETRIC DOSER PRESTIGE, ATLANTIC 2/3CV ECC



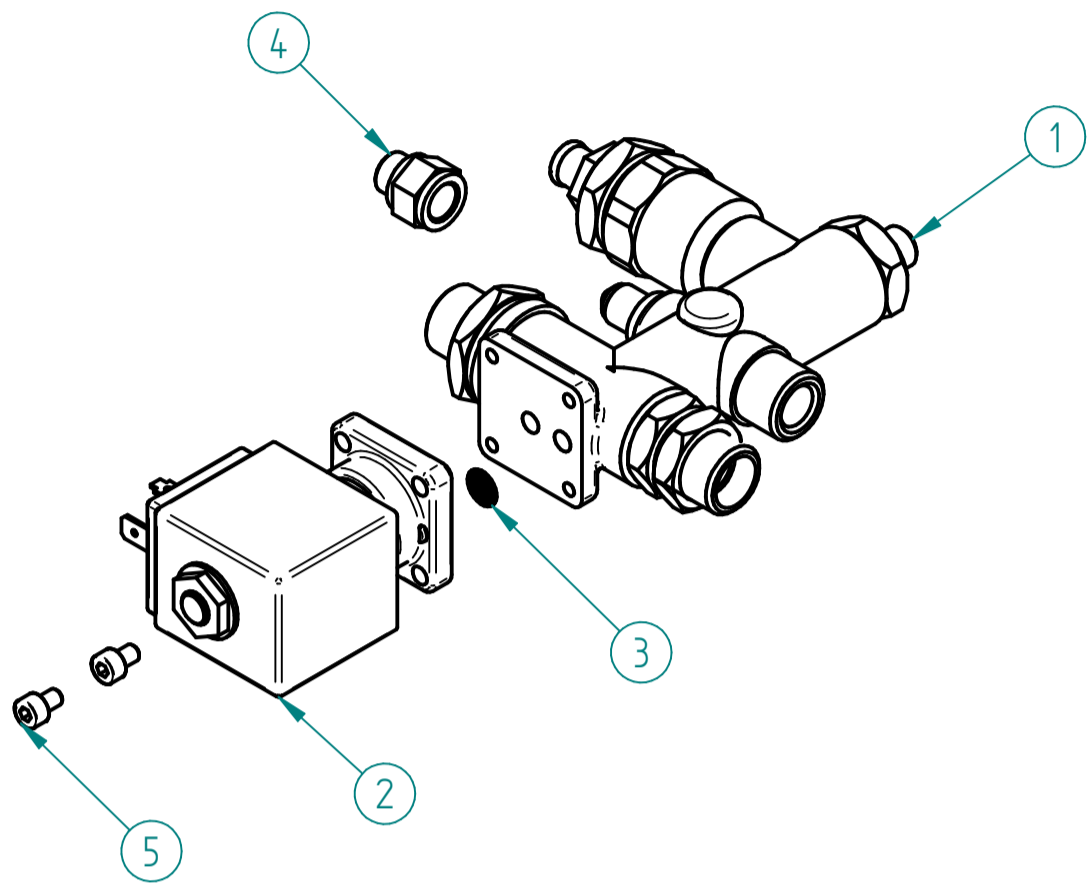
ITEM Nº	CÓDIGO	DESIGNAÇÃO	DESIGNATION	QUANT.
1	5.0.000.1012	CONTADOR VOLUMETRICO D1,15-G1/8 C/ LED	VOLUMETRIC DOSER D1,15-G1/8 W/ LED	1
2	5.0.000.0730	RACORD L G1/8-G1/8	RACORD L G1/8-G1/8	1
3	5.0.000.0725	RACORD G1/8-G1/8 NIQ.	RACORD G1/8-G1/8 NIQ.	1

MÁQ. CAFÉ ATLANTIC 2 CV TC ECC

ESPRESSO COFFEE MACHINE ATLANTIC 2 CV TC ECC

21 - 7.0.016.0065 - BLOCO ENTRADA AGUA ECC-07 (AUT.) CONJ.

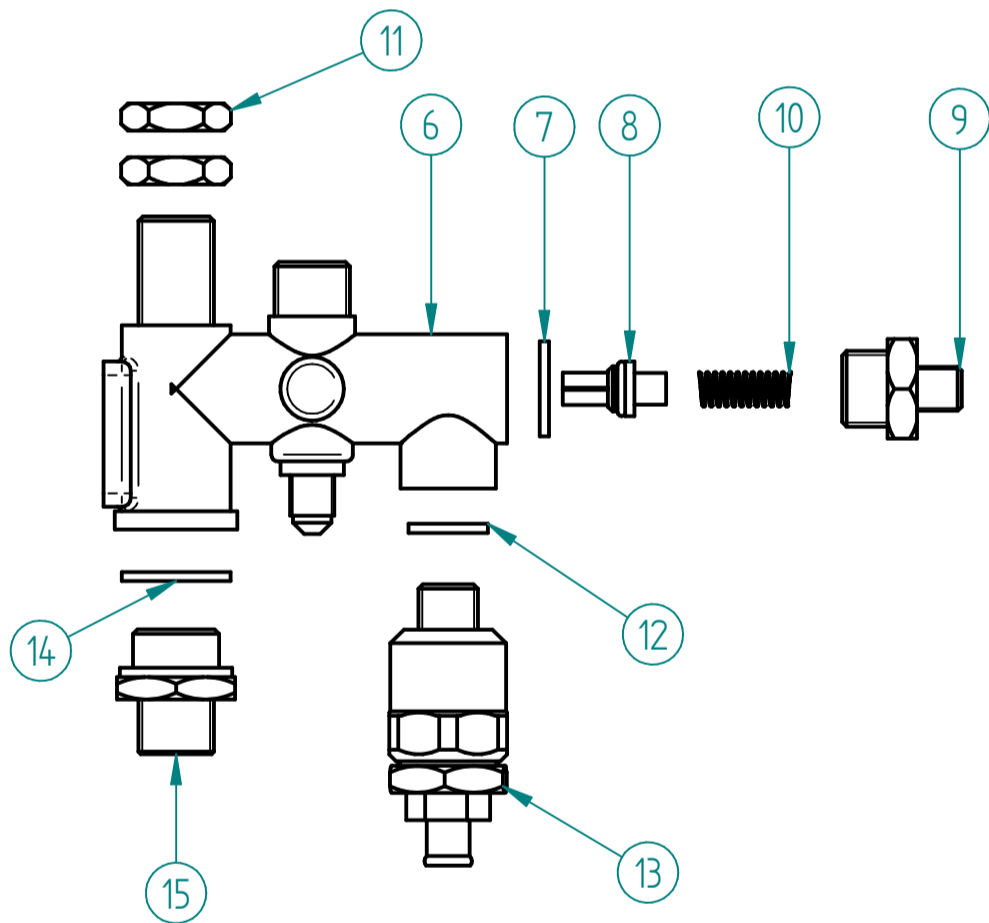
21 - WATER INLET ASS.



ITEM Nº	CÓDIGO	DESIGNAÇÃO	DESIGNATION	QUANT.
1	4.0.016.0010	BLOCO ENTRADA AGUA ECC-07 (AUT.)	WATER INLET ASS.	1
2	5.0.000.0124	ELECTROVAL. 2 VIAS 230V/50HZ-ENT. AGUA PARAL.	2 WAYS ELECTROVALVE	1
3	5.0.000.0181	FILTRO BASE ELECTROVAL. Ø9MM	ELECTROVAL. FILTER Ø9MM	1
4	5.0.000.0715	RACORD G1/8-G1/8F NIQ.	RACORD G1/8-G1/8F NIQ.	1
5	4.2.000.9606	PARAF. UMBRACO M4X6 INOX DIN912	M4X6 INOX DIN912 UMBRACO SCREW	2

1 - 4.0.016.0010 - BLOCO ENTRADA AGUA ECC-07 (AUT.)

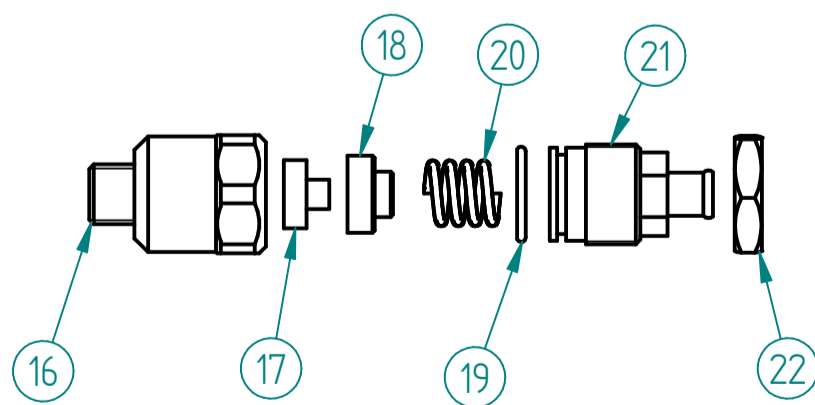
1 - WATER INLET ASS.



ITEM Nº	CODIGO	DESIGNAÇÃO	DESIGNATION	QUANT.
6	5.0.016.0200	CORPO BLOCO AUT. ECC-07	DISTRIBUTION GROUP BODY (AUT. ECC-07)	1
7	5.0.025.1386	JUNTA TEFLON 21X16,8X2	TEFLON GASKET	1
8	5.0.016.0231	VALVULA ANTI-RETORNO BLOCO ECC-07	ANTI-BACKFLOW VALVE	1
9	5.0.016.0235	RACORD G3/8-8 x G1/8 BLOCO ECC-07	RACORD G3/8XG1/8 (DISTRIB. GROUP ECC-07)	1
10	5.0.016.0234	MOLA VALVULA ANTI-RETORNO BLOCO ECC-07	ANTI-BACKFLOW VALVE SPRING	1
11	4.0.000.0045	PORCA G3/8 LATAO (SEXT. 21MM)	BRASS NUT G3/8 (21MM)	2
12	5.0.000.0315	JUNTA TEFLON 18X13,5X2MM	TEFLON GASKET	1
13	5.0.016.0220	VALVULA EXPANSAO BLOCO ECC-07	EXPANSION VALVE (DISTRIB. GROUP ECC-07)	1
14	5.0.016.0211	JUNTA TEFLON 24X19X2	TEFLON GASKET	1
15	5.0.016.0215	RACORD M20x1,5-G3/8 BLOCO ECC-07	RACORD M20X1,5-G3/8	1

8 - 5.0.016.0220 - VALVULA EXPANSÃO BLOCO ECC-07

8 - EXPANSION VALVE (DISTRIB. GROUP ECC-07)



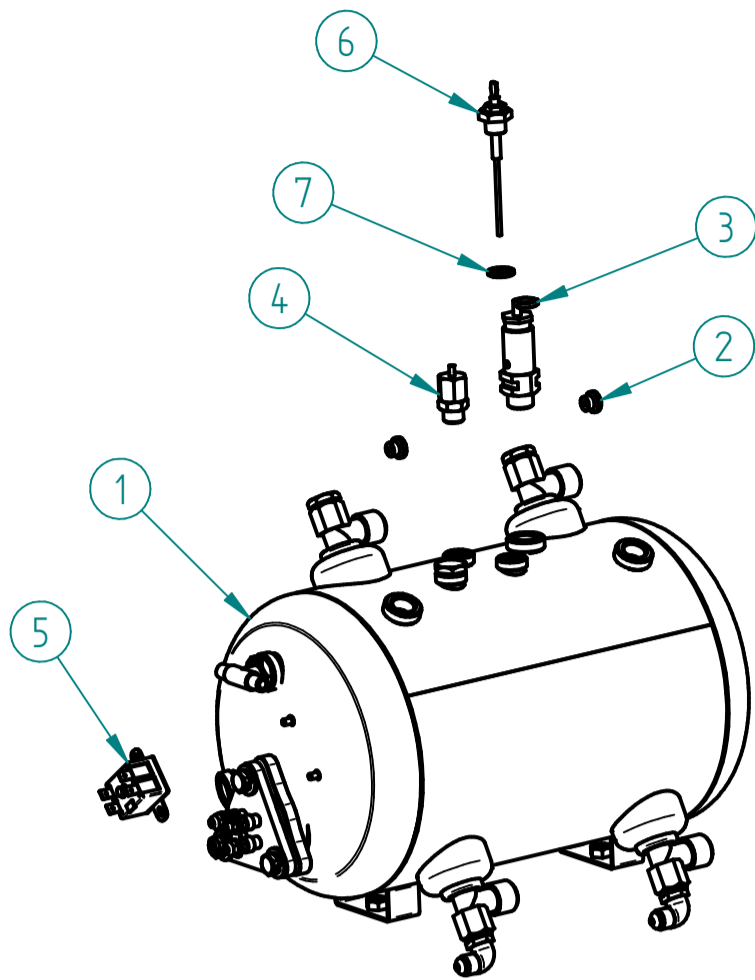
ITEM Nº	CODIGO	DESIGNAÇÃO	DESIGNATION	QUANT.
16	5.0.016.0222	CORPO VALVULA EXPAN. BLOCO ECC-07	EXPANSION VALVE BODY	1
17	5.0.016.0223	JUNTA VALVULA EXPAN. BLOCO ECC-07	EXPANSION VALVE GASKET	1
18	5.0.016.0224	SUPORTE JUNTA BLOCO ECC-07	GASKET HOLDER (DISTRIB. GROUP ECC-07)	1
19	5.0.016.0225	ORING 21X17X2	ORING 21X17X2	1
20	5.0.016.0214	MOLA 8-16KG BLOCO ECC-07	SPRING	1
21	5.0.016.0226	RACORD M22X1 VALVULA EXPAN. BLOCO ECC-07	RACORD M22X1- EXPANSION VALV.	1
22	5.0.016.0227	PORCA M22X1 LATAO	BRASS NUT M22X1	1

MÁQ. CAFÉ ATLANTIC 2 CV TC ECC

ESPRESSO COFFEE MACHINE ATLANTIC 2 CV TC ECC

25 - CALDEIRA 11LT C/ ACESSORIOS

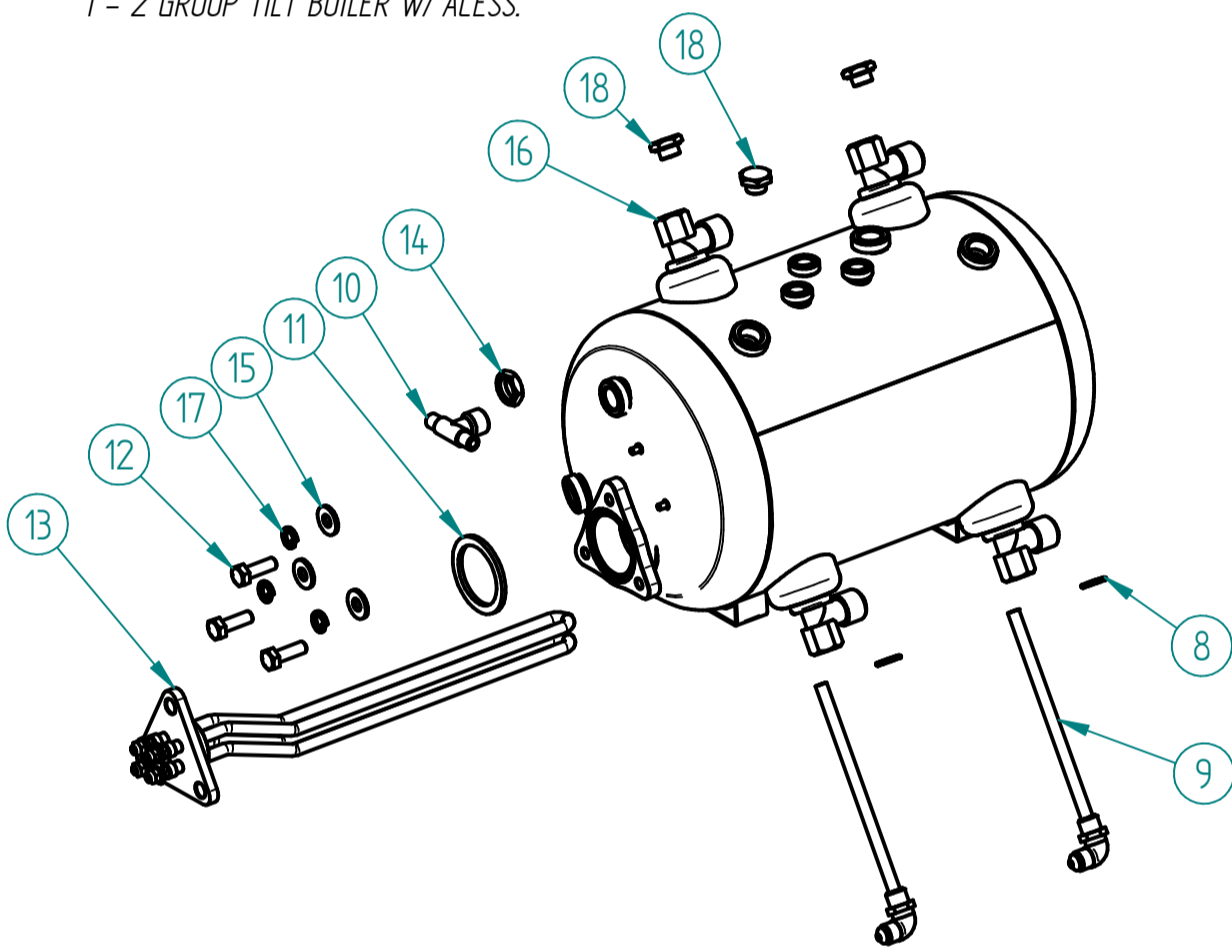
25 - 11LT BOILER W/ ACESS



ITEM N°	CÓDIGO	DESIGNAÇÃO	DESIGNATION	QUANT.
1	7.0.000.0533	CALDEIRA 2 GR 11 LT C/ ACESSORIOS	2 GROUP 11LT BOILER W/ ACESS.	1
2	5.0.000.0748	REDUTOR CAUDAL 2,5MM	FLOW REDUCER 2,5MM	2
3	4.0.000.0051	VALVULA SEGURANÇA CALDEIRA	BOILER SECURITY VALVE	1
4	5.0.000.1002	VALVULA ANTI-VACUO	ANTI VACUUM VALVE	1
5	4.0.000.0250	TERMOSTATO SEGURANÇA 130°	SAFETY THERMOSTAT 130°	1
6	7.0.016.0070	SONDA Ø2,5X105MM CONJ.	Ø2,5X105MM PROBE ASS.	1
7	5.0.000.0315	JUNTA TEFLON 18X13,5X2MM	TEFLON GASKET	1

1 - 7.0.000.0533 - CALDEIRA 2GR 11LT C/ ACESS.

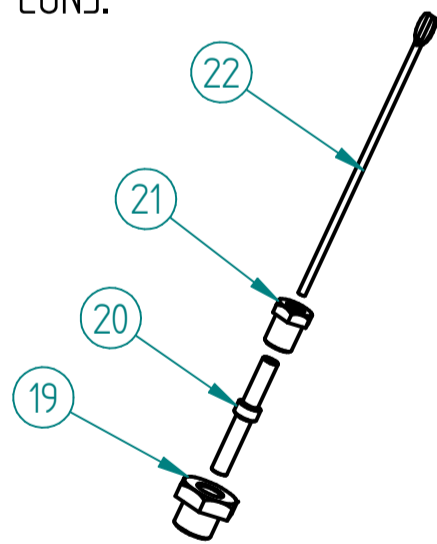
1 - 2 GROUP 11LT BOILER W/ ACESS.



ITEM N°	CÓDIGO	DESIGNAÇÃO	DESIGNATION	QUANT.
8	4.0.000.0013	ANILHA 13x17MM (G1/4) COBRE	GASKET G1/4 CU	2
9	7.0.000.0120	RACORD INJECTOR C/ TUBO	INJECTION RACORD W/ TUBE	2
10	4.0.000.0071	RACORD DUPLO G3/8-2XG1/8	DOUBLE RACCORD	1
11	5.0.000.0307	JUNTA RESISTENCIA REDONDA	HEATING ELEMENT GASKET	1
12	4.2.000.9086	PARAFUSO CAB. SEXT. M8X25 ZINC. DIN933	SCREW M8X25	3
13	5.0.000.0802	RESISTENCIA TRIANGULAR 3500W 2 GR	TRIANGULAR HEATING ELEMENT (3500 W)	1
14	4.0.000.0045	PORCA G3/8 LATAO (SEXT. 21MM)	BRASS NUT G3/8 (21MM)	1
15	7.2.000.0015	ANILHA PLANA 2X20X8,5 ZINC.	FLAT RING 2X20X8.5	3
16	7.0.000.0547	CALDEIRA 2GR 11LT (RACORD SOLD.)	2 GROUP 11LT BOILER	1
17	4.2.000.9147	ANILHA MOLA M8 ZINC. DIN127B	M8 SPRING WASHER	3
18	4.0.000.0151	TAMPAO G1/4 LATAO	BRASS COVER G1/4	3

6 - 7.0.016.0070 - SONDA Ø2,5X105 CONJ.

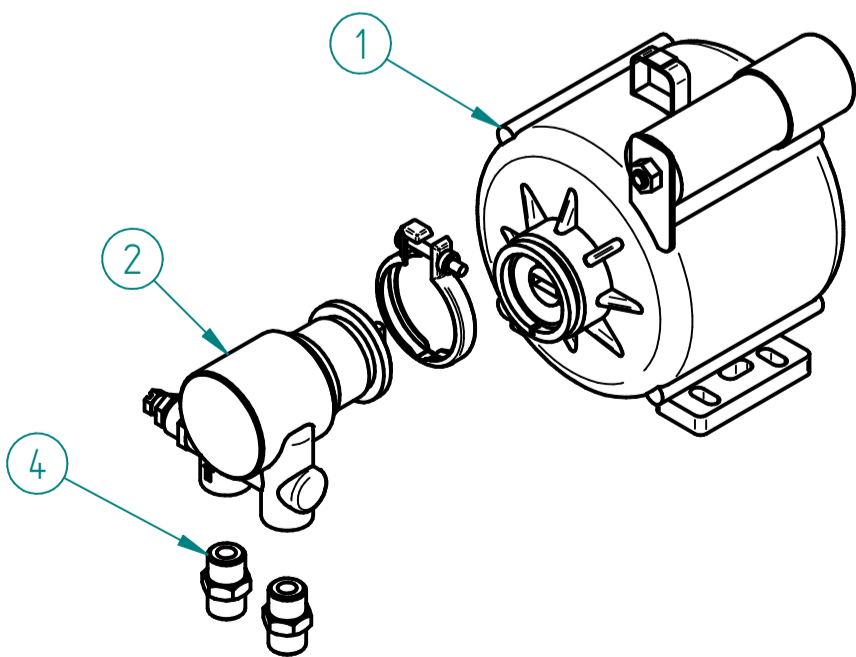
6 - Ø2,5X105 PROBE ASS.



ITEM N°	CÓDIGO	DESIGNAÇÃO	DESIGNATION	QUANT.
19	4.0.160.0060	RACORD SONDA G1/4 NIQ.	PROBE RACORD G1/4	1
20	5.0.000.0317	ISOLANTE TEFLON SONDA MAQ. CAFE	PROBE ISOLATING TEFLON	1
21	4.0.160.0061	RACORD SONDA G1/8 NIQ.	PROBE RACORD G1/8	1
22	7.0.000.0750	SONDA Ø2,5X105MM	PROBE Ø2,5X105MM	1

32 - 7.0.016.0060 - MOTOR BOMBA CONJ.

32- PUMP-MOTOR ASS.



ITEM N°	CÓDIGO	DESIGNAÇÃO	DESIGNATION	QUANT.
1	5.0.000.0460	MOTOR 230V/50HZ	MOTOR 230V 50HZ	1
2	5.0.000.0040	BOMBA AGUA	WATER PUMP	1
3*		ABRACADEIRA AUXILIAR	Auxiliary Clamp	1
4	4.0.000.0115	RACORD G3/8-G3/8 (BOMBA)	PUMP'S METAL SLEEVE	2

MÁQ. CAFÉ ATLANTIC 2 CV TC ECC

R01

ESPRESSO COFFEE MACHINE ATLANTIC 2 CV TC ECC

ESQUEMA ELECTRICO Electric Scheme

LEGENDA:

A - Interruptor geral (commutator)

P - Pressostato (pressostat)

T - Termostato segurança (safety thermostat)

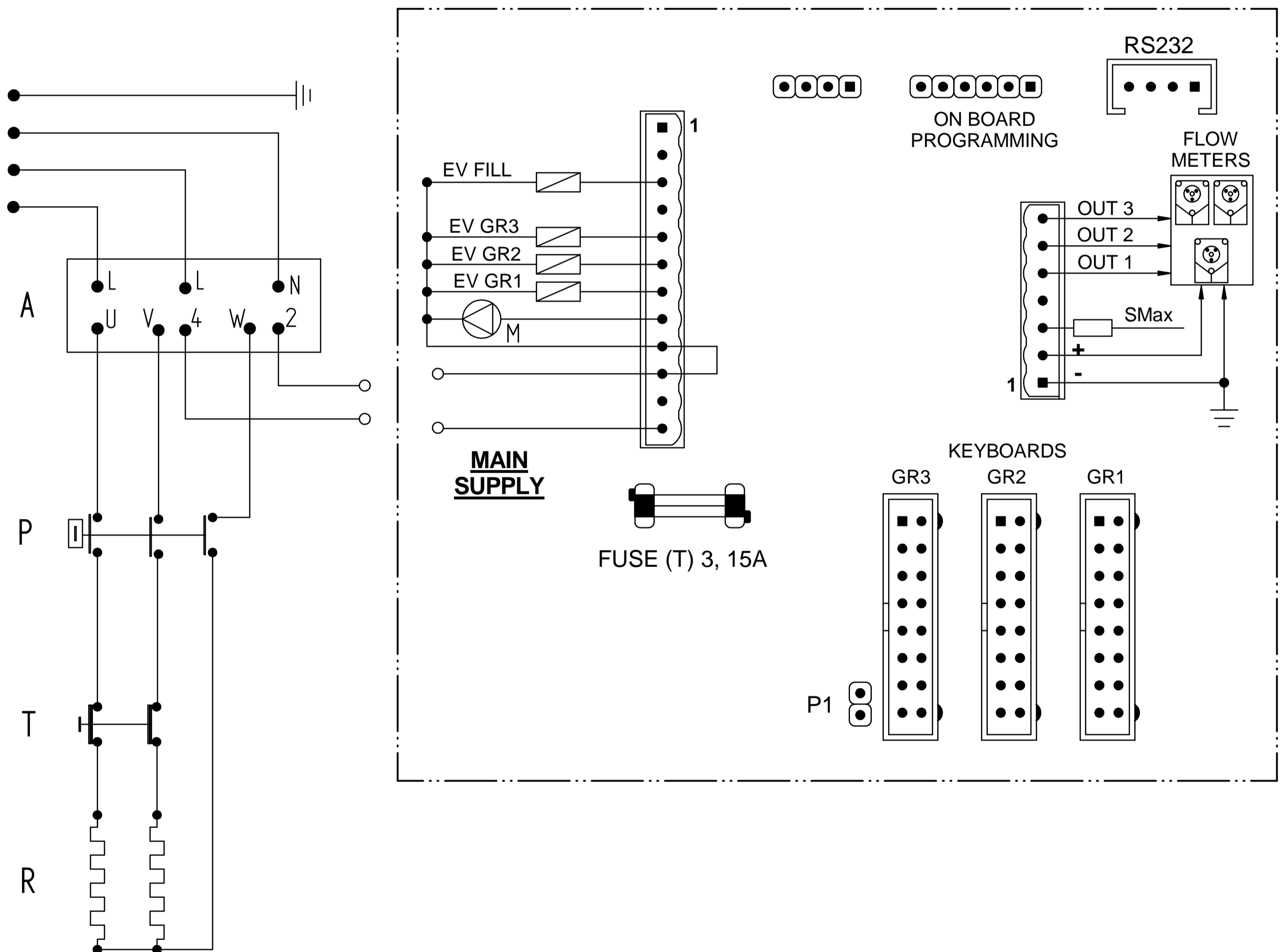
R - Resistencia (heating element)

M - Motor (motor)

S - Sonda nivel (level)

EV GR1 / GR2 / GR3 - Electrov. grupo1 / 2 / 3 (electrov. group 1/2/3)

EV FILL - Electrov. entrada agua (electrov. water inlet)



20160523



Os elementos deste desenho podem ser alterados sem aviso prévio.
This drawing may be altered without previous notice.