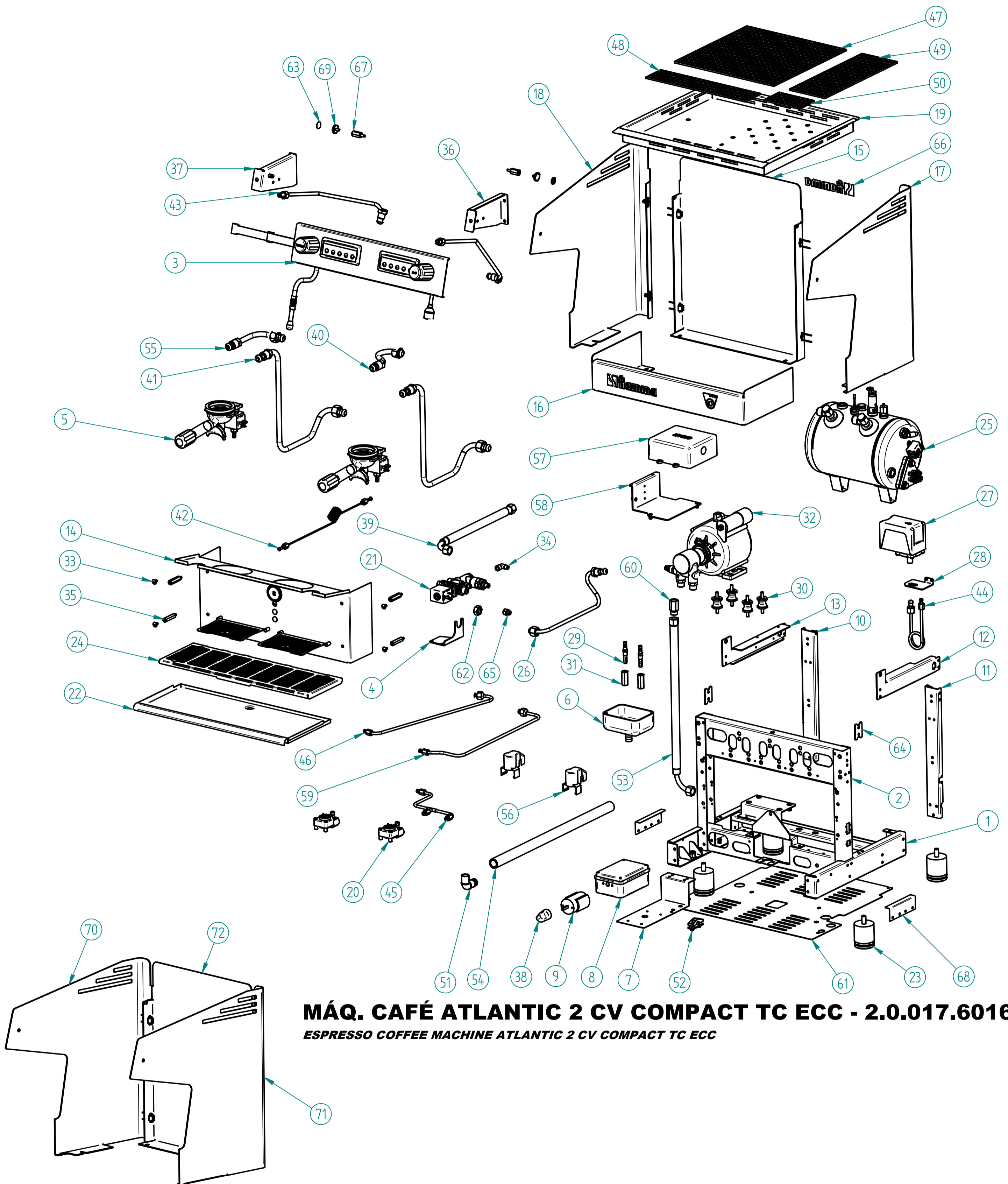




# MÁQ. CAFÉ ATLANTIC 2 CV COMPACT TC ECC

R00

ESPRESSO COFFEE MACHINE ATLANTIC 2 CV COMPACT TC ECC



**MÁQ. CAFÉ ATLANTIC 2 CV COMPACT TC ECC - 2.0.017.6016**  
 ESPRESSO COFFEE MACHINE ATLANTIC 2 CV COMPACT TC ECC

## MÁQ. CAFÉ ATLANTIC 2 CV TI COMPACT TC ECC - 2.0.017.6017

ESPRESSO COFFEE MACHINE ATLANTIC 2 CV TI COMPACT TC ECC

20160523



Os elementos deste desenho podem ser alterados sem aviso prévio.  
 This drawing may be altered without previous notice.



# MÁQ. CAFÉ ATLANTIC 2 CV COMPACT TC ECC

R00

ESPRESSO COFFEE MACHINE ATLANTIC 2 CV COMPACT TC ECC

## LISTA DE COMPONENTES E ACESSÓRIOS

### Spare parts list

ITEM Nº	CÓDIGO	DESIGNAÇÃO	DESIGNATION	QUANT.
1	7.0.016.5511	CHASSI HORIZONTAL ATLANTIC 1 ECC	HORIZONTAL CHASSIS ATLANTIC 1 ECC	1
2	7.0.016.5512	CHASSI VERTICAL ATLANTIC 1 ECC	VERTICAL CHASSIS ATLANTIC 1 ECC	1
3	PRE-MONTAGEM	PAINEL COMANDO SUPERIOR CONJ. ATLANTIC 2CV COMPACT ECC	UPPER COMMAND PANEL ASS. ATLANTIC 2CV COMPACT ECC	1
4	7.0.016.5050	SUPORTE BLOCO ATLANTIC ECC	DISTRIBUTION GROUP SUPPORT ATLANTIC ECC	1
5		GRUPO ECC-07 C/ ACESSÓRIOS	ECC-07 GROUP W/ ACESS.	2
6	4.0.000.0840	DEPOSITO ESGOTO PLASTICO	DRAIN TRAY	1
7	7.0.025.0545	SUPORTE COMUTADOR PRESTIGE REVOL.	COMMUTATOR SUPPORT	1
8	4.0.000.0910	CAIXA COMUTADOR MAQ. 2GR	COMMUTATOR BOX	1
9	5.0.000.0061	COMUTADOR (3 POS.) MAQ. CAFE	MAIN COMMUTATOR (3 POS.)	1
10	7.0.016.1054	CANTO POSTERIOR ESQ. ATLANTIC NV	LEFT REAR SUPPORT ATLANTIC NV	1
11	7.0.016.1055	CANTO POSTERIOR DIR. ATLANTIC NV	RIGHT REAR SUPPORT ATLANTIC NV	1
12	7.0.016.1540	REFORÇO LATERAL SUP. DIR. ATLANTIC REBIT	RIGHT SIDE PANEL SUPPORT	1
13	7.0.016.1542	REFORÇO LATERAL SUP. ESQ. ATLANTIC REBIT	LEFT SIDE PANEL SUPPORT	1
14	PRE-MONTAGEM	PAINEL FRONTAL CONJ. ATLANTIC 2 COMPACT TALL CUPS ECC	FRONT PANEL ATLANTIC 2 COMPACT TC ECC	1
15	7.0.016.1125	PAINEL POSTERIOR PINT. ATLANTIC 1 NV	REAR PANEL ATLANTIC 1 NV	1
16	PRE-MONTAGEM	PAINEL COMANDO INFERIOR CONJ. ATLANTIC 1 ECC	LOWER CONTROL PANEL ATLANTIC 1 ECC	1
17	7.0.016.5105	PAINEL LATERAL DIR. PINT. ATLANTIC ECC	RIGHT SIDE PANEL ATLANTIC ECC	1
18	7.0.016.5115	PAINEL LATERAL ESQ. PINT. ATLANTIC ECC	LEFT SIDE PANEL ATLANTIC ECC	1
19	7.0.016.5215	TABULEIRO SUPERIOR ATLANTIC 1 ECC	UPPER TRAY ATLANTIC 1 ECC	1
20	PRE-MONTAGEM	CONTADOR VOLUMETRICO CONJ. ATLANTIC 1CV ECC E ATLANTIC 2 CV COMPACT ECC	ASS. VOLUMETRIC DOSER ATLANTIC 1/2CV COMPACT ECC	2
21	7.0.016.0065	BLOCO ENTRADA AGUA ECC-07 (AUT.) CONJ.	WATER INLET ASS.	1
22	7.0.016.5222	TABULEIRO INFERIOR ATLANTIC 1 ECC	LOWER TRAY ATLANTIC 1 ECC	1
23	4.0.000.0803	PE MAQ. DE CAFE 50x50	FEET FOR COFFE MACHINE 50X50	4
24	7.0.016.5225	GRELHA TABULEIRO INF. ATLANTIC 1 TALL CUPS ECC	LOWER TRAY GRID ATLANTIC 1 TALL CUPS ECC	1
25		CALDEIRA 6LT C/ ACESSÓRIOS	6LT BOILER W/ ACESS.	1
26	7.0.000.0065	TUBO BLOCO CALDEIRA	TUBE DISTRIB. GROUP/BOILER	1
27	5.0.000.0680	PRESSOSTATO 30A/400V 0,5-1,4BAR	PRESSURE SWITCH 30A/400V 0,5-1,4BAR	1
28	7.0.016.1060	SUPORTE PRESSOSTATO MAQ. CAFE	PRESSURE SWITCH SUPPORT	1
29	4.0.000.0195	RACORD CAMPANULA DESCARGA GRUPO	INNER RACORD OF THE DRAINAGE ASSEMBLY	2
30	4.0.000.0032	APOIO MOTOR	MOTOR SUPPORT	4
31	4.0.000.0190	CAMPANULA DESCARGA GRUPO	OUTER RACORD OF THE DRAINAGE ASSEMBLY	2
32	7.0.016.0060	MOTOR BOMBA CONJ.	PUMP-MOTOR ASS.	1
33	4.2.000.9116	PARAFUSO CAB. OVAL LARGA M5X10 NIQ	SCREW M5X10	4
34	5.0.000.0728	RACORD L G1/8-G1/8F	RACORD L G1/8-G1/8F	1
35	4.0.028.0070	SEPARADOR BLINDAGEM ELECTROV. GRUPOS	SHIELD GROUP SEPARATOR	4
36	7.0.016.5142	LATERAL PAINEL COM. SUP. DIR. ATLANTIC ECC	RIGH SUPPORT UPPER CONTROL PANEL ATLANTIC ECC	1
37	7.0.016.5145	LATERAL PAINEL COM. SUP. ESQ. ATLANTIC ECC	LEFT SUPPORT UPPER CONTROL PANEL ATLANTIC ECC	1
38	4.0.025.0015	MANIPULO COMUTADOR	SWITCH FOR MAIN COMMUTATOR	1
39	5.0.000.0912	TUBO LIGAÇÃO BOMBA C/ CURVA 330MM	PUMP CONNECTION W/ ELBOW 330MM	1
40	7.0.000.0056	TUBO SUP. CART. 1ºGR (DIR.) COMPACT	TUBE CARTRIDGE/GROUP	1
41	5.0.000.0947	TUBO INFEROR CARTUCHO GRUPO 12mm	LOWER TUBE CARTRIDGE/GROUP 12MM	2
42	7.0.000.0022	TUBO CAPILAR 1,27X2,5X1000	CAPILLARY TUBE	1
43	7.0.000.0041	TUBO CALDEIRA TORN. AGUA ATLANTIC	TUBE BOILER/WATER TAP	2
44	7.0.000.0051	TUBO CALDEIRA PRESSOSTATO REVOL./ATLANTIC	TUBE BOILER/PRESSURE SWITCH	1
45	7.0.000.0105	TUBO BLOCO CONT. VOL. 2GR COMPACT	TUBE DISTRIB. GROUP/VOL. DOSER 2GR	1
46	7.0.000.0113	TUBO CONT. VOL. INJETOR DIR. (1GR/3GR)	TUBE VOL. DOSER/INJECTOR	1
47	4.0.025.0110	GRELHA PLASTICO 20X20	UPPER TRAY PLASTIC GRID 20X20	1
48	7.0.016.1240	GRELHA PLASTICO 20x4 ATLANTIC NV	UPPER TRAY PLASTIC GRID 20X4	1
49	7.0.009.0122	GRELHA PLASTICO 20X7 EUROPA 1 / ATLANTIC 1	UPPER TRAY PLASTIC GRID 20X7	1
50	7.0.016.1242	GRELHA PLASTICO 7x4 ATLANTIC 1 NV	UPPER TRAY PLASTIC GRID 7X4	1
51	4.0.000.0845	RACORD L DEPOSITO ESGOTO PLASTICO	ANGLE RACORD	1
52	4.0.000.0495	CERRA CABOS PA 238	CABLE FASTENER PA238	1
53	4.0.000.0818	TUBO ALIMENTAÇÃO C/ CURVA 1500MM	WATER INLET PIPE 1500MM	1
54	4.0.000.0222	TUBO ESGOTO	DRAIN TUBE	1
55	5.0.025.6484	TUBO SUP. CART. 2ºGR (ESQ/CENT) EVOL./3ºGR (ESQ) REVOL.	TUBE CARTRIDGE/GROUP	1
56	5.0.000.1013	BLINDAGEM CONTADOR VOLUMETRICO	SHIELD VOLUMETRIC DOSER	2
57	4.0.000.0953	UNIDADE ELECTRONICA GICAR	ELECTRONIC UNIT	1
58	7.0.016.0365	SUPORTE UNIDADE ELECT. GICAR 1GR	GICAR ELECTRONIC UNIT SUPPORT	1
59	7.0.000.0111	TUBO CONT. VOL. INJETOR ESQ. (2GR/3GR)	TUBE VOL. DOSER/INJECTOR	1
60	4.0.000.0040	PORTA FILTRO ENT. AGUA C/ FILTRO NIPLESS	FILTER HOLDER OF WATER INLET	1
61	7.0.016.5070	BLINDAGEM FUNDO ATLANTIC 1 ECC	BOTTOM SHIELD ATLANTIC 1 ECC	1
62	4.0.016.0014	TAMPAO G3/8F LATAO	BRASS COVER G3/8F	1
63	4.0.016.5056	AUTOCOLANTE PAINEL LAT. ATLANTIC ECC	SIDE PANEL STICKER ATLANTIC ECC	2
64	7.0.016.5519	CHAPA COMPENSAÇÃO CHASSI VERT. ATLANTIC ECC	COMPENSATION PLATE VERT. CHASSIS ATLANTIC ECC	2
65	5.0.000.0715	RACORD G1/8-G1/8F NIQ.	RACORD G1/8-G1/8F NIQ.	1
66	4.0.007.0068	AUTOCOLANTE FIAMMA (TRANSFER) 150MM	FIAMMA DECAL 150MM	1
67	4.0.016.5052	SEPARADOR PAINEL LAT. ATLANTIC ECC	SIDE PANEL SEPARATOR ATLANTIC ECC	2
68	7.0.016.5223	SUPORTE TABULEIRO INF. ATLANTIC ECC	LOWER TRAY SUPPORT ATLANTIC ECC	2
69	4.0.016.5054	PARAFUSO PAINEL LAT. ATLANTIC ECC	SCREW SIDE PANEL ATLANTIC ECC	2
70	7.0.016.5415	PAINEL LATERAL ESQ. INOX ATLANTIC ECC	LEFT SIDE PANEL ATLANTIC ECC - STAINLESS STEEL	1
71	7.0.016.5405	PAINEL LATERAL DIR. INOX ATLANTIC ECC	RIGHT SIDE PANEL ATLANTIC ECC - STAINLESS STEEL	1
72	7.0.016.1425	PAINEL POSTERIOR INOX ATLANTIC 1 NV	REAR PANEL ATLANTIC 1 - STAINLESS STEEL	1

20160523



Os elementos deste desenho podem ser alterados sem aviso prévio.  
This drawing may be altered without previous notice.

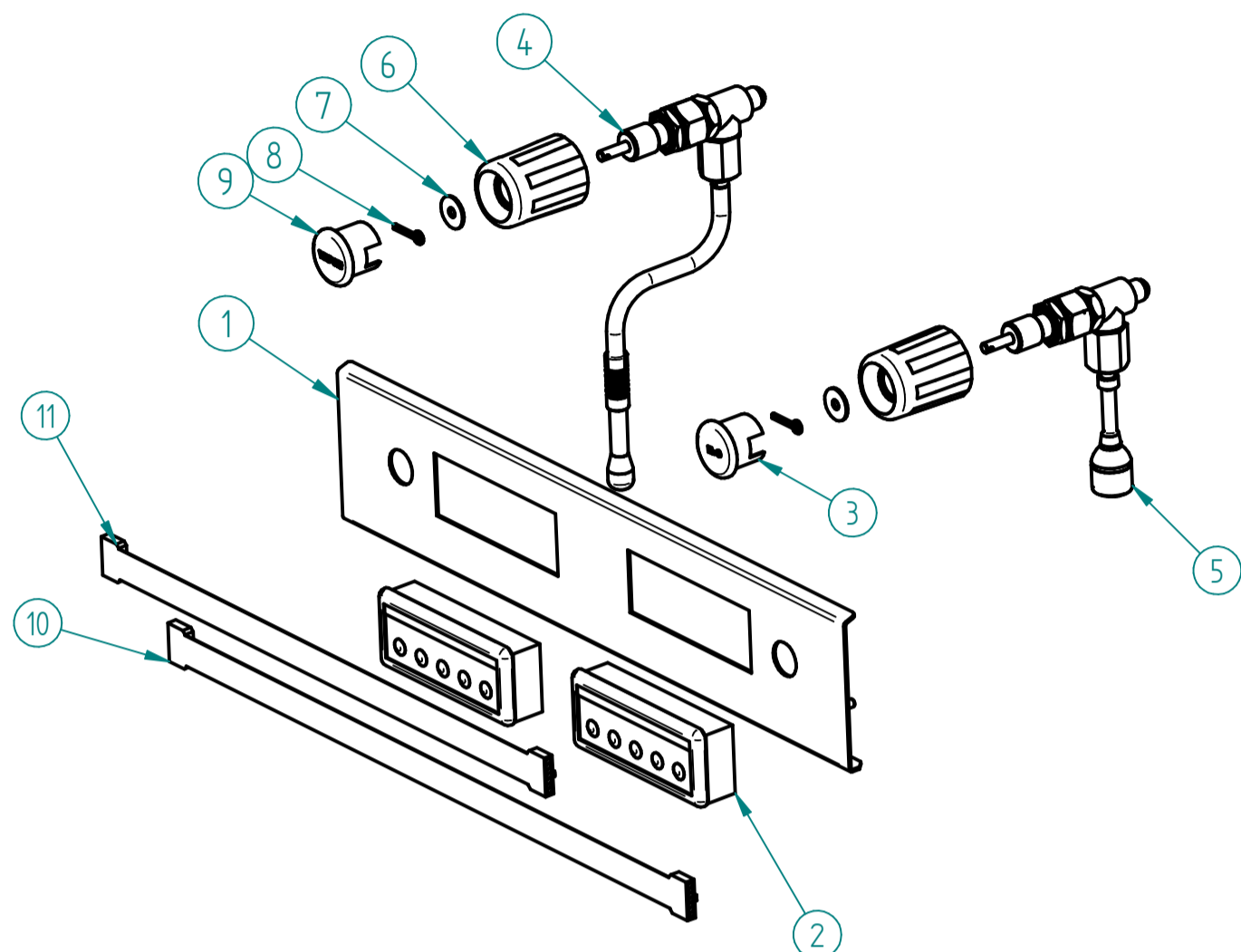
# MÁQ. CAFÉ ATLANTIC 2 CV COMPACT TC ECC

R00

ESPRESSO COFFEE MACHINE ATLANTIC 2 CV COMPACT TC ECC

## 3 - PAINEL COMANDO SUPERIOR CONJ. ATLANTIC 1CV ECC

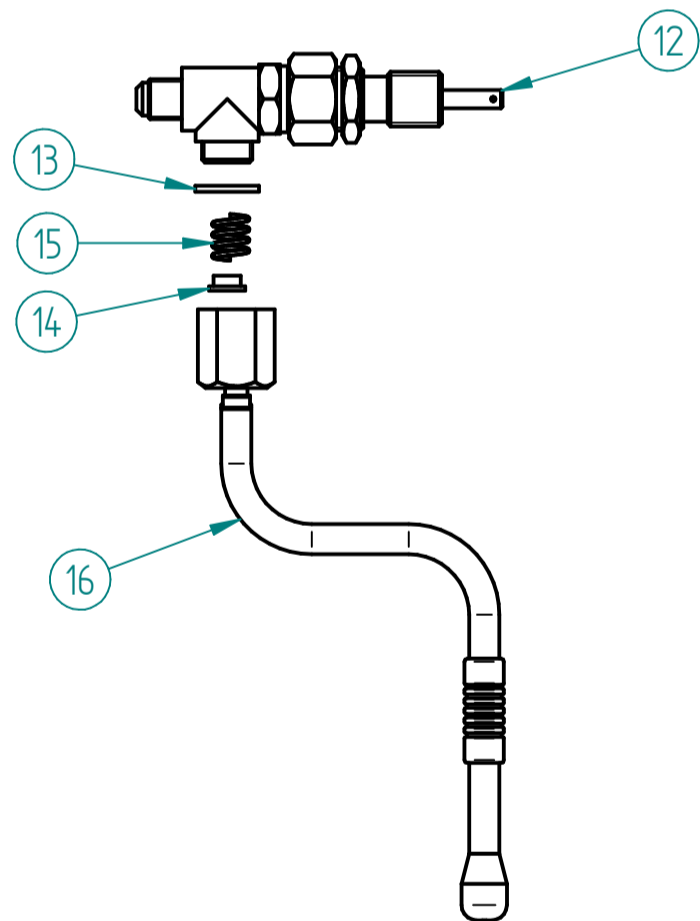
3 - UPPER COMMAND PANEL ASS. ATLANTIC 1 CV ECC



ITEM Nº	CÓDIGO	DESIGNAÇÃO	DESIGNATION	QUANT.
1	7.0.017.6487	PAINEL COMANDO SUP. ATLANTIC 2 CV COMPACT ECC	UPPER CONTROL PANEL ATLANTIC 2CV COMPACT ECC	1
2	4.0.000.0955	TECLADO 5T LED VERM. GICAR	KEYBOARD	2
3	4.0.016.0028	TAMPAO MAN. TORN. ECC-07 (AGUA)	ECC-07 TAP HANDLE COVER (WATER)	1
4	4.0.016.0020	TORNEIRA ECC-07 G1/4-G1/8F (CONJ. VAPOR)	STEAM TAP ASS. ECC-07	1
5	4.0.016.0021	TORNEIRA ECC-07 G1/4-G1/8F (CONJ. AGUA)	WATER TAP ASS. ECC-07	1
6	4.0.016.0023	MANIPULO TORNEIRA ECC-07	TAP HANDLE	2
7	4.0.016.0024	ANILHA LATAO 1,3MM MAN. TORN. ECC-07	MS WASHER 1,3MM	2
8	4.0.016.0025	GOLPILHA INOX MAN. TORN. ECC-07	TAP ECC-07 LOCKER	2
9	4.0.016.0027	TAMPAO MAN. TORN. ECC-07 (VAPOR)	ECC-07 TAP HANDLE COVER (STEAM)	1
10	4.0.000.0972	CABO UNIDADE ELECTR. TECLADO 16 PIN 850MM	CABLE FOR ELECTR. UNIT KEYBOARD 16 PIN 850MM	1
11	4.0.000.0971	CABO UNIDADE ELECTR. TECLADO 16 PIN 600MM	CABLE FOR ELECTR. UNIT KEYBOARD 16 PIN 600MM	1

### 4 - 4.0.016.0020 - TORNEIRA ECC-07 G1/4-G1/8F (CONJ. VAPOR)

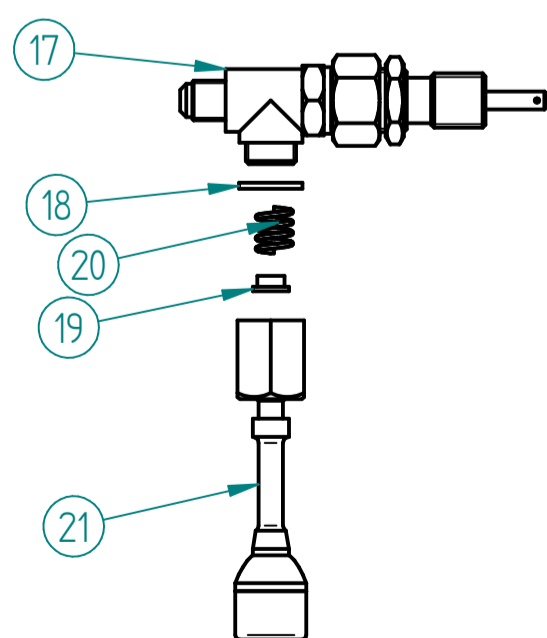
4 - STEAM TAP ASS. ECC-07



ITEM Nº	CODIGO	DESIGNAÇÃO	DESIGNATION	QUANT.
12	5.0.016.0350	TORNEIRA ECC-07 G1/4-G1/8F	TAP ECC-07	1
13	5.0.025.1386	JUNTA TEFLON 21X16,8X2	TEFLON GASKET	1
14	5.0.025.6508	GUIA MOLA TUBO AGUA/VAPOR TORN. EVOL.	GUIDE BUSH	1
15	5.0.025.7060	MOLA TUBO AGUA/VAPOR TORN. EVOL.	SPRING TAP	1
16	5.0.016.0320	TUBO TORNEIRA VAPOR ATLANTIC (CONJ.)	STEAM TAP TUBE ASS.	1

### 5 - 4.0.016.0021 - TORNEIRA ECC-07 G1/4-G1/8F (CONJ. AGUA)

5 - WATER TAP ASS. ECC-07



ITEM Nº	CODIGO	DESIGNAÇÃO	DESIGNATION	QUANT.
17	5.0.016.0350	TORNEIRA ECC-07 G1/4-G1/8F	TAP ECC-07	1
18	5.0.025.1386	JUNTA TEFLON 21X16,8X2	TEFLON GASKET	1
19	5.0.025.6508	GUIA MOLA TUBO AGUA/VAPOR TORN. EVOL.	GUIDE BUSH	1
20	5.0.025.7060	MOLA TUBO AGUA/VAPOR TORN. EVOL.	SPRING TAP	1
21	5.0.016.0330	TUBO TORNEIRA AGUA ATLANTIC (CONJ.)	WATER TAP TUBE ASS.	1

20160523



Os elementos deste desenho podem ser alterados sem aviso prévio.  
This drawing may be altered without previous notice.

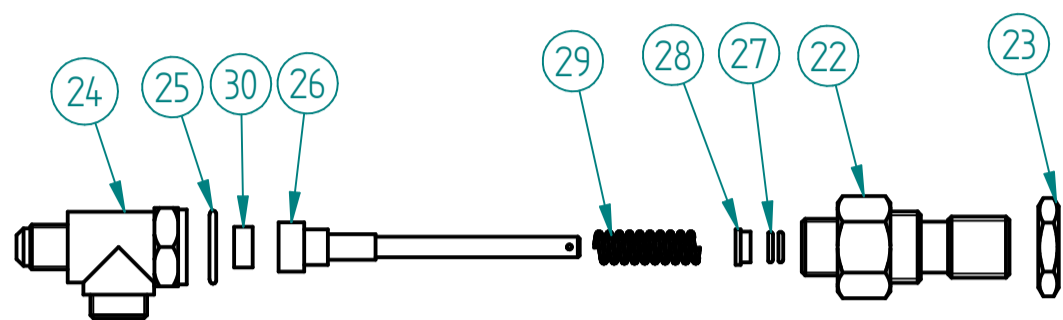
# MÁQ. CAFÉ ATLANTIC 2 CV COMPACT TC ECC

R00

ESPRESSO COFFEE MACHINE ATLANTIC 2 CV COMPACT TC ECC

12 / 17 - 5.0.016.0350 - TORNEIRA ECC-07 G1/4-G1/8F

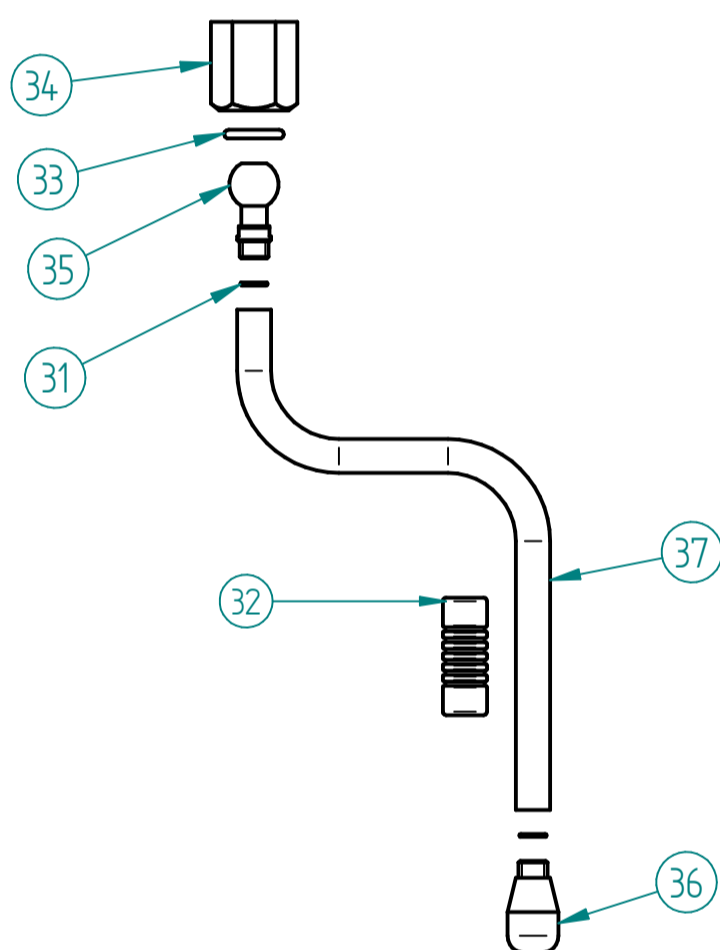
12 / 17 - TAP ECC-07



ITEM Nº	CODIGO	DESIGNAÇÃO	DESIGNATION	QUANT.
22	5.0.016.0304	RACORD FRONTAL TORN. ECC-07	FRONT ECC-07 TAP RACORD	1
23	4.0.155.0015	PORCA G1/2 LATAO	BRASS NUT G1/2	1
24	5.0.016.0300	CORPO TORNEIRA ECC-07	BODY OF THE TAP ECC-07	1
25	5.0.016.0303	JUNTA COBRE 22X17X2MM TORN. ECC-07	TAP GASKET	1
26	5.0.016.0308	VEIO TORNEIRA ECC-07	TAP ECC-07 SHAFT	1
27	5.0.016.0306	ORING VEIO TORN. ECC-07	TAP SHAFT ORING	2
28	5.0.016.0305	CASQUILHO VEIO TORN. ECC-07	METAL SLEEVE	1
29	5.0.016.0302	MOLA VEIO TORN. ECC-07	TAP SHAFT SPRING	1
30	5.0.016.0301	VEDANTE BORRACHA TORN. ECC-07	TAP ECC-07 GASKET	1

16 - 5.0.016.0320 - TUBO TORNEIRA VAPOR ATLANTIC (CONJ.)

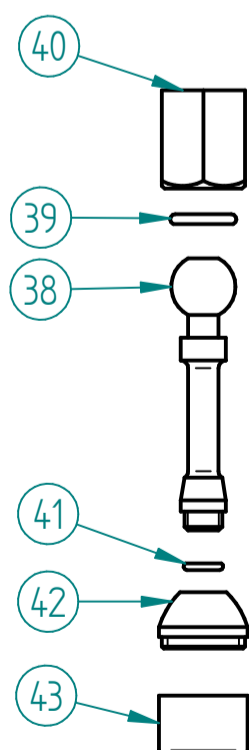
16 - STEAM TAP TUBE ASS.



ITEM Nº	CODIGO	DESIGNAÇÃO	DESIGNATION	QUANT.
31	5.0.016.0323	ORING 6X1 TUBO VAPOR ATLANTIC	ORING 6X1	2
32	4.0.000.0814	PINÇA ISOLANTE TUBO VAPOR 10MM	INSULATING HANDGRIP 10MM	1
33	5.0.025.0205	ORING 12,1x2,7 PORCA TUBO TORN.	ORING 12,1x2,7	1
34	5.0.016.0321	PORCA TUBO TORN. ATLANTIC	TAP TUBE NUT	1
35	5.0.016.0326	ROTULA TUBO TORN. ATLANTIC M8,5X0,75	RACORD W/ SPHERE M8,5X0,75	1
36	5.0.028.0328	ESPALHADOR VAPOR TORN. PACIFIC M8,5X0,75 - 3 FUROS	SPRAYER OF THE STEAM TAP - 3 HOLES	1
37	5.0.016.0327	TUBO TORNEIRA VAPOR ATLANTIC M8,5X0,75	STEAM TAP TUBE M8,5X0,75	1

21 - 5.0.016.0330 - TUBO TORNEIRA AGUA ATLANTIC (CONJ.)

21 - WATER TAP TUBE ASS.



ITEM Nº	CODIGO	DESIGNAÇÃO	DESIGNATION	QUANT.
38	5.0.016.0331	TUBO TORNEIRA AGUA CROM. ATLANTIC	WATER TAP TUBE	1
39	5.0.025.0205	ORING 12,1x2,7 PORCA TUBO TORN.	ORING 12,1x2,7	1
40	5.0.016.0321	PORCA TUBO TORN. ATLANTIC	TAP TUBE NUT	1
41	5.0.000.0565	ORING 7,2X1,9 VEIO TORN. BR-03	TAP SHAFT ORING	1
42	5.0.000.0640	PONTEIRA TUBO ÁGUA	POINT OF THE WATER TUBE	1
43	5.0.000.0148	ESPALHADOR PONTEIRA ÁGUA	SPRAYER OF THE WATER POINT	1

20160523



Os elementos deste desenho podem ser alterados sem aviso prévio.  
This drawing may be altered without previous notice.



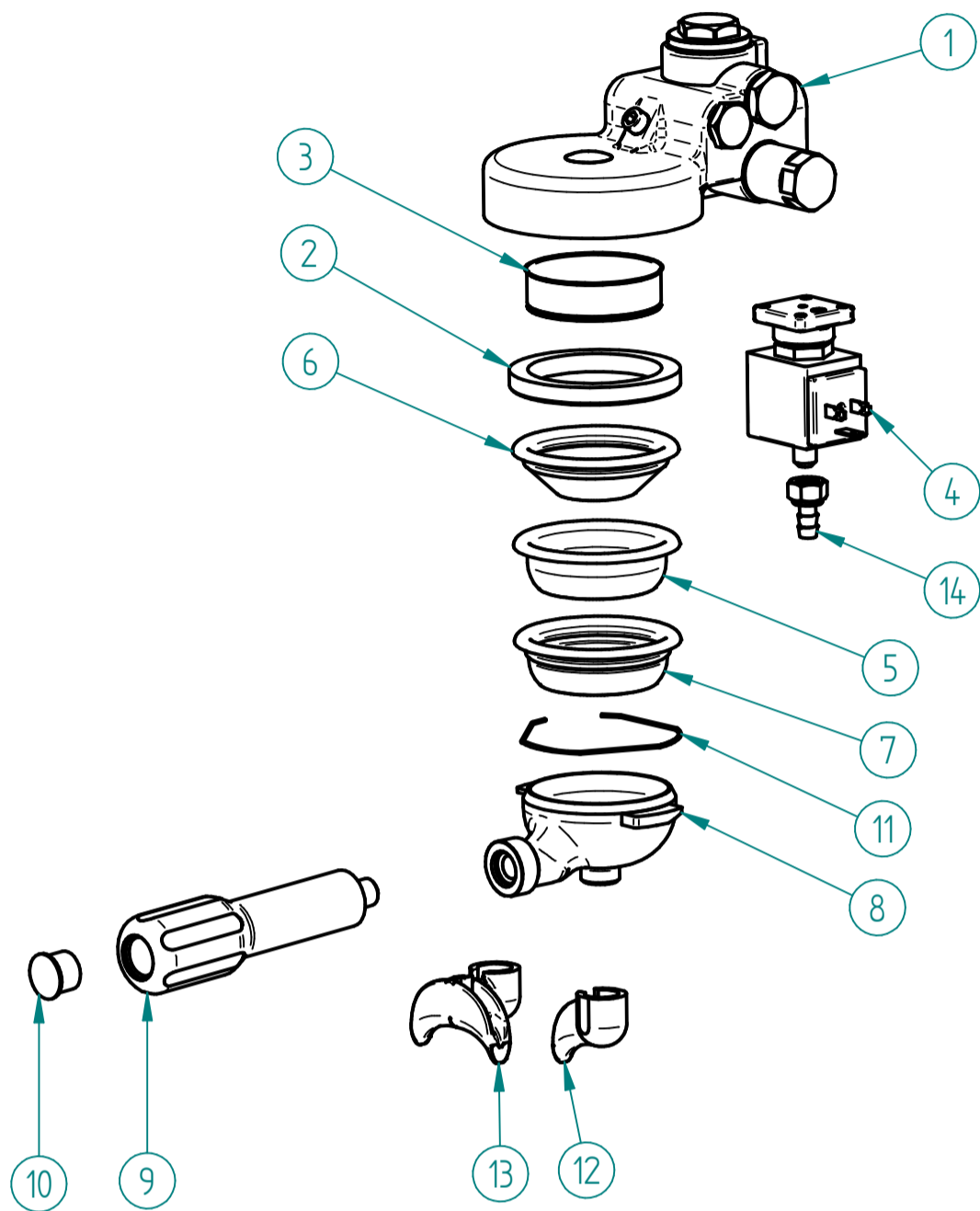
# MÁQ. CAFÉ ATLANTIC 2 CV COMPACT TC ECC

R00

ESPRESSO COFFEE MACHINE ATLANTIC 2 CV COMPACT TC ECC

## 5 - GRUPO ECC-07 C/ ACESSORIOS

5 - ECC-07 GROUP W/ ACCESS.

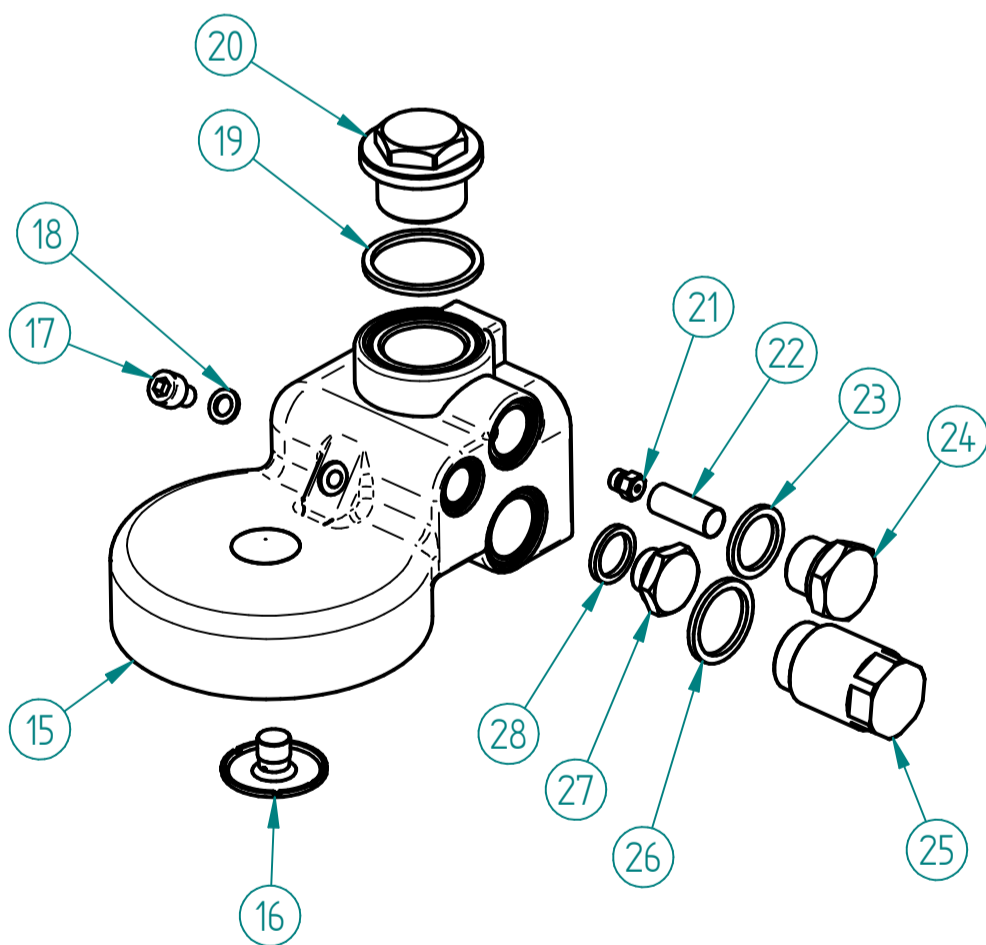


ITEM Nº	CODIGO	DESIGNAÇÃO	DESIGNATION	QUANT.
1	4.0.016.0000	GRUPO ECC-07	GROUP ECC-07	1
2	5.0.025.0012	JUNTA PORTA FILTRO 58X74X8,5MM (GR B-61/ECC-07)	FILTER HOLDER GASKET	1
3	5.0.025.0010	CRIVO GRUPO B-61/ECC-07	GROUP B-61 SIEVE	1
4	5.0.000.0123	ELECTROVALVULA 3 VIAS 230V - GRUPO	230V 3 WAY ELECTROVALVE GROUP	1
5	5.0.000.0167	FILTRO CEGO	BLIND FILTER	1
6	5.0.000.0161	FILTRO 1 BICA CONICO FIAMMA	1 COFFEE FILTER FIAMMA	1
7	5.0.000.0173	FILTRO 2 BICAS 12 GR	2 COFFEES FILTER 12 GR	1
8	5.0.000.0657	PORTA FILTRO INCLIN. - FIX. 6 MM	FILTER HOLDER	1
9	5.0.000.0655	PUNHO PORTA FILTRO INCLIN.	HANDGRIP FOR FILTER HOLDER	1
10	5.0.000.0654	TAMPA PUNHO PORTA FILTRO INCLIN.	PLUG FOR HANDGRIP	1
11	5.0.000.0411	MOLA PORTA FILTRO 1,2MM	FILTER HOLDER SPRING	1
12	5.0.000.0104	DISTRIBUIDOR 1 BICA CURVO	1 COFFEE SPECIAL OUTLET	1
13	5.0.000.0106	DISTRIBUIDOR 2 BICAS	2 COFFEES OUTLET	1
14	4.0.000.0198	RACORD DESCARGA ELECTROVALVULA	ELECTROVALVE DRAINAGE RACCORD	1

CÓDIGO	DESIGNAÇÃO	DESIGNATION
5.0.000.0651	PORTA FILTRO M12 INCLIN. CONJ. - 1 BICA	1 COFFEE FILTER HOLDER ASS.
5.0.000.0652	PORTA FILTRO M12 INCLIN. CONJ. - 2 BICAS	2 COFFEE FILTER HOLDER ASS.
5.0.000.0668	PORTA FILTRO M12 INCLIN. CONJ. - CAPSULAS	CAPSULES FILTER HOLDER ASS.

## 1 - 4.0.016.0000 - GRUPO ECC-07

1 - GROUP ECC-07



ITEM Nº	CODIGO	DESIGNAÇÃO	DESIGNATION	QUANT.
15	5.0.016.0100	CORPO GRUPO ECC-07	BODY OF THE GROUP ECC-07	1
16	5.0.025.0009	DISTRIBUIDOR GRUPO B-61/ECC-07	OUTLET GROUP B-61/ECC-07	1
17	5.0.025.0003	PARAFUSO UMBRACO M6X10 INOX (GR B-61/ECC-07)	FRONT INOX SCREW M6X10 OF THE GROUP B-61	1
18	5.0.025.0015	JUNTA TEFLON 10X6X1	TEFLON GASKET	1
19	5.0.025.0002	JUNTA TEFLON 35X30X2	TEFLON GASKET	1
20	5.0.016.0102	TAMPAO SUPERIOR M26X1,5 CROM. GR ECC-07	UPPER CHROM. COVER M26X1,5 (GR ECC-07)	1
21	5.0.016.0110	INJECTOR 0,7 M6X0,75 (GR ECC-07)	INJECTOR 0,7 M6X0,75 (GR ECC-07)	1
22	5.0.025.0023	FITRO INOX INJECTOR	GROUP GIGLEUR FILTER	1
23	5.0.025.0022	JUNTA TEFLON 22X17X2	TEFLON GASKET	1
24	5.0.025.0021	TAMPAO G3/8 CROM. (GR B-61/GR ECC-07)	CHROM. COVER G3/8 (GR B-61/GR ECC-07)	1
25	5.0.016.0105	INFUSOR GRUPO ECC-07	INFUSER OF GROUP ECC-07	1
26	5.0.016.0106	JUNTA TEFLON 26X 21X2	TEFLON GASKET	1
27	5.0.016.0104	TAMPAO LATERAL G1/4 CROM. GR ECC-07	CHROM. SIDE COVER G1/4 (GR ECC-07)	1
28	5.0.000.0315	JUNTA TEFLON 18X13,5X2MM	TEFLON GASKET	1

20160523



Os elementos deste desenho podem ser alterados sem aviso prévio.  
This drawing may be altered without previous notice.

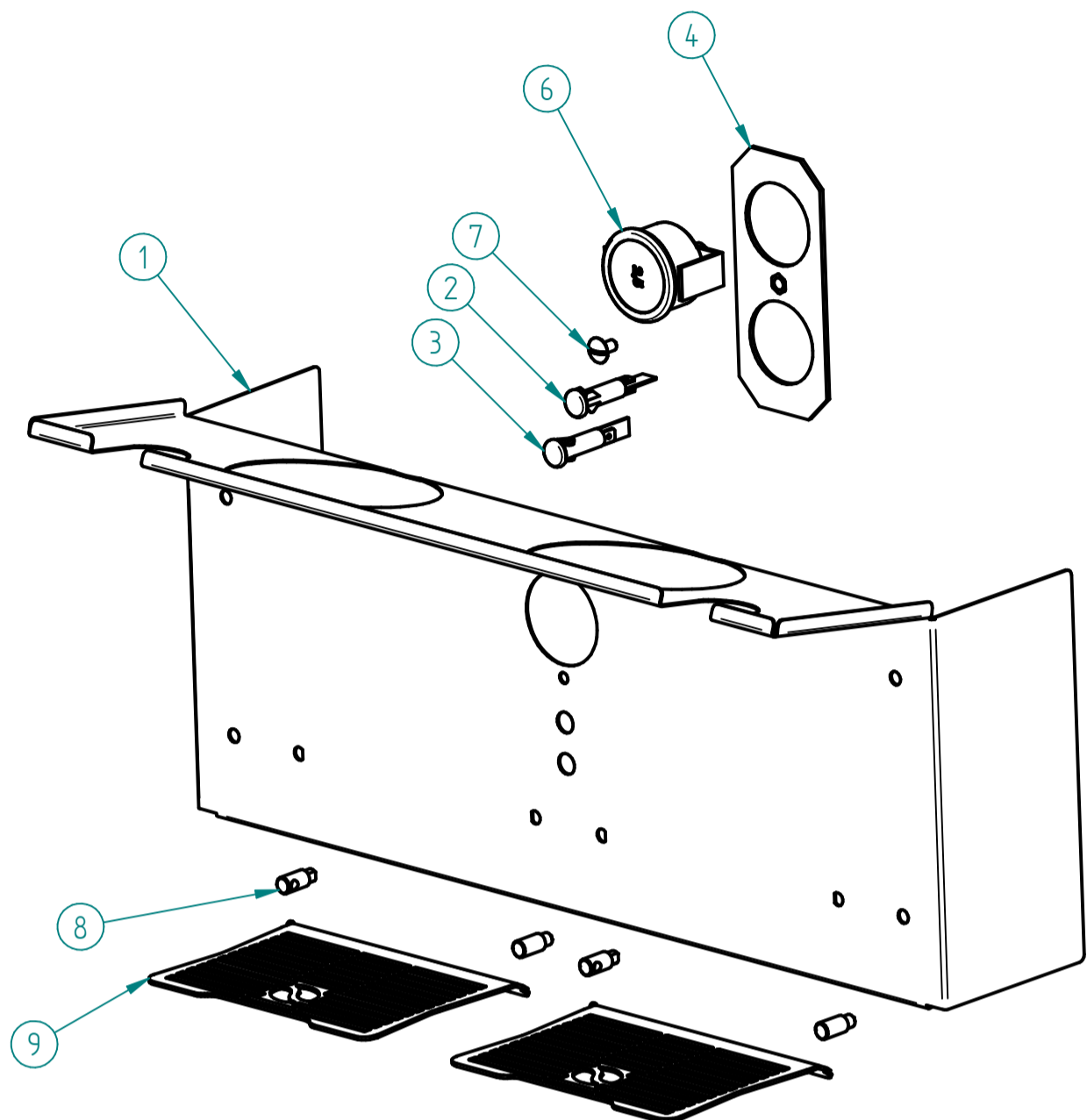
# MÁQ. CAFÉ ATLANTIC 2 CV COMPACT TC ECC

R00

ESPRESSO COFFEE MACHINE ATLANTIC 2 CV COMPACT TC ECC

## 14 – PAINEL FRONTAL CONJ. ATLANTIC 1 TC ECC

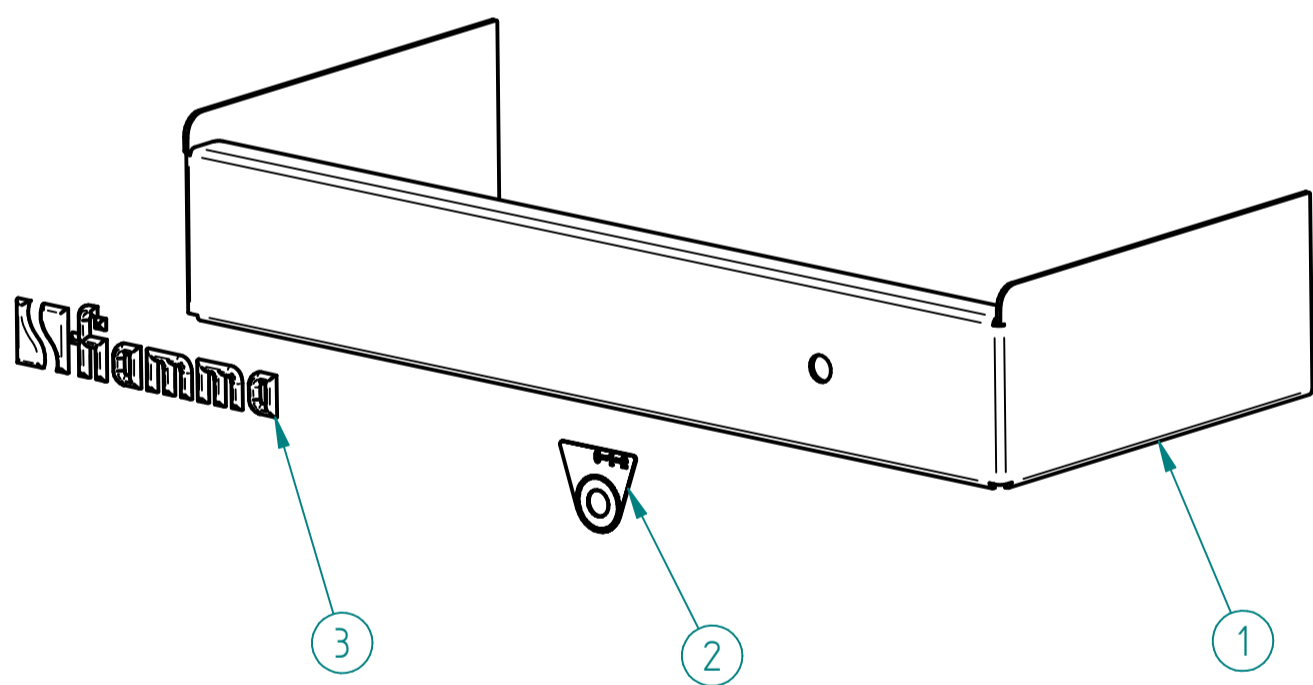
14 – FRONT PANEL ATLANTIC 1 TC ECC



ITEM Nº	CÓDIGO	DESIGNAÇÃO	DESIGNATION	QUANT.
1	7.0.017.6202	PAINEL FRONTAL ATLANTIC 2 COMPACT TC ECC	FRONT PANEL ATLANTIC 2 COMPACT TC ECC	1
2	4.0.025.0130	SINALIZADOR VERDE Ø10MM TERM. MACHO	GREEN LED Ø10MM	1
3	4.0.025.0135	SINALIZADOR LARANJA Ø10MM TERM. MACHO	ORANGE LED Ø10MM	1
4	7.0.016.0204	SUPORTE MANÓMETROS ATLANTIC	ATLANTIC GAUGE SUPPORT	1
6	5.0.000.0392	MANOMETRO 0-2,5BAR	PRESSURE GAUGE 0-2,5BAR	1
7	4.2.000.9116	PARAFUSO CAB. OVAL LARGA M5X10 NIQ	SCREW M5X10	1
8	7.0.016.2235	SUPORTE GRELHA CHAVENAS NV ATLANTIC TC	CUPS GRID SUPPORT	4
9	7.0.016.2237	GRELHA CHAVENAS NV ATLANTIC TALL CUPS	CUPS GRID	2

## 16 – PAINEL COMANDO INFERIOR CONJ. ATLANTIC 1 ECC

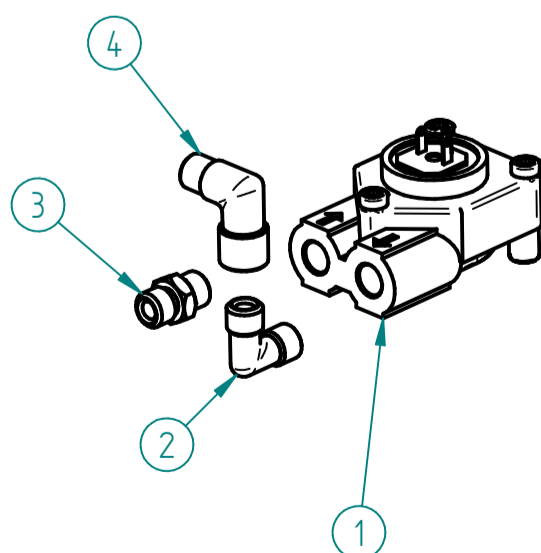
16 – LOWER CONTROL PANEL ATLANTIC 1 ECC



ITEM Nº	CÓDIGO	DESIGNAÇÃO	DESIGNATION	QUANT.
1	7.0.016.5457	PAINEL COMANDO INF. ATLANTIC 1 ECC	LOWER CONTROL PANEL ATLANTIC 1 ECC	1
2	4.0.025.0060	AUTOCOLANTE COMUTADOR PRESTIGE REVOL	SWITCH STICKER PRESTIGE REVOL	1
3	4.0.007.0068	AUTOCOLANTE FIAMMA (TRANSFER) 150MM	FIAMMA DECAL 150MM	1

## 20 – CONTADOR VOLUMETRICO CONJ. ATLANTIC 1/2 CV COMPACT ECC

20 – ASS. VOLUMETRIC DOSER ATLANTIC 1/2 CV COMPACT ECC



ITEM Nº	CÓDIGO	DESIGNAÇÃO	DESIGNATION	QUANT.
1	5.0.000.1012	CONTADOR VOLUMETRICO Ø1,15-Ø1/8 C/ LED	VOLUMETRIC DOSER Ø1,15-Ø1/8 W/ LED	1
2	5.0.000.0730	RACORD L Ø1/8-Ø1/8	RACORD L Ø1/8-Ø1/8	1
3	5.0.000.0725	RACORD Ø1/8-Ø1/8 NIQ.	RACORD Ø1/8-Ø1/8 NIQ.	1
4	5.0.000.0728	RACORD L Ø1/8-Ø1/8F	RACORD L Ø1/8-Ø1/8F	1

20160523



**fiamma**  
Behind every great taste

Os elementos deste desenho podem ser alterados sem aviso prévio.  
This drawing may be altered without previous notice.

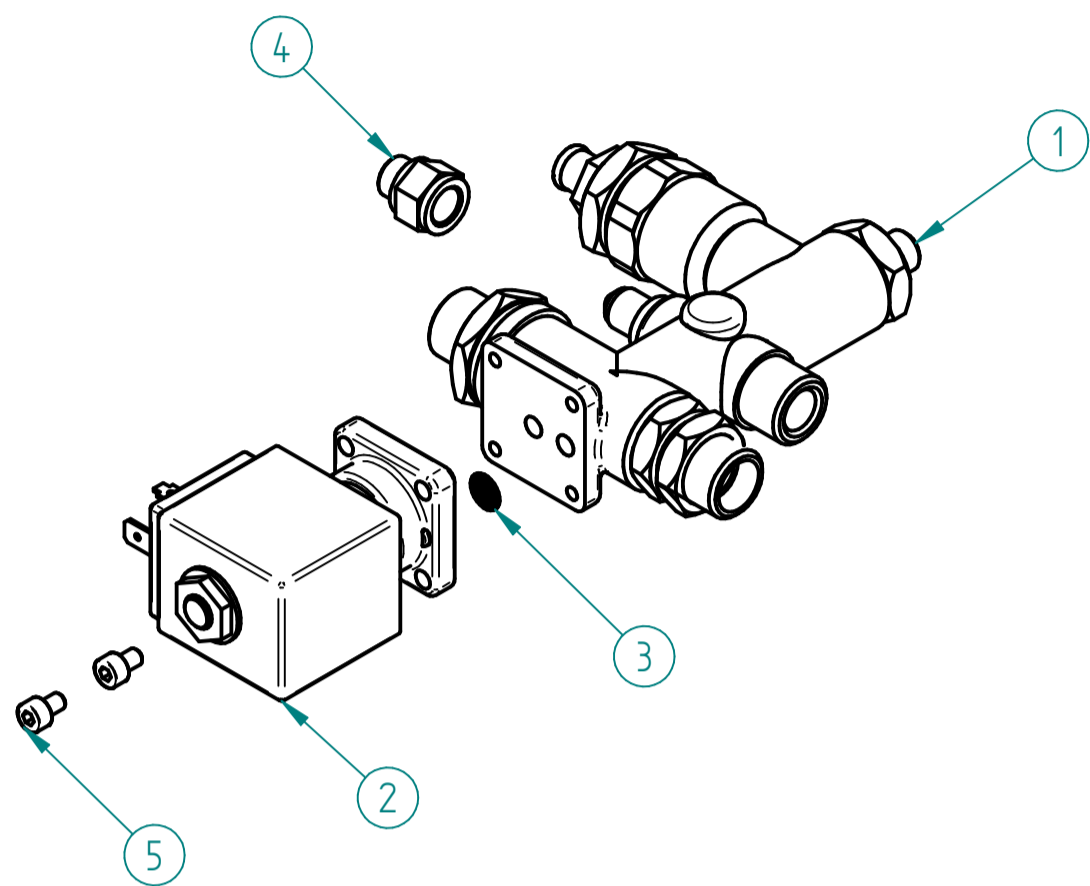
# MÁQ. CAFÉ ATLANTIC 2 CV COMPACT TC ECC

R00

ESPRESSO COFFEE MACHINE ATLANTIC 2 CV COMPACT TC ECC

## 21 - 7.0.016.0065 - BLOCO ENTRADA AGUA ECC-07 (AUT.) CONJ.

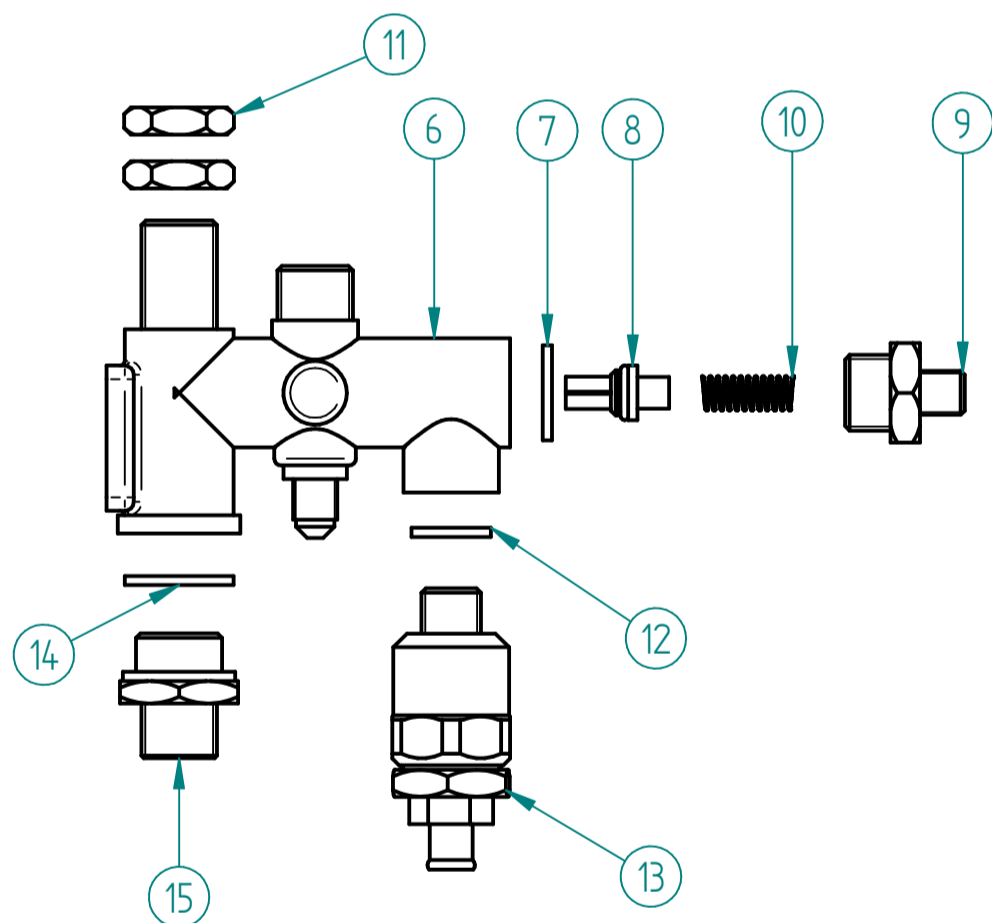
21 - WATER INLET ASS.



ITEM Nº	CÓDIGO	DESIGNAÇÃO	DESIGNATION	QUANT.
1	4.0.016.0010	BLOCO ENTRADA AGUA ECC-07 (AUT.)	WATER INLET ASS.	1
2	5.0.000.0124	ELECTROVAL. 2 VIAS 230V/50HZ-ENT. AGUA PARAL.	2 WAYS ELECTROVALVE	1
3	5.0.000.0181	FILTRO BASE ELECTROVAL. Ø9MM	ELECTROVAL. FILTER Ø9MM	1
4	5.0.000.0715	RACORD G1/8-G1/8F NIQ.	RACORD G1/8-G1/8F NIQ.	1
5	4.2.000.9606	PARAF. UMBRACO M4X6 INOX DIN912	M4X6 INOX DIN912 UMBRACO SCREW	2

## 1 - 4.0.016.0010 - BLOCO ENTRADA AGUA ECC-07 (AUT.)

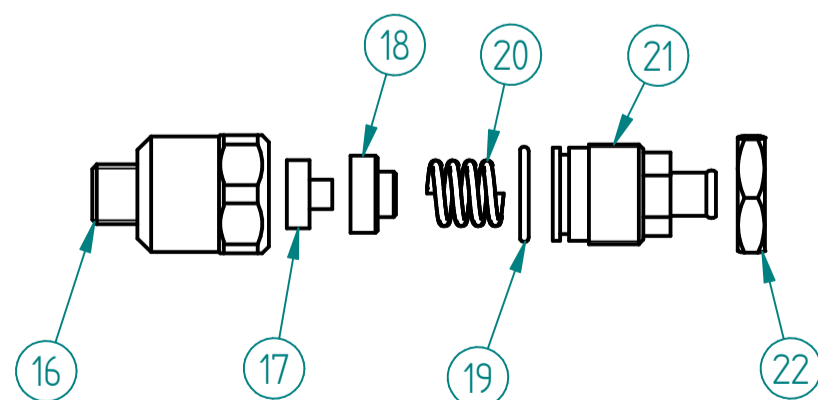
1 - WATER INLET ASS.



ITEM Nº	CODIGO	DESIGNAÇÃO	DESIGNATION	QUANT.
6	5.0.016.0200	CORPO BLOCO AUT. ECC-07	DISTRIBUTION GROUP BODY (AUT. ECC-07)	1
7	5.0.025.1386	JUNTA TEFLON 21X16,8X2	TEFLON GASKET	1
8	5.0.016.0231	VALVULA ANTI-RETORNO BLOCO ECC-07	ANTI-BACKFLOW VALVE	1
9	5.0.016.0235	RACORD G3/8-8 x G1/8 BLOCO ECC-07	RACORD G3/8XG1/8 (DISTRIB. GROUP ECC-07)	1
10	5.0.016.0234	MOLA VALVULA ANTI-RETORNO BLOCO ECC-07	ANTI-BACKFLOW VALVE SPRING	1
11	4.0.000.0045	PORCA G3/8 LATAO (SEXT. 21MM)	BRASS NUT G3/8 (21MM)	2
12	5.0.000.0315	JUNTA TEFLON 18X13,5X2MM	TEFLON GASKET	1
13	5.0.016.0220	VALVULA EXPANSAO BLOCO ECC-07	EXPANSION VALVE (DISTRIB. GROUP ECC-07)	1
14	5.0.016.0211	JUNTA TEFLON 24X19X2	TEFLON GASKET	1
15	5.0.016.0215	RACORD M20x1,5-G3/8 BLOCO ECC-07	RACORD M20X1,5-G3/8	1

## 8 - 5.0.016.0220 - VALVULA EXPANSÃO BLOCO ECC-07

8 - EXPANSION VALVE (DISTRIB. GROUP ECC-07)



ITEM Nº	CODIGO	DESIGNAÇÃO	DESIGNATION	QUANT.
16	5.0.016.0222	CORPO VALVULA EXPAN. BLOCO ECC-07	EXPANSION VALVE BODY	1
17	5.0.016.0223	JUNTA VALVULA EXPAN. BLOCO ECC-07	EXPANSION VALVE GASKET	1
18	5.0.016.0224	SUPORTE JUNTA BLOCO ECC-07	GASKET HOLDER (DISTRIB. GROUP ECC-07)	1
19	5.0.016.0225	ORING 21X17X2	ORING 21X17X2	1
20	5.0.016.0214	MOLA 8-16KG BLOCO ECC-07	SPRING	1
21	5.0.016.0226	RACORD M22X1 VALVULA EXPAN. BLOCO ECC-07	RACORD M22X1- EXPANSION VALV.	1
22	5.0.016.0227	PORCA M22X1 LATAO	BRASS NUT M22X1	1

20160523



**fiamma**  
Behind every great taste

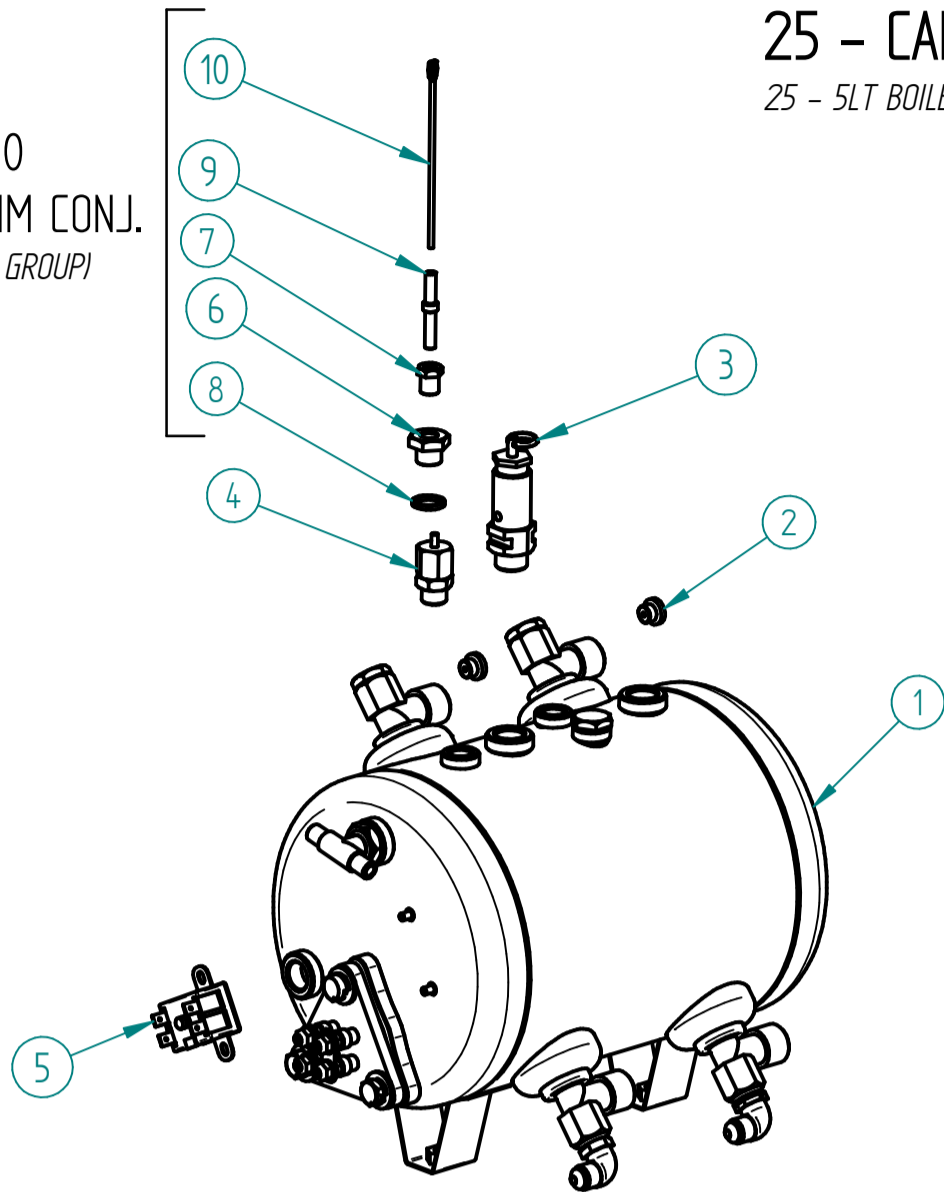
Os elementos deste desenho podem ser alterados sem aviso prévio.  
This drawing may be altered without previous notice.



# MÁQ. CAFÉ ATLANTIC 2 CV COMPACT TC ECC

ESPRESSO COFFEE MACHINE ATLANTIC 2 CV COMPACT TC ECC

7.0.016.0070  
SONDA Ø2,5x105MM CONJ.  
(Ø2.5X105MM PROBE GROUP)



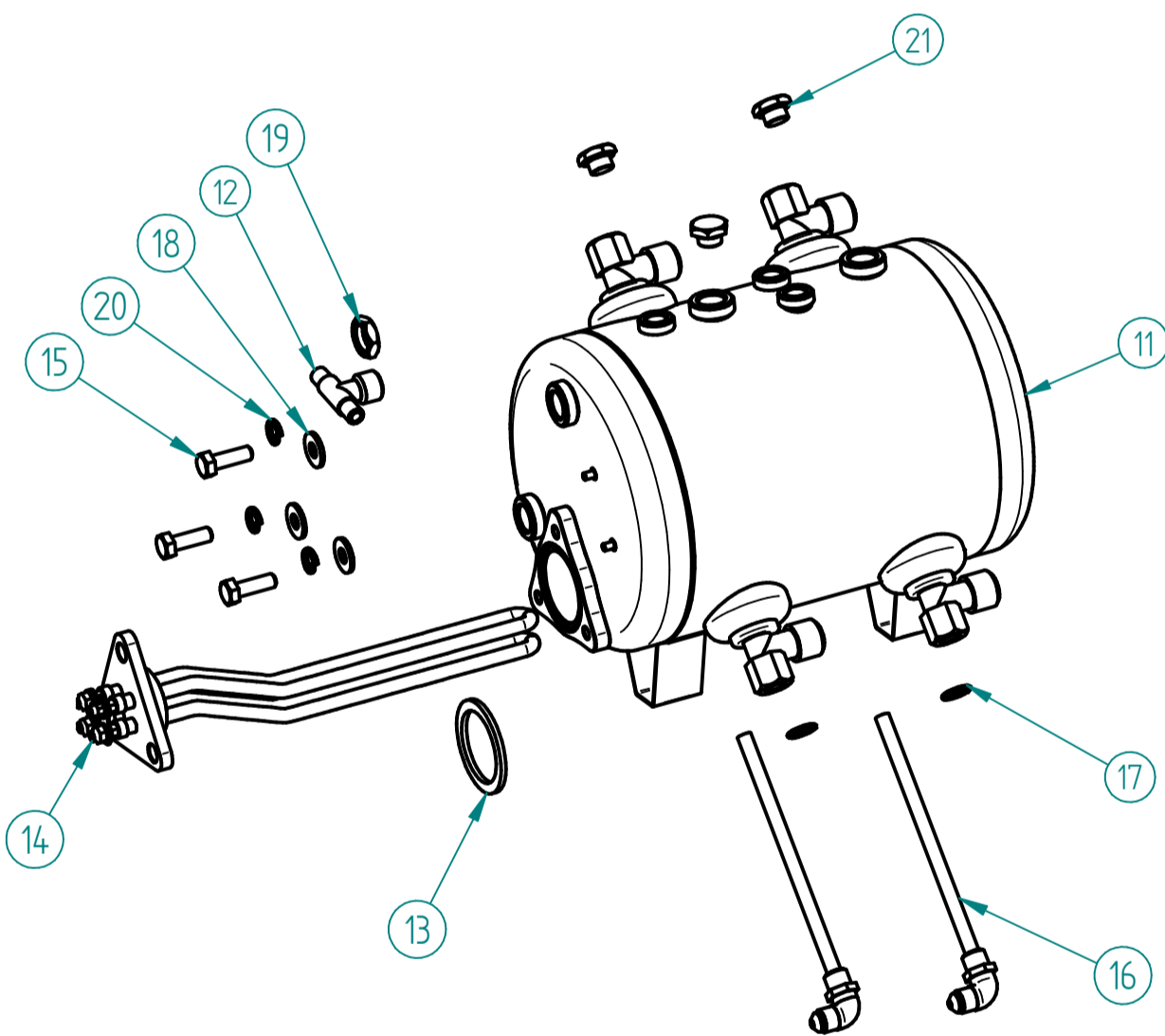
## 25 - CALDEIRA 5LT C/ ACESSORIOS

25 - 5LT BOILER W/ ACESS

ITEM Nº	CÓDIGO	DESIGNAÇÃO	DESIGNATION	QUANT.
1	7.0.000.0521	CALDEIRA 2GR 6LT C/ ACESS	2 GROUP 6LT BOILER W/ ACESS.	1
2	5.0.000.0748	REDUTOR CAUDAL 2,5MM	FLOW REDUCER 2,5MM	2
3	4.0.000.0051	VALVULA SEGURANÇA CALDEIRA	BOILER SECURITY VALVE	1
4	5.0.000.1002	VALVULA ANTI-VACUO	ANTI VACUUM VALVE	1
5	4.0.000.0250	TERMOSTATO SEGURANÇA 130°	SAFETY THERMOSTAT 130°	1
6	4.0.160.0060	RACORD SONDA G1/4 NIQ.	PROBE RACORD G1/4	1
7	4.0.160.0061	RACORD SONDA G1/8 NIQ.	PROBE RACORD G1/8	1
8	5.0.000.0315	JUNTA TEFLON 18X13,5X2MM	TEFLON GASKET	1
9	5.0.000.0317	ISOLANTE TEFLON SONDA MAQ. CAFE	PROBE ISOLATING TEFLON	1
10	7.0.000.0750	SONDA Ø2,5X105MM	PROBE Ø2,5X105MM	1

## 1 - 7.0.000.0509 - CALDEIRA 1GR 5LT C/ ACESS.

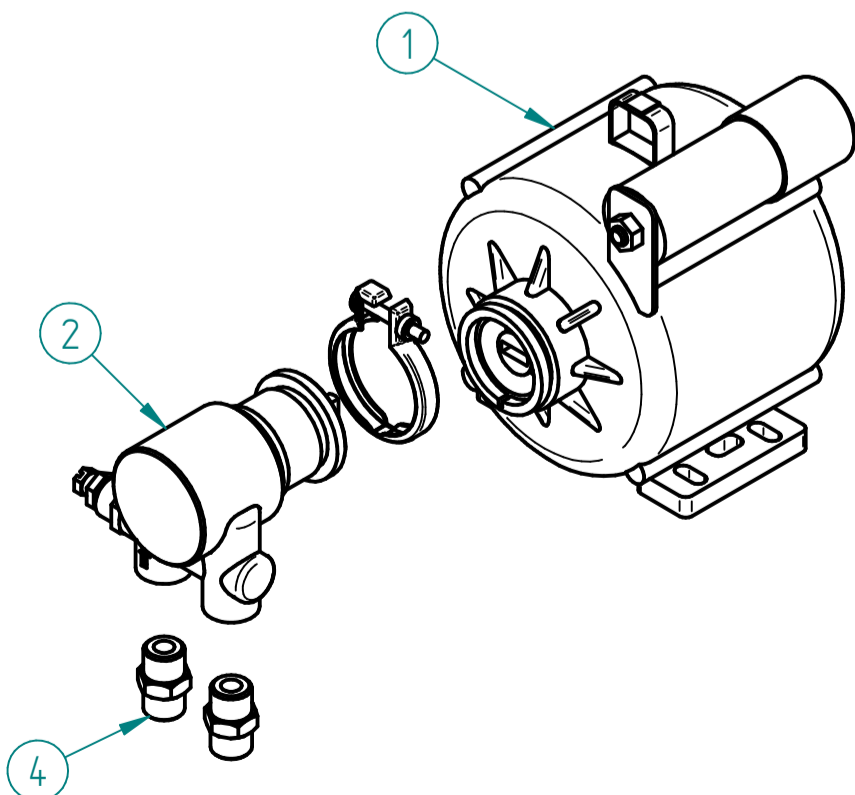
1 - 1 GROUP 5LT BOILER W/ ACESS.



ITEM Nº	CÓDIGO	DESIGNAÇÃO	DESIGNATION	QUANT.
11	7.0.000.0543	CALDEIRA 2GR 6LT (RACORD SOLDADO)	2 GROUP 6LT BOILER	1
12	4.0.000.0071	RACORD DUPLO G3/8-2XG1/8	DOUBLE RACCORD	1
13	5.0.000.0307	JUNTA RESISTENCIA REDONDA	HEATING ELEMENT GASKET	1
14	4.0.000.0219	RESISTENCIA FLANGE TRIANG. 2500W	TRIANGULAR HEATING ELEMENT (2500 W)	1
15	4.2.000.9086	PARAFUSO CAB. SEXT. M8X25 ZINC. DIN933	SCREW M8X25	3
16	7.0.000.0120	RACORD INJECTOR C/ TUBO	INJECTION RACORD W/ TUBE	2
17	4.0.000.0013	ANILHA 13x17MM (G1/4) COBRE	GASKET G1/4 CU	2
18	7.2.000.0015	ANILHA PLANA 2X20X8,5 ZINC.	FLAT RING 2X20X8.5	3
19	4.0.000.0045	PORCA G3/8 LATAO (SEXT. 21MM)	BRASS NUT G3/8 (21MM)	1
20	4.2.000.9147	ANILHA MOLA M8 ZINC. DIN127B	M8 SPRING WASHER	3
21	4.0.000.0151	TAMPAO G1/4 LATAO	BRASS COVER G1/4	3

## 32 - 7.0.016.0060 - MOTOR BOMBA CONJ.

32- PUMP-MOTOR ASS.



ITEM Nº	CÓDIGO	DESIGNAÇÃO	DESIGNATION	QUANT.
1	5.0.000.0460	MOTOR 230V/50HZ	MOTOR 230V 50HZ	1
2	5.0.000.0040	BOMBA AGUA	WATER PUMP	1
3*		ABRACADEIRA AUXILIAR	Auxiliary Clamp	1
4	4.0.000.0115	RACORD G3/8-G3/8 (BOMBA)	PUMP'S METAL SLEEVE	2

# MÁQ. CAFÉ ATLANTIC 2 CV COMPACT TC ECC

R00

ESPRESSO COFFEE MACHINE ATLANTIC 2 CV COMPACT TC ECC

## ESQUEMA ELECTRICO Electric Scheme

### LEGENDA:

- A - Interruptor geral (commutator)
- P - Pressostato (pressostat)
- T - Termostato segurança (safety thermostat)
- R - Resistencia (heating element)
- M - Motor (motor)
- S - Sonda nivel (level)
- EV GR1 / GR2 / GR3 - Electrov. grupo1 / 2 / 3 (electrov. group 1/2/3)
- EV FILL - Electrov. entrada agua (electrov. water inlet)

