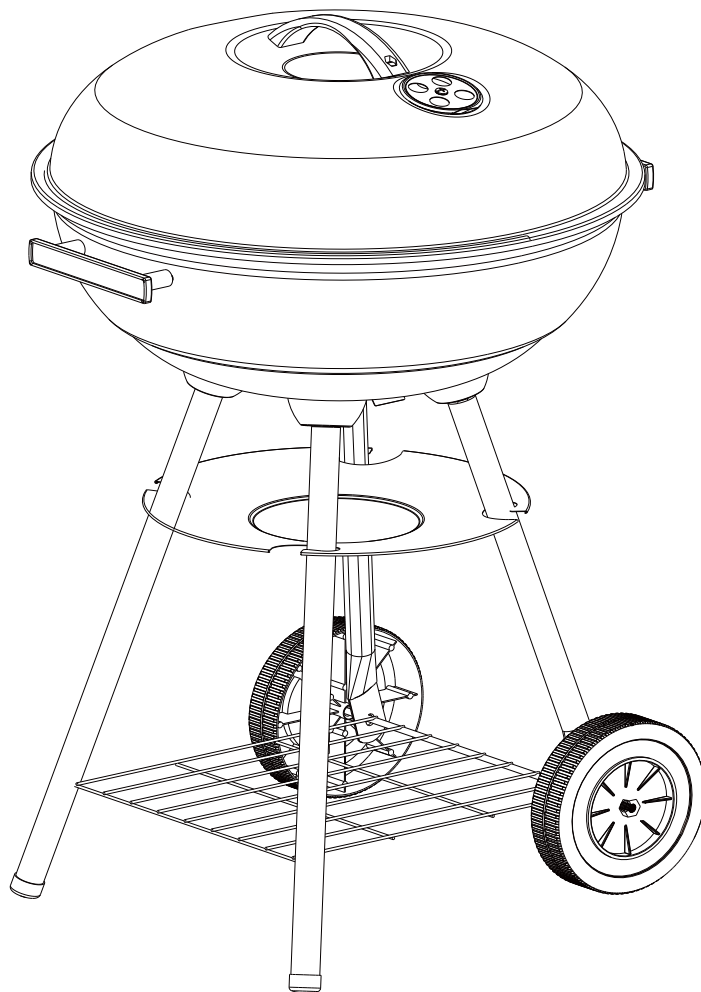


CHARCOAL BARBECUE

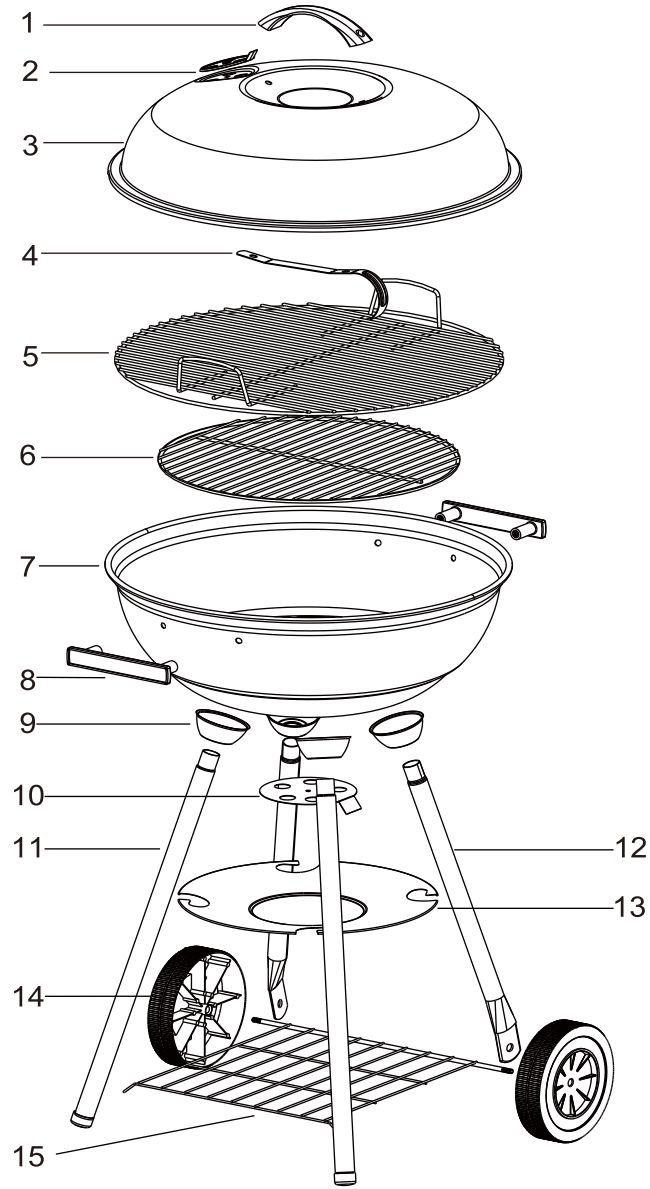
YH22022B

DESIGN FOR OUTDOOR USE ONLY

Read the instructions before using the
appliance and retain for future reference



Exploded View



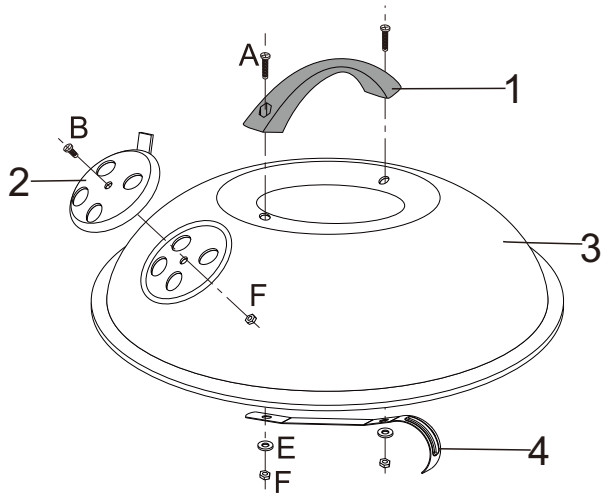
Parts List

No.	Description	Qty
1	Lid Handle	1
2	Air Vent	1
3	Lid	1
4	Hanger	1
5	Grill	1
6	Grate	1
7	Fire bowl	1
8	Bowl Handles	2
9	Leg Supports	4
10	Ash Door	1
11	Long Legs	2
12	Short Legs	2
13	Ash Tray	1
14	Wheels	2
15	Wire Rack	1

Hardware:

A	M4*25mm		2
B	M4*10mm		2
C	M6*16mm		4
D	M6*30mm		4
E	M4*8mm		2
F	M4		4
G	M6*20mm		4
H	M8*18mm		2
I	M8		2
J	M6*16mm		4

Assembly Instructions

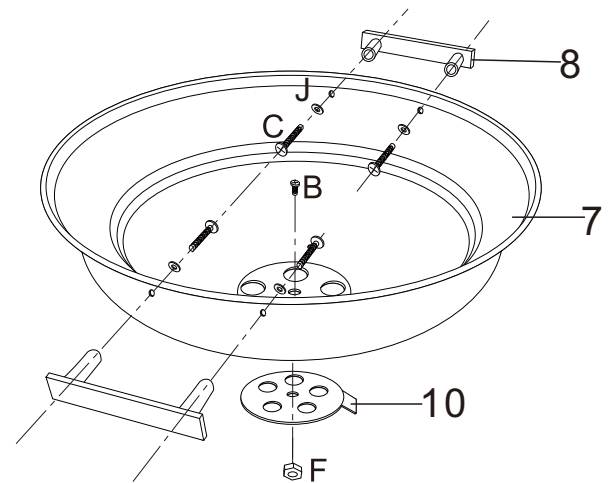


Step 1a

Attach the lid handle (1) and the lid hanger (4) to the lid (3) using 2 screws (A) from the outside and 2 washers (E) and 2 nuts (F) from the inside.

Step 1b

Attach the air vent (2) to cover the air hole in the lid using screw (B) and nut (F) from the inside.

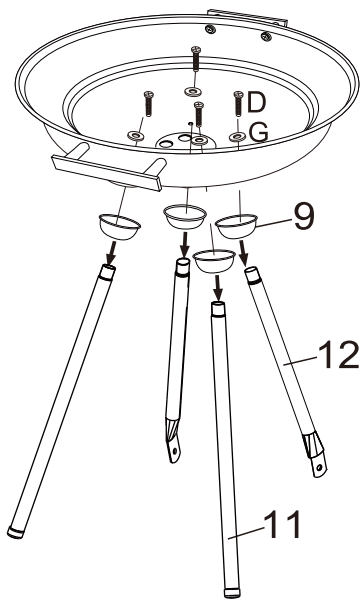


Step 2a

Attach the bowl handles (8) to the fire bowl (7), using 4 screws (C) with fabric washers (J) on the outside and washers (G) on the inside.

Step 2b

Attach the ash door (10) to the bottom of the fire bowl (7) using 1 screw (B) from the inside and 1 nut (F) from the outside.



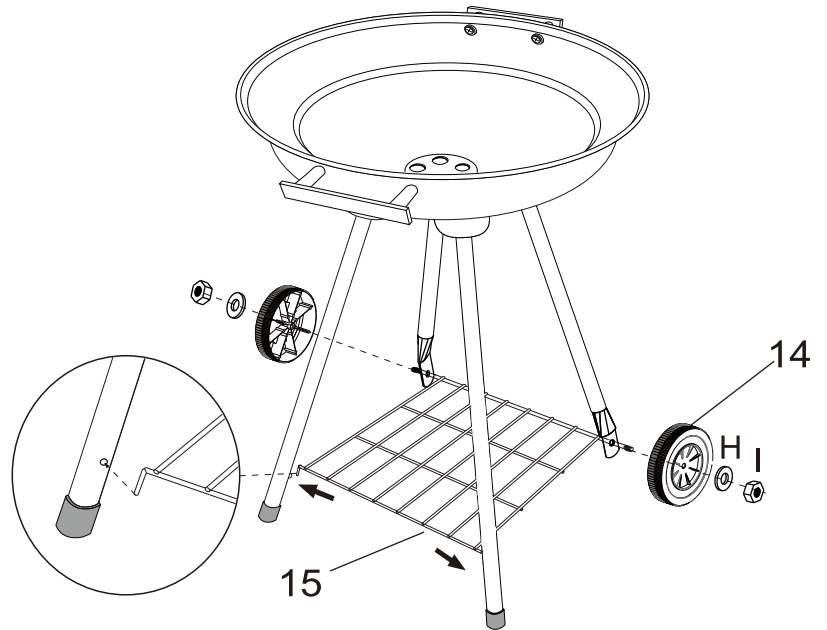
Step 3a

Insert leg supports (9) on to the top of the short legs (12) and long legs (11).

Step 3b

Attach legs to the fire bowl (7) bottom using 4 screws (D) and washers (G) from the inside.

Note: One handle should be located between the 2 long legs and the other handle should be located between the 2 short legs.



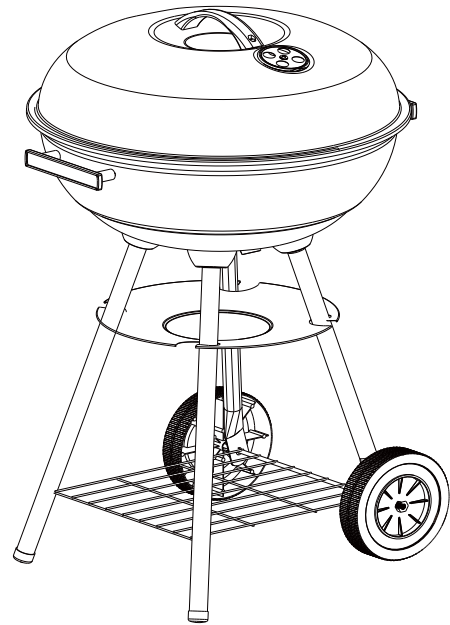
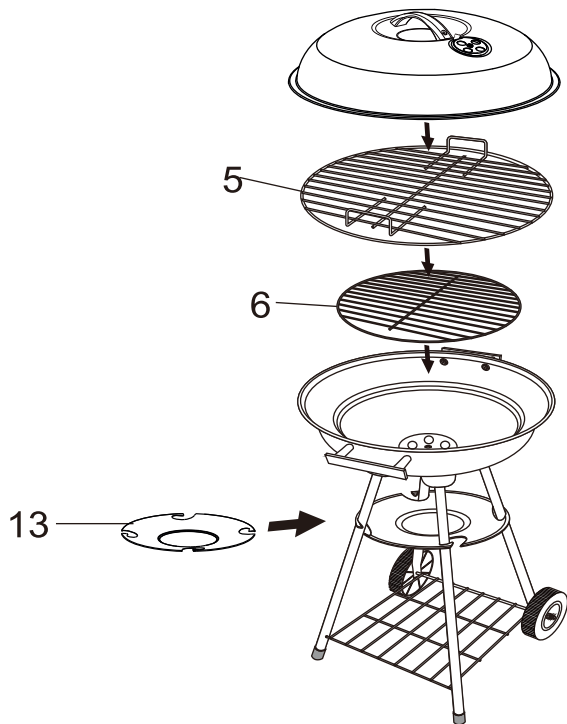
Step 3c

Insert the wire rack (15) into the leg ends. The bent tip goes into the holes of the long legs (11) first (with the bent tip pointing in the opposite direction of the grill). Then align and insert the other ends into the 2 short legs (12). Make sure the hole which is closest to the end of the leg faces outwards.

Step 3d

Insert wheels (14), white plastic washers (H) and secure with cap nuts (I) on both sides.

Assembly Instructions



Step 4a

Tighten all the screws and nuts, install the ash tray (13) by aligning the slots with the legs and rotating to lock in place.

Step 4b

Place the charcoal grate (6) into the fire bowl and then place the cooking grill (5) above.