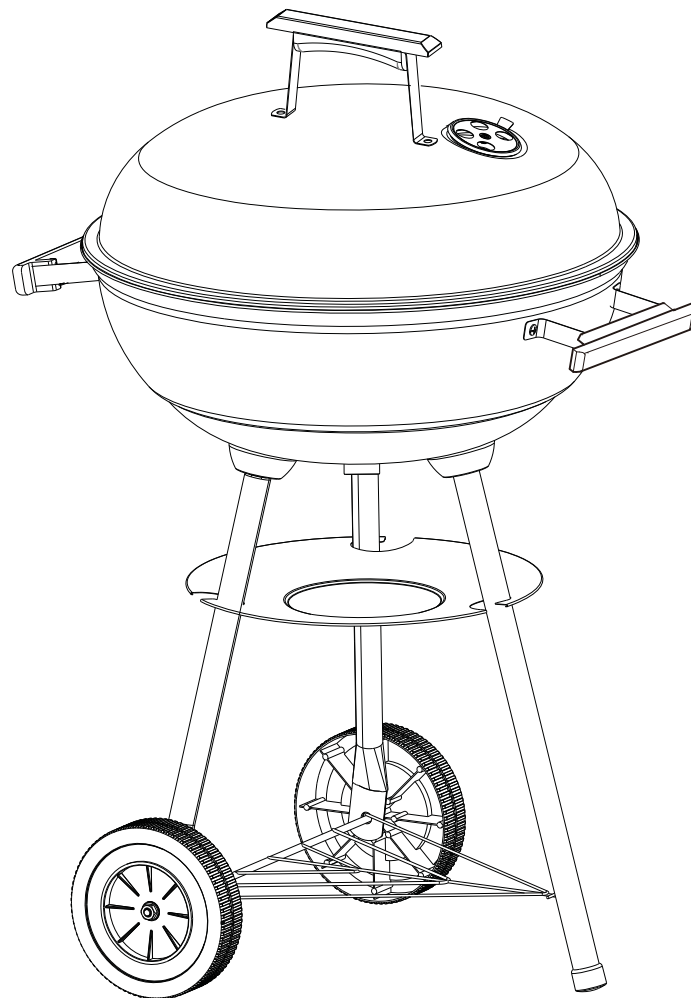


YH22018C



WARNINGS

Do not cook before the fuel has a coating of ash.

WARNING! This barbecue will become very hot, do not move it during operation.

Do not use indoors!

WARNING! Do not use spirit or petrol for lighting or re-lighting! Use only firelighters complying to EN 1860-3!

Warning! Keep children and pets away!

IMPORTANT SAFETY INSTRUCTIONS

- ❖ Operate the product only on a level, stable surface.
- ❖ Do not operate the product if it is damaged.
- ❖ Never leave the product unattended when in use.
- ❖ Do not use the product near combustible materials such as wood, dry grass, shrubs, etc.
- ❖ Do not allow the product to come into contact with flammable materials such as paper, towels, chemicals, etc.
- ❖ **Always keep a bucket of water near the barbecue.**
- ❖ **The barbecue shall be heated up and the fuel kept red hot for at least 30 min prior to the first cooking on the barbecue.**

- ❖ **Do not remove the grill rack when the barbecue is in operation or hot. Allow the grill rack to cool down before removing it using the detachable handles.**

FOR EXTERNAL USE ONLY ! Do not use indoors! CARBON MONOXIDE HAZARD

Burning wood or charcoal inside can kill. There is carbon monoxide free that is completely odourless. NEVER burn wood or charcoal in a house, vehicle or tent.

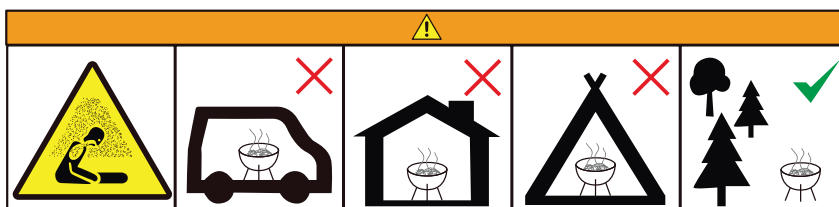
The fire pit is VERY HOT! DO NOT TOUCH THE FIRE PIT IN USE.

Always use heat-resistant gloves, tongs with long handles or oven mitts.

Fuel which can be used: wood, paper or charcoal. The maximum amount of fuel to be used is 1.2 kg.

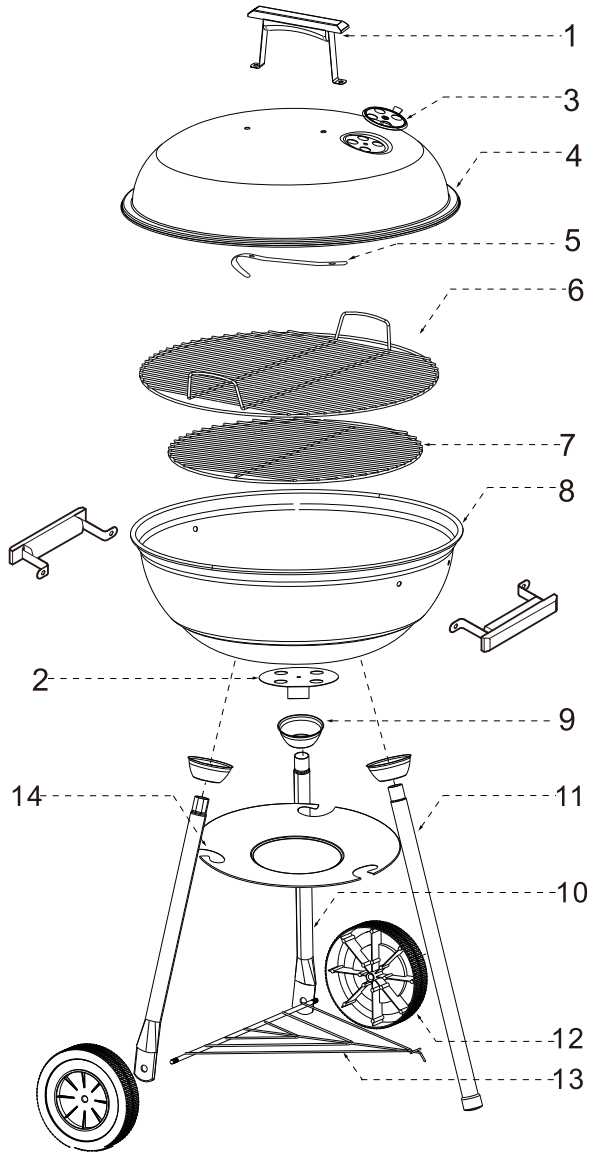
Allow the barbecue to cool down for at least 48 hours before emptying it.

Do not put used charcoal in the packaging. Store charcoal and briquettes in a dry and well ventilated area, away from sources of ignition.



Do not use the barbecue in a confined and/or habitable space e.g. houses, tents, caravans, motor homes, boats. Danger of carbon monoxide poisoning fatality.

PARTS



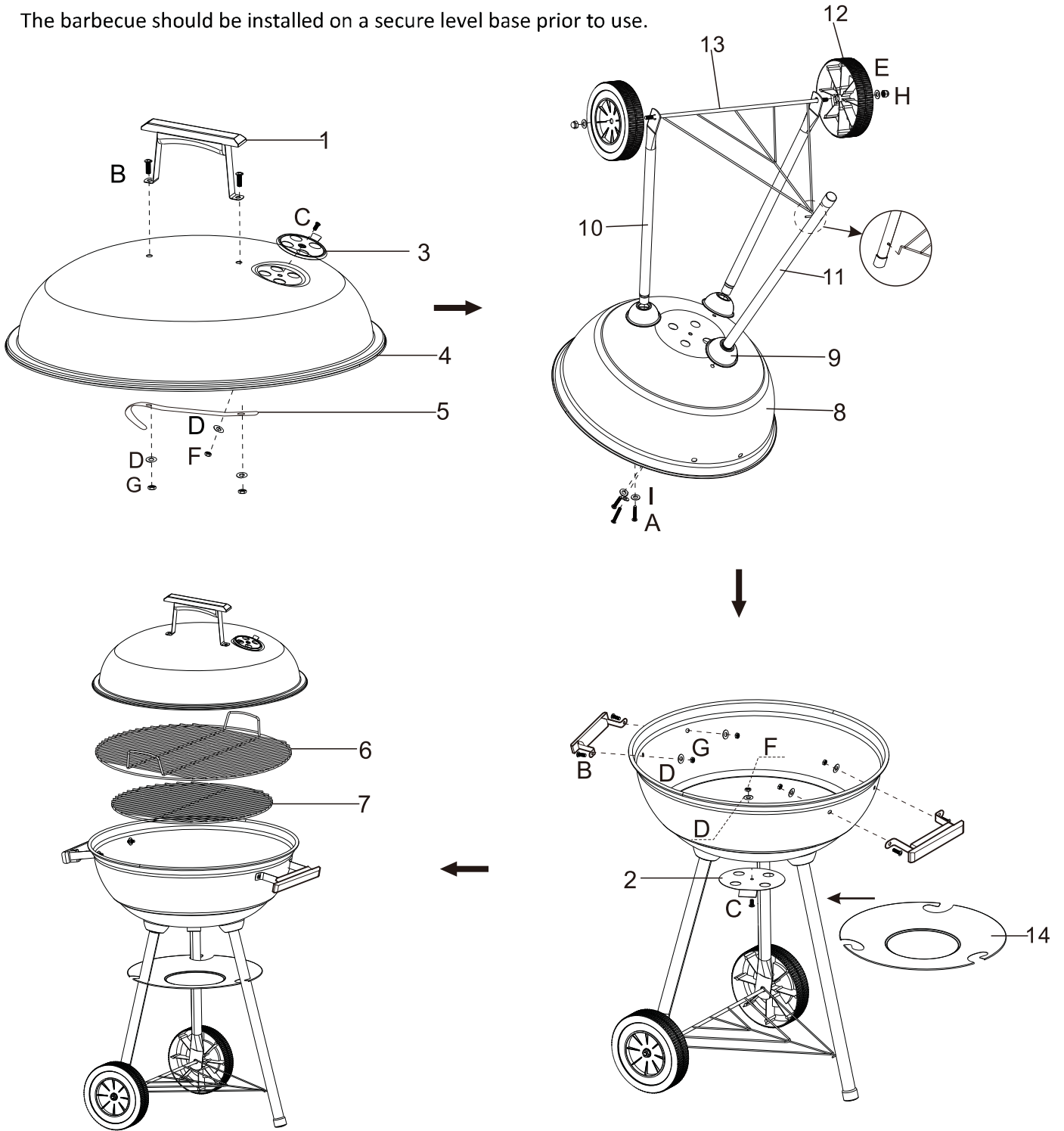
A. M6X30		x3 PCS
B. M6X16		x6 PCS
C. M5X12		x2 PCS
D. ϕ 6x16		x8 PCS
E. ϕ 8x18		x2 PCS
F. M5		x2 PCS
G. M6		x6 PCS
H. M8		x2 PCS
I. ϕ 6x18		x3 PCS

- 1. Handle
- 2. Support ring for ash discharge
- 3. Air vent assembly
- 4. Lid
- 5. Hook
- 6. Grill rack
- 7. Charcoal grate

- 8. Bowl
- 9. Leg holder
- 10. Short leg
- 11. Long Leg
- 12. Wheel
- 13. Bottom shelf
- 14. Ash tray

INSTALLATION

The barbecue should be installed on a secure level base prior to use.



We apologise for any inconvenience caused by minor inconsistencies in these instructions, which may occur as a result of product improvement and development.