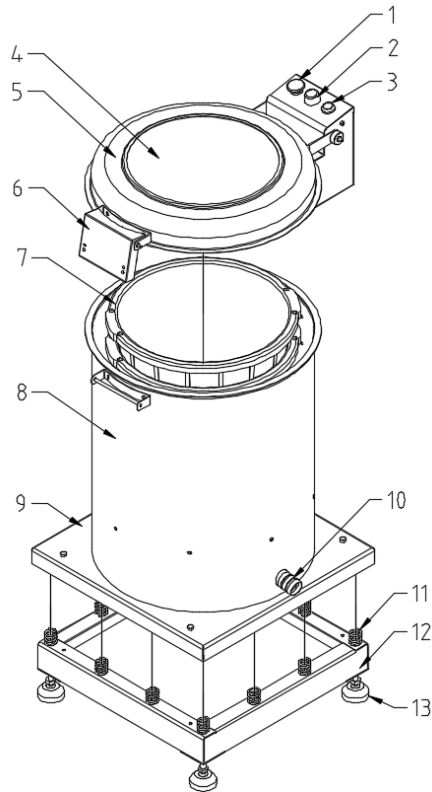


4. Machine structure



1.emergency stop switch	2.timer	3.starting switch
4.transparent cover	5.stainless steel cover	6.cover fastener
7.dehydration box	8.stainless steel barrel	9.baseplate
10.water outlet	11.spring	12.base
13.footing		

Imported by: Adexa Direct Limited

Unit 1 Swift Point, Cosford Lane, Swift Valley Industrial Estate, Rugby,
CV21 1QN, UK

service@adexa.co.uk , T:+44 1788 222 410



Adexa

Vegetable dehydrator

XT35 XT70

User's manual

