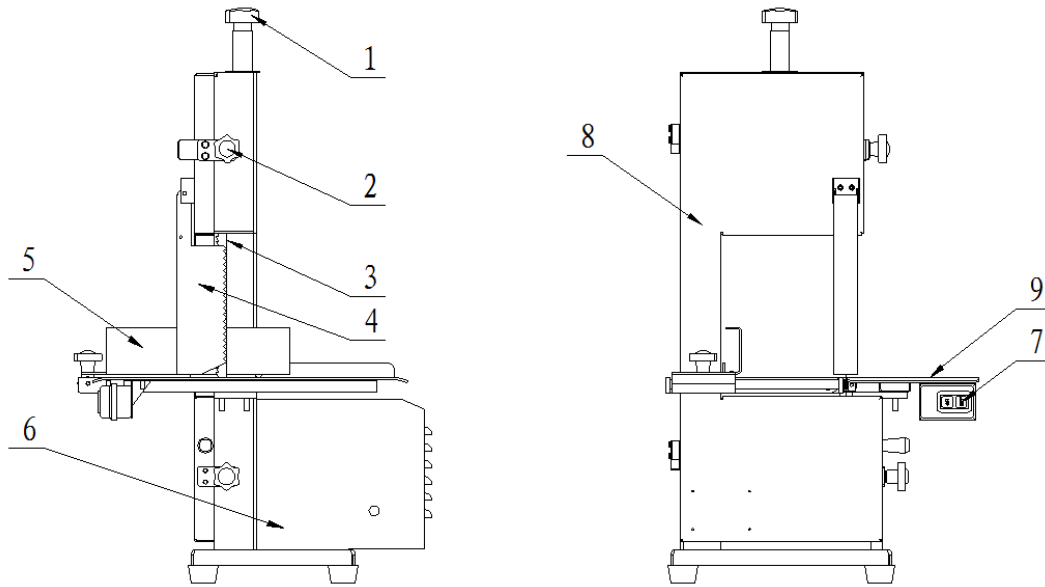


VI. Structure Chart



- | | | |
|---------------------|--------------------|------------------|
| 1、 Adjusting handel | 2、 Locking | 3、 Blade |
| 4、 Pusher | 5、 adjusting board | 6、 motor cover |
| 7、 switch | 8、 door | 9、 working table |

Imported by: Adexa Direct Limited
Unit 1 Swift Point, Cosford Lane, Swift Valley Industrial Estate, Rugby,
CV21 1QN, UK
service@adexa.co.uk , T:+44 1788 222 410



Adexa

W210CA W280CA

Bone Saw

User's Manual



I . Introduction

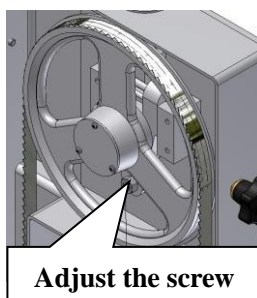
W210CA W280CA Bone Saws are newly developed products with remarkable characteristics of high efficiency and low consumption, good looking, easy to operate and so on. They are suitable for breaking up various bones with meat, frozen meat, poultrys and fishes etc. Used widely in the guesthouse, the hotel, food processing factory and the slaughter house. It is iron sheet, all parts in contact with the food are made of stainless steel or specially treated, and conform to the national food health standard.

II Technical parameters:

Model	Rated Volt (V)	Freq. (Hz)	Power (Kw)	Dia of wheel (mm)	speed (m/s)	Working table (mm)	Length of blade
W210CA	230	50	1.5	210	15	495x405	1650mm
W280CA	230	50	1.1	210	15	495x405	1830mm

III .Instructions

- 1、 The machine should be placed to the level ground or desktop, user can adjust the level via the four feet.
- 2、 Open the door (push aside locking plate,pull handle to open door), click up-wheel to inspect band saw is stable.If blade is outward migration,adjusting screws towards clockwise direction, if blade is inward direction, adjusting screws towards counter-clockwise. (pls see the right picture)
- 3、 close door, switch on, put foods on working table, adjust blade rest according to height of foods
- 4、 adjusting block material plate to appropriate location.
- 5、 After using, switch off power and clean machine timely. Open door, rotate top black handle,loosen up-wheel and take down blade. You also can bring up upper wheel to take it down easily to clean.



IV . Notice:

1. Attention to avoid the children playing the machine
2. Do not open the cover board and back plate when the machine working
3. Do not swash the machine
4. If the supply cord is damaged, it must be replaced by the manufacturer or its service agent or a similarly qualified person in order to avoid a hazard.
5. This appliance is not intended for use by persons (including children) with reduced physical, sensory or mental capabilities, or lack of experience and knowledge, unless they have been given supervision or instruction concerning use of the appliance by a person responsible for their safety.
6. Correct disposal of this product.

V . Electrical Diagram

