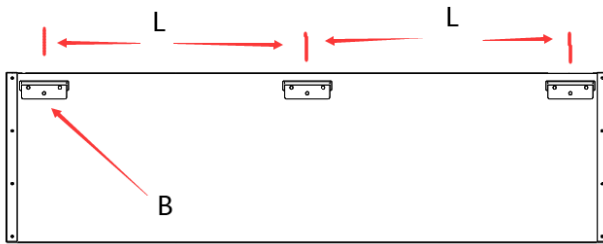


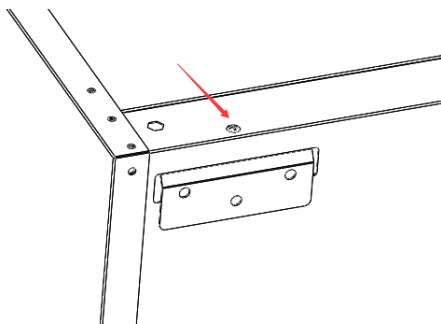
VH-F / VHS-F Assembly drawings

1 : When installing, first find the side shown in the picture. The arrow in picture B refers to the fixed hanging plate. First, measure the distance from the center of each fixed hanging plate with the size as shown in Figure L.

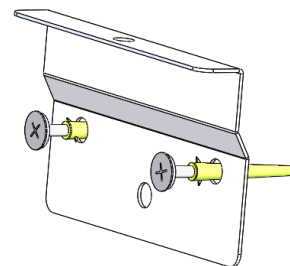


Step 2: Use tools to loosen the screws indicated by the arrow in Figure 1 and remove the fixed hanging board, then find the installation position on the wall, draw the center size of the fixed hanging board measured in the picture in step 1, and finally drill holes with expansion screws Fixed as shown in Figure 2.

图一



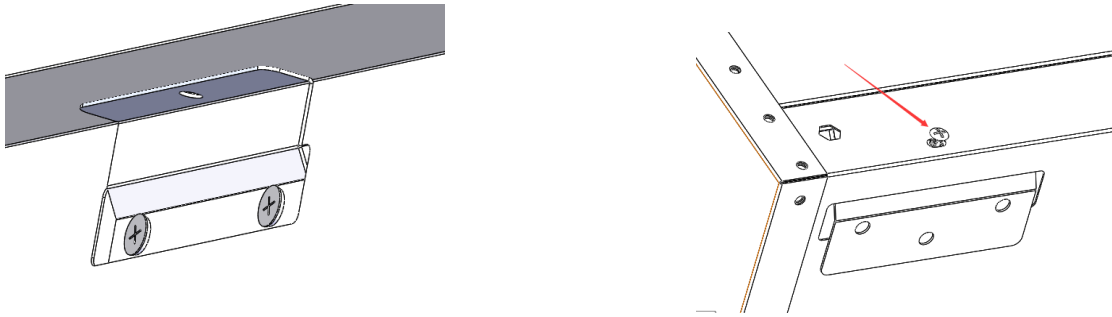
图二



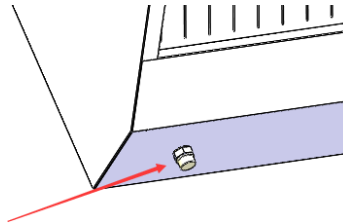
Step 3: After installing the hanging board, hang the exhaust hood on the hanging board as shown in Figure 1. Finally, use a tool to tighten the screws as shown in Figure 2.

Figure 1

Figure 2



Step 4: Finally, take out the packaged oil leakage accessories and install them.



Step 5: There is another installation method as shown in the figure. M8 screw holes have been reserved at the arrows. Customers can choose to hang them according to the structure of the house.

