

# Adexa



## UNDER-MOUNT HOOD

**MODEL : UC200-2036D**

## INSTALLATION GUIDE / USE AND CARE MANUAL

**IMPORTANT: Read and save these instructions.**

Installer: Leave this manual with the owner.  
Owner: Keep this guide for future reference.



# **Table of Contents**

IMPORTANT SAFETY PRECAUTIONS.....	4-5
INSTALLATION INSTRUCTIONS.....	6-13
OPERATING THE HOOD.....	14-16
MAINTENANCE.....	17-18
WARRANTY.....	19

**APPROVED FOR APPLIANCES OF INDOOR USE ONLY.**

**READ AND SAVE THESE INSTRUCTIONS.**

**PLEASE READ THE ENTIRE INSTRUCTIONS BEFORE YOU BEGIN. INSTALLATION OF THE UNIT MUST RESPECT ALL CODES.**

**IMPORTANT:** Keep these instructions in order to provide them to the electrical inspector in your area.

**INSTALLER:** Please leave these instructions with the owner of the unit.

**OWNER:** Keep these instructions for future reference.

**SECURITY WARNING:** Turn off the power circuit in the electrical panel and lock the front panel before connecting the wires of this unit.

Requirements: 220V , 50Hz

# IMPORTANT SAFETY PRECAUTIONS

## READ AND SAVE THESE

### INSTRUCTIONS CAUTION:

For indoor use only. Do not use to exhaust hazardous or explosive materials and/or vapors.

### CAUTION:

**Range hood may have very sharp edges; please wear protective gloves when installing, cleaning or servicing the unit.**

**This appliance must be installed by a qualified technician. The manufacturer declines all responsibility in case of failure to adhere to safety standards. Install this hood in accordance with all the specified requirements.**

### WARNING

**To reduce the risk of fire, electric shock or injury to persons, observe the following:**

- Use this unit only in the manner intended by the manufacturer. If you have any questions, contact the manufacturer.
- Before servicing or cleaning the unit, switch power off at the service panel and lock the service disconnecting means stop revent power from being switched on accidentally. If the service disconnecting means cannot be locked, securely fasten a noticeable warning device, such a tag, to the service panel.
- Installation work and electrical wiring must be done by a qualified person in accordance with all applicalbe codes & standards, including Fire-rated construction.
- Sufficient air is needed for proper combustion and exhausting of gases through the chimney of fuel burning equipment to prevent back-drafting.
- Follow the heating equipment manufacturer's guide line and safety standards such as those published by the National Fire Protection Association (NFPA) and the local code authorities.
- When cutting or drilling into wall or ceiling, do not damage electrical wiring and other hidden utilities.
- Ducted fans must always be vented to the outdoors.
- Do not make alterations to the original wiring.
- Do not attempt to repair or replace any part of your hood unless it is specifically recommended in this manual.
- All other servicing should be referred to a qualified technician.

### CAUTION:

**To reduce risk of fire and to properly exhaust air, be sure to duct air outside - do not vent exhaust air into spaces within walls, ceilings, attics, crawl spaces, or garages.**

**Automatically operated device - to reduce risk of injury disconnect from power supply before servicing.**

## **WARNING**

**TO REDUCE THE RISK OF FIRE, USE ONLY METAL DUCTWORK.**

## **WARNING**

**TO REDUCE THE RISK OF A RANGE TOP GREASE FIRE:**

- Never leave a range unattended.
- Boil-overs cause smoke and greasy spillovers that may ignite. Heat oils slowly on low or medium setting.
- Always turn hood ON when cooking at high heat.
- Clean the unit's surfaces frequently. Grease can accumulate on fan or filters.
- Use proper pan size. Always use cookware appropriate for the size of the surface element.

## **WARNING**

**TO REDUCE THE RISK OF INJURY TO PERSONS, IN THE EVENT OF A COOKTOP GREASE FIRE, OBSERVE THE FOLLOWING:**

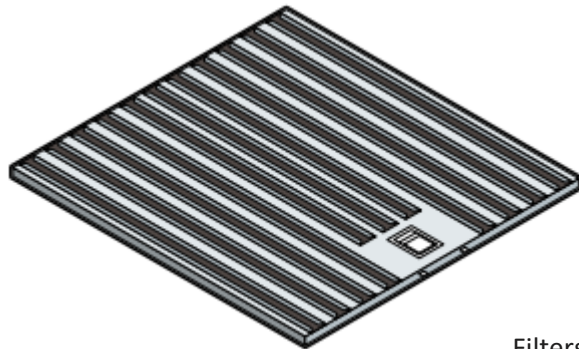
- Smother flames with a close-fitting lid, cookie sheet, or metal tray and then turn off the burner.
- If the flames do not go out immediately, **EVACUATE AND CALL THE FIRE DEPARTMENT.**
- Never pick up a flaming pan - you may **BURN YOURSELF.**
- **DO NOT USE WATER**, including wet dishcloths or towels -a violent steam explosion will result.
- Use an extinguisher **ONLY** if:
  - a) You know you have a class ABC extinguisher, and you already know how to operate it.
  - b) The fire is small and contained in the area where it started.
  - c) The fire department has been called.
  - d) You can fight the fire with your back to an exit.

# INSTALLATION INSTRUCTIONS

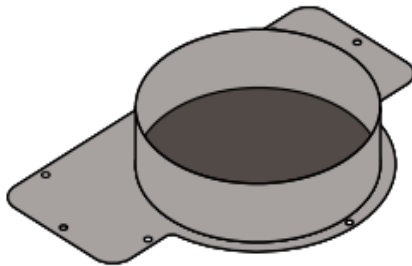
## TOOLS NEEDED TO INSTALL THE RANGE HOOD

- Safety gloves and goggles
- Electrical drill
- Phillips screwdriver
- Flathead screwdriver
- Hammer
- Adjustable wrench
- Sheet metal sheers
- Needle nose pliers
- Scissors (to cut duct tape)
- Duct tape
- Marker or pencil
- Level
- Measuring tape

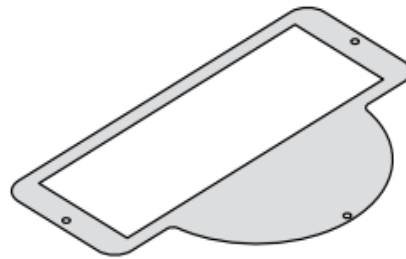
## PARTS INCLUDED



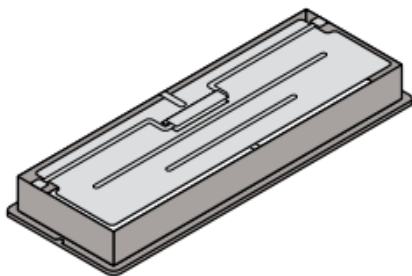
Filters



6" Adapter



Top cover for square exhaust connector



3.25" x 10" Adapter



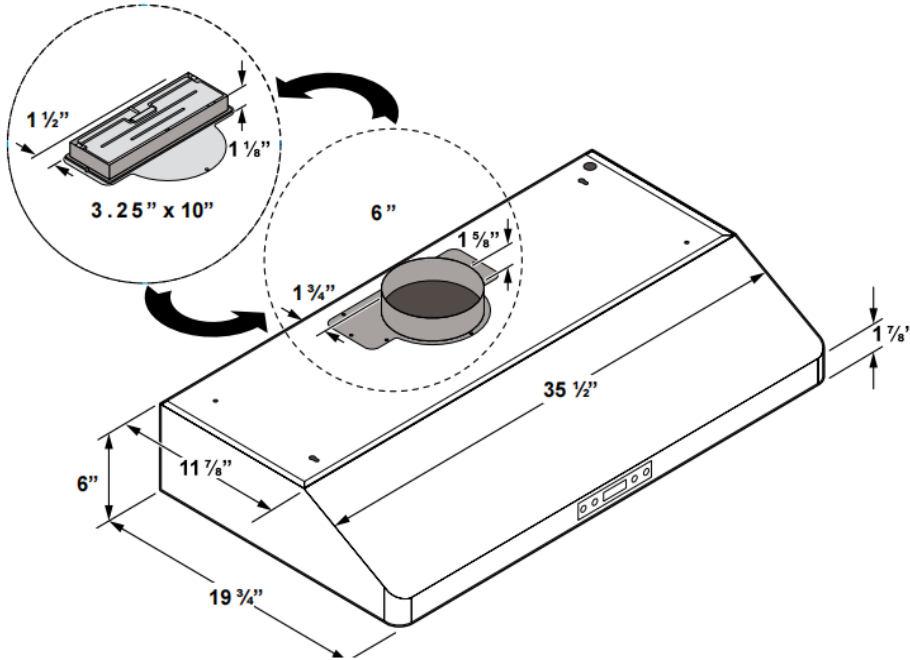
Qty: 6 pcs  
(for drywall only)



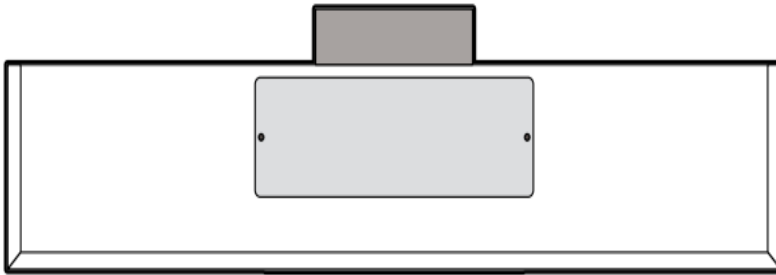
Qty: 6 pcs

# DIMENSIONS FOR 36" HOOD

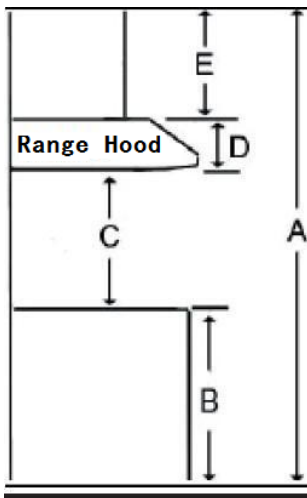
Overall View



Back View



## Installation



A	Floor to ceiling height	variable
B	Floor to counter top height (standard)	36"
C	Recommended height between cooking surface and bottom of the hood	28"-30"
D	Hood height	9.8"
E	Cabinet height	N/A

The information contained herein is based on sources that we believe to be reliable, but is not guaranteed by us, may be incomplete and/or may change without notice.

## **BEFORE INSTALLING THE HOOD**

- For the most efficient airflow exhaust, use a straight run or as few elbows as possible.
- Vent unit to the exterior only.
- At least two people are required for installation.
- Remove the range hood from the carton packaging and place on a flat surface for assembly.

## **CAUTION**

### **THIS APPLIANCE SHOULD BE PROPERLY GROUNDED.**

- The range hood must be connected with copper wire/plug only.
- Make sure the unit is connected to an individual, properly grounded circuit.
- If the electrical supply does not meet above requirements, call a licensed electrician before proceeding.
- Route house wiring as close as possible to the installation location, in the ceiling or back wall.
- The hood must be connected to the house wiring in accordance with the local codes and norms.

## **WALL FRAMING FOR ADEQUATE SUPPORT**

**THIS VENT HOOD IS HEAVY. ADEQUATE STRUCTURE AND SUPPORT MUST BE PROVIDED IN ALL TYPES OF INSTALLATION. IF MOUNTING ONTO DRY WALL, IT IS RECOMMENDED THAT THE HOOD BE SECURED TO VERTICAL STUDS IN THE WALL OR TO A HORIZONTAL SUPPORT.**

## **WARNING**

**BE CAREFUL WHEN INSTALLING THE HOOD, AS IT MAY HAVE SHARP EDGES. WE RECOMMEND THAT YOU WEAR PROTECTIVE GLOVES.**

## **CAUTION**

**DO NOT REMOVE THE PROTECTIVE PLASTIC FILM COVERING THE HOOD AT THIS STAGE.**



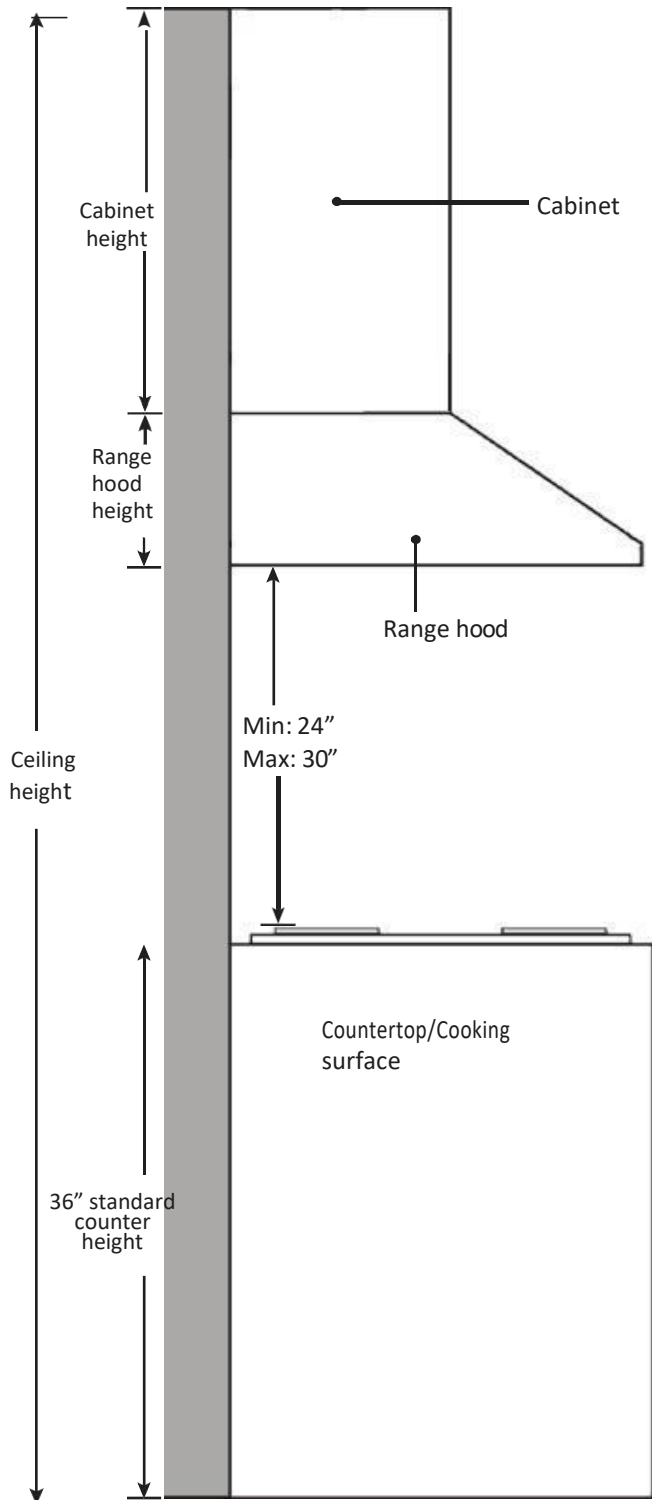
## Venting Requirements

- Vent system must evacuate to the exterior (through the roof or side wall).
- DO NOT terminate the vent system in an attic or other enclosed area.
- Use rigid metal/aluminum vent only.
- NEVER use plastic vent or plastic vent cover.
- Always keep the duct clean to ensure proper airflow.
- Calculate the following figures before installation:
  1. Distance from the floor to the ceiling.
  2. Distance between the floor and the countertop/cooking surface.
  3. Distance between the range hood and the countertop/cooking surface which is recommended at 27" to 30".
  4. Height of hood and duct cover with the cabinet.

### For the most efficient & quiet operation:

- It is recommended that the range hood be vented vertically through the roof through 6" (15cm) round metal/aluminum vent or vented horizontally through the wall through a rectangular vent measuring 3 1/4"x10".
- The size of the vent should be uniform.
- If venting vertically, do not use more than three 90° elbows. Do not install two elbows together.
- Make sure there is a minimum of 24" (61 cm) of straight vent between the elbows if more than one elbow is used.
- The length of vent system and number of elbows should be kept to a minimum to provide efficient performance.
- The vent system must have a damper. If roof or wall cap has a damper, **DO NOT** use damper (if supplied) on top of the range hood.
- Use duct tape to seal all joints in the vent system.
- Use caulking to seal exterior wall or roof opening around the cap.

## Height & Clearance



## IMPORTANT

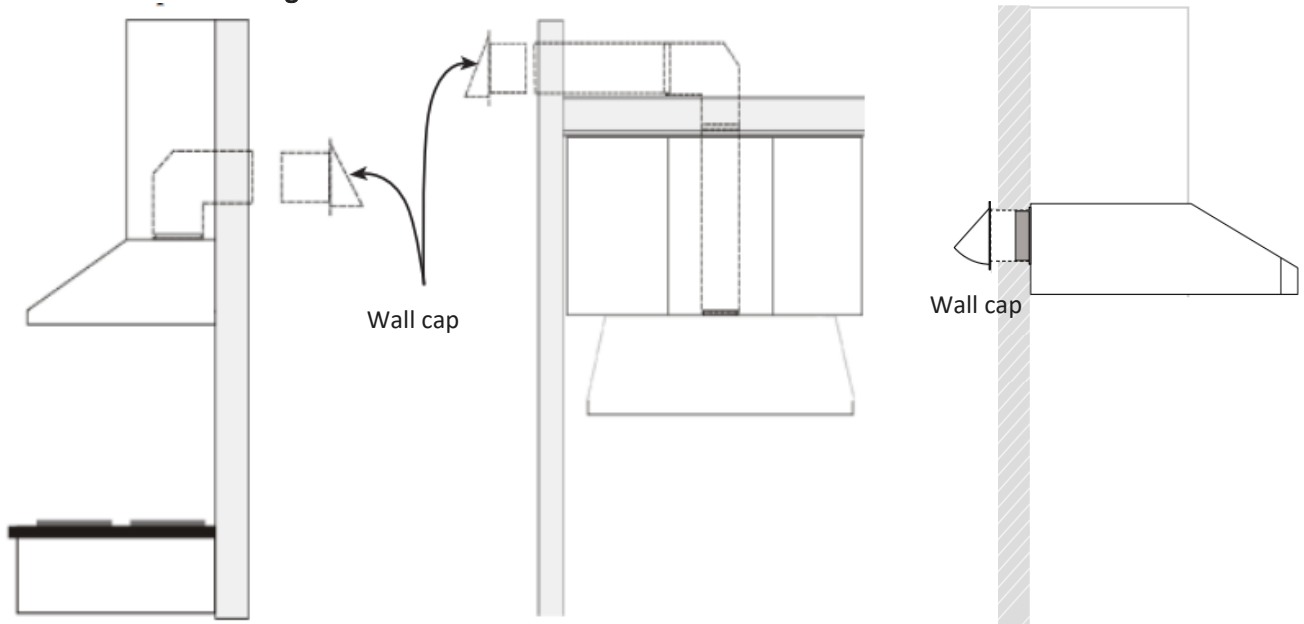
- NEVER exhaust air or terminate duct work into spaces between walls, crawl spaces, ceiling, attics or garages. All exhaust must be ducted to the outside.
- Use metal/aluminum duct work only.
- Fasten all connections with sheet metal screws and tape all joints with certified Silver Tape or Duct Tape.
- Use caulking to seal exterior wall or roof opening around the cap.

## VENTING METHODS

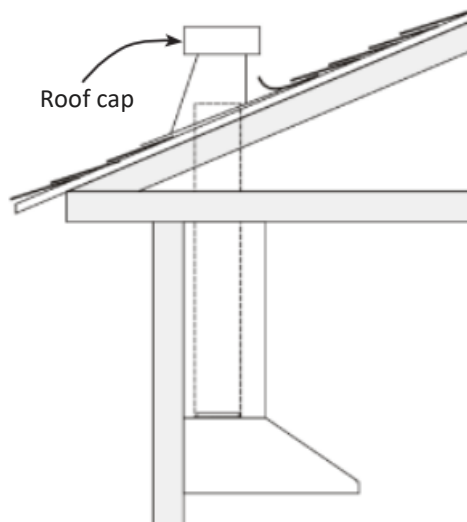
### INSTALLATION DIAGRAMS

- Vent work can terminate either through the roof or wall. To vent through a wall, a 90° elbow may be needed.
- This range hood is factory set for venting through the roof or wall. range hood as shown below:

#### Option 1: Horizontal venting



#### Option 2: Vertical venting





## ELECTRICAL REQUIREMENTS AND INSTALLATION WARNING

**THIS RANGE HOOD MUST BE PROPERLY GROUNDED. TURN OFF ELECTRICAL POWER AT SERVICE ENTRANCE BEFORE WIRING. CHECK TO MAKE SURE THAT THE ELECTRIC CORD IS NOT IN CONTACT WITH THE SHARP EDGES OF THE APPLIANCE.**

**IMPROPER GROUNDING CAN RESULT IN A RISK OF ELECTRIC SHOCK. CONSULT A QUALIFIED ELECTRICIAN IF THE GROUNDING INSTRUCTIONS ARE NOT COMPLETELY UNDERSTOOD OR IF THERE IS DOUBT AS TO WHETHER THE APPLIANCE IS PROPERLY GROUNDED. DO NOT USE AN EXTENSION CORD. IF THE POWER SUPPLY CORD IS TOO SHORT, HAVE A QUALIFIED ELECTRICIAN INSTALL AN OUTLET NEAR THE APPLIANCE.**

- This appliance must be plugged into an outlet that is properly installed and grounded. In the event of an electrical short circuit, grounding reduces the risk of electric shock by providing an escape wire for the electric current.
- Position the outlet offset so that the power cord will not interfere with the round duct. Make sure this does not interfere with the mounting bracket.

## ADVANCED PREPARATION

 <h3>WARNING</h3> <p>Three or more persons are required to move and install this range hood. Spinal or other bodily injuries could occur if these instructions are not followed.</p>	 <h3>WARNING</h3> <p><b>Risk of severe injury</b> Rotating fan can cause severe injury. Stay clear of fan when motor is running.</p>
---	---

- Decide on the location of the venting pipe from the hood to the outside.
- A straight, short vent run will allow the hood to perform more efficiently. Try to avoid as many transitions, elbows and long runs as possible. This may reduce the hood's performance.
- Use duct tape to seal joints between pipe sections.
- For installing under the cabinet with recessed bottom, attach 4" wide wood filler strips (not provided) on each side. See Figure 1.
- Using references in measurements and installation diagrams (see page 7), create access opening for electrical wires and hood exhaust under the cabinet.

**CAUTION: If moving the cooking range to install the hood, turn OFF the power at the main electrical box. SHUT OFF THE GAS BEFORE MOVING A GAS RANGE.**

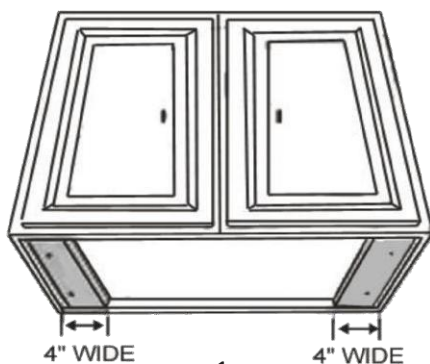


Figure 1

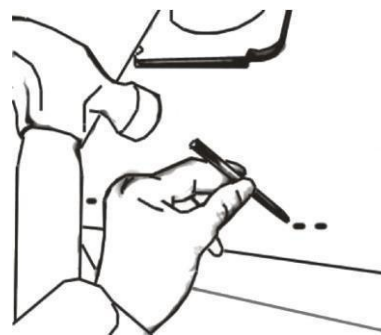


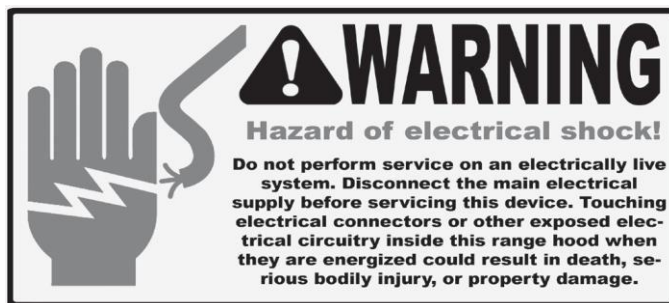
Figure 2

- Puncture the knockout holes (for mounting under the cabinet) on the hood as shown in Figure 2.
- If necessary, attach two rubber stands with adhesive tapes to the back corners of the hood.

## INSTALLATION

Measure the distance between the cooking surface and the bottom of the range hood. A distance of 24" to 30" is recommended\*.

\* Due to different ceiling height configurations, the recommended height may not be applicable.

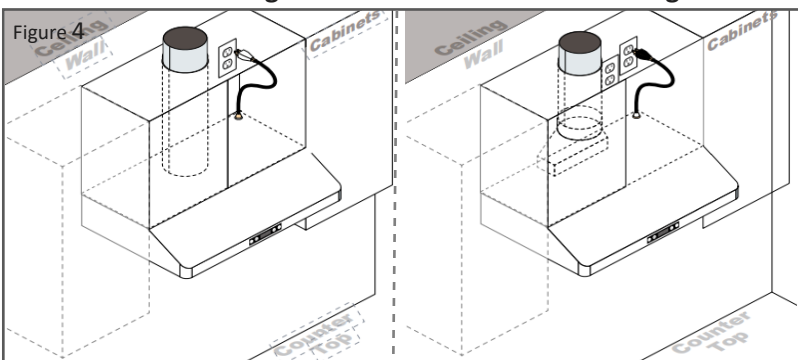
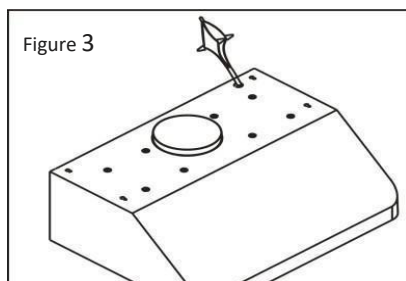


**Step 1:** You have **two options** for installing this range hood (see INSTALLATION DIAGRAMS on page 7):

A. Determine the venting method and proceed if you would like to vent **VERTICALLY**.

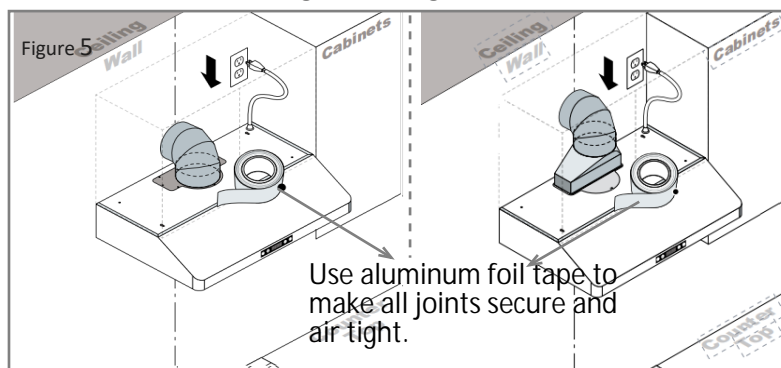
1. Using references in the *Height & Clearance* diagram, determine and clearly mark the centerline on the bottom of the cabinet.
2. Draw electrical wires through cabinet access opening on top of the range hood (refer to figure 3), center the hood beneath the cabinet and flush with the front of the cabinet.
3. From inside the hood, place hood mounting screws in the exact center of each knockout holes and secure to the cabinet bottom. Tighten all screws until secure. Be careful when using electrical screwdriver in order not to damage the range hood. Connect and secure the metal duct (refer to figure 4). Skip Part B below and proceed to **Step 2**..

**CAUTION: Make certain the range hood is secure before releasing!**



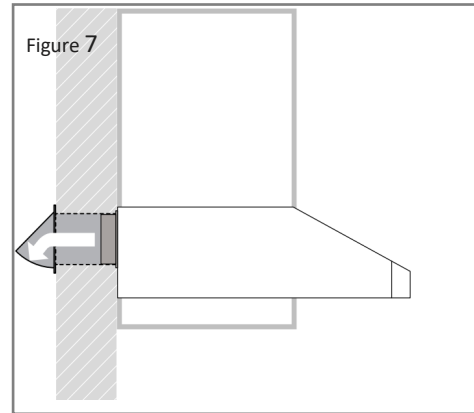
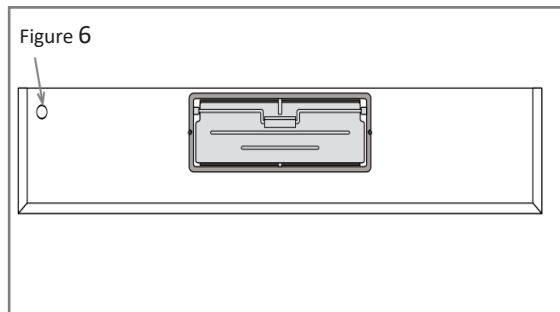
B. Determine the venting method and proceed if you would like to vent **HORIZONTALLY**.

1. Using references in the *Height & Clearance* diagram, determine and clearly mark a centerline on the wall.
- 2-1. Draw electrical wires through cabinet access opening on top of the range hood (refer to figure 3), center the hood beneath the cabinet and flush with the front of the cabinet.
- 3-1. From inside the hood, place hood mounting screws in the exact center of each knockout holes and secure to the cabinet bottom. Tighten all screws until secure. Be careful when using electrical screwdriver in order not to damage the range hood. Connect and secure the metal duct (refer to figure 5).



## INSTALLATION (continued)

- 2-2. Draw electrical wires through cabinet access opening on back of the range hood (refer to figure 6), center the hood beneath the cabinet and flush with the front of the cabinet.
- 3-2. From inside the hood, place hood mounting screws in the exact center of each knockout holes and secure to the cabinet bottom. Tighten all screws until secure. Be careful when using electrical screwdriver in order not to damage the range hood. Connect and secure the metal duct (refer to figure 7).

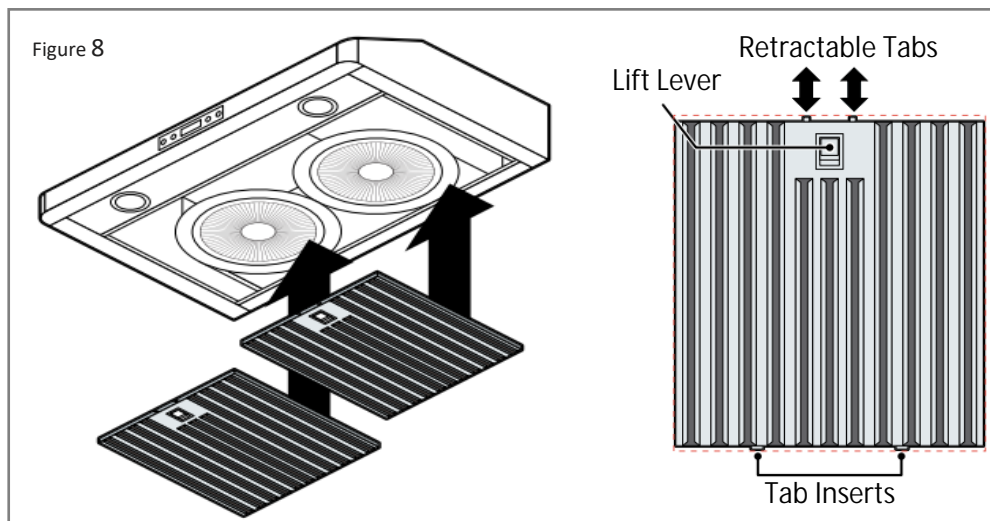


### Step 2:

For safety purpose, pre-drilled mounting holes are provided through the back of the hood. For a more secure installation, use as many mounting holes as needed to secure from the inside of hood.

### Step 3:

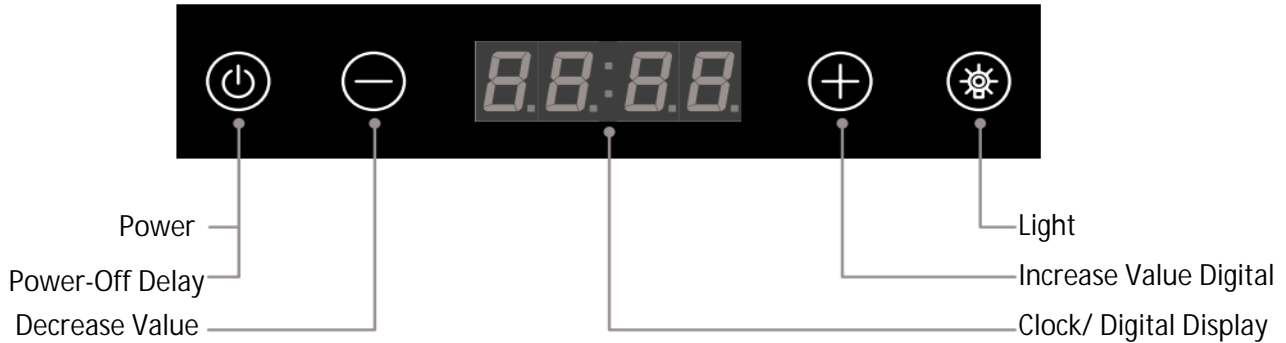
Angle filter and direct tab inserts toward the aft slot of the range hood opening. While continuing to install the filter, ensure you lift the lever for the retractable tabs to clear way for flush insertion. When filter sits flush within the opening, release the lever to lock in place (refer figure 8).



- Step 4: Turn power ON in control panel. Check all lights and fan operations.

## RANGE HOOD OPERATIONS

Control Panel Layout and Buttons Configurations:



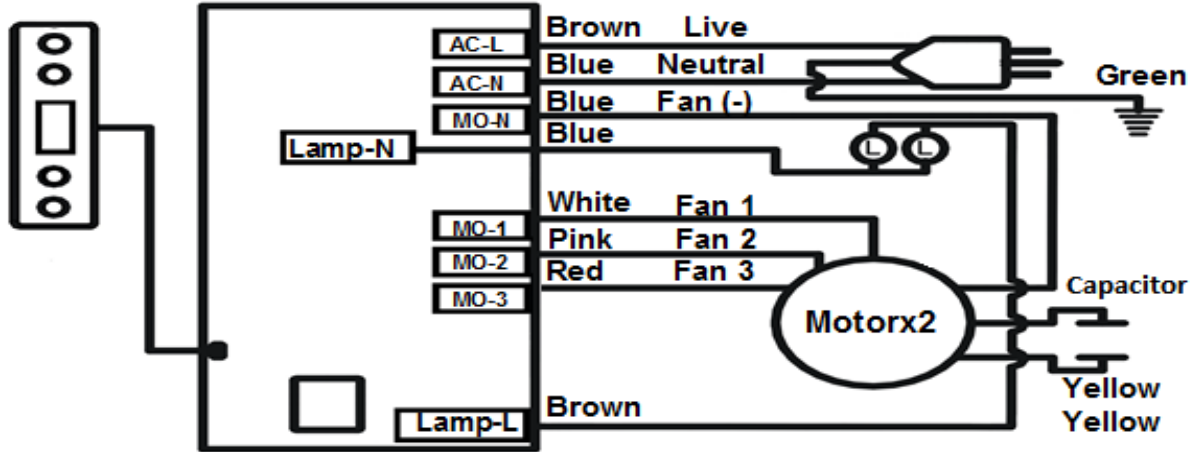
### BUTTON FUNCTIONS:

- Power: Power ON/OFF the range hood and activate power-of delay timer.
- Decrease Value: Blower (motor) speed decrease, timer value decrease, and enter timer mode.
- Increase Values: Blower (motor) speed increase, timer value increase, and cleaning reminder reset.
- Digital Display: Display current time when motor is OFF. Shows current blower (motor) speed (F1-F3)
- Light: Turns ON/OFF lights.

### CONTROLS:

- Adjusting the blower (motor) speed:
  - Press Power button once to turn on the system. The Digital Display shows the blower (motor) speed level.
  - Press Decrease Value button will decrease the speed of the blower (motor) from F3 to F1 (strongest to quietest). Press Increase Value button will increase the speed of the blower (motor) from F1 to F3 (quietest to strongest).
- Adjusting the delay timer function:  
Three-Minute Delay Power-Of
  - While the fans are running, press Power button once to enter Power-Of Delay Timer mode, the Digital Display will flash and blower (motor) will turn off after 3 minutes.
  - During this 3 minutes delay, changing speeds will not affect the countdown.
  - The 3 minute Power-Of Delay Timer function can be cancelled by pressing Power button once.
- Immediate Power-Off
  - When the fans are operating in normal mode (Power-Of Delay Timer inactivated), rapidly press the Power Control (On/Of) button twice to turn off the blower (motor).
- Lights:
  - Press Light button once to turn on the lights, and once again to turn off the lights.

## CIRCUIT DIAGRAM



## SPECIFICATIONS

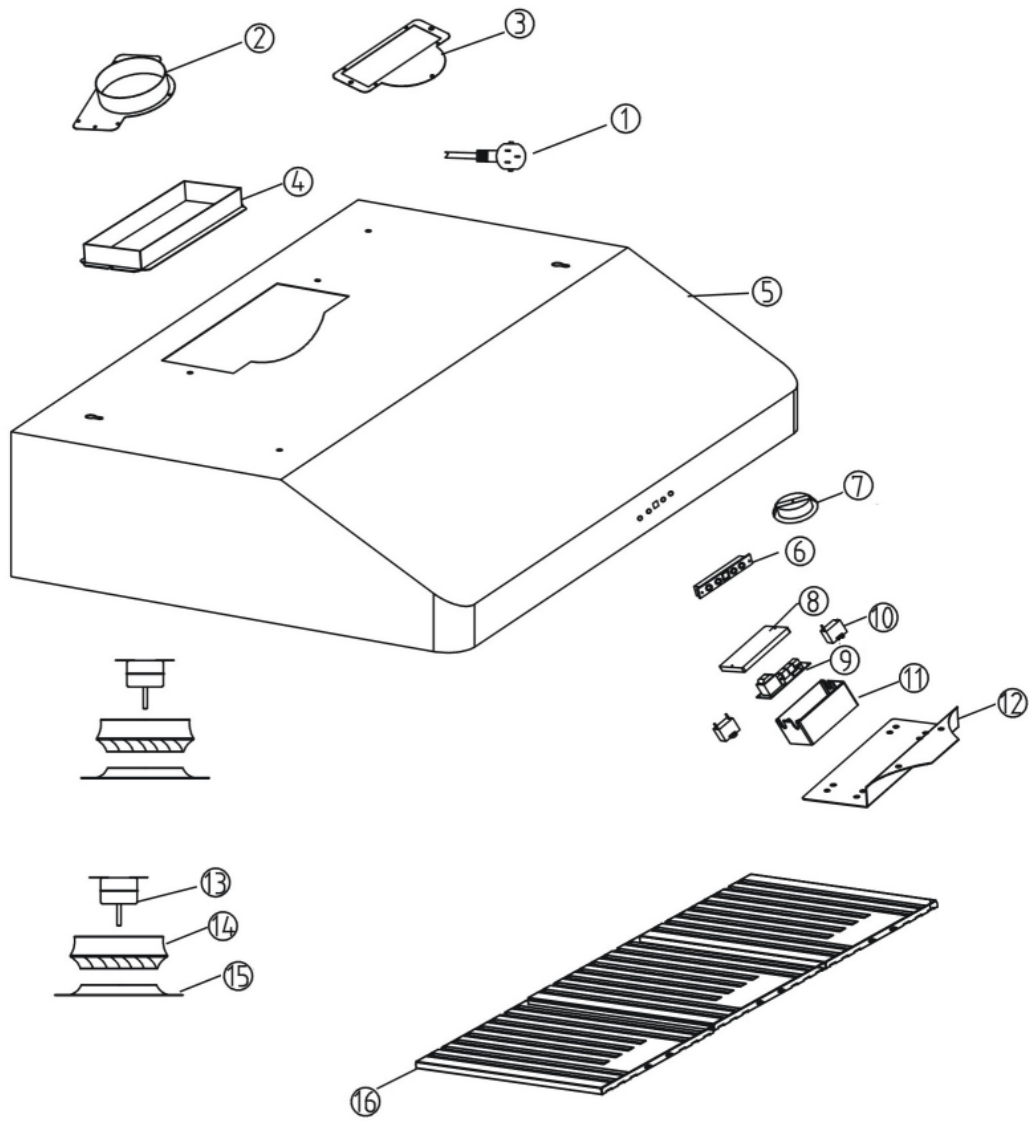
Specifications <sup>3</sup> :	
Body Design	Seamless Stainless Steel, Satin Finish
Power Rating	220-240V/50Hz
General Input Power	126W
Motor Input Power	120W(60W+60W)
Ampere	1.5A
Levels Of Speed Control	3 Leves
Airflow(Max)	560CFM
Noise Level (dB / sone)	1.0Sone(40dB) / 2.8Sone(55dB) / 5.3Sone(64dB)
Number Of Motors	2 Motors
Motor Type	Single Chamber Ultra Quiet
Fan Type	Centrifugal Squirrel Cage
Control Type	Touch Sensitive Electronic Control Panel
Filtration Type	Stainless Steel Baffle Filter
Illumination	3W 12V LED Light
Venting Size	6 inches Round (Top); 3-1/4 x 10 inches Rectangular (Top & Rear)
Interference Protection	Radio Frequency Interference Protected

1. In House Test Static Pressure "0".

2. One sone is roughly equivalent to the sound of a refrigerator (1kHz) at 40 decibels.  
3. Subject to change without notice, please contact your local reseller for details.

# RANGE HOOD ASSEMBLY

No.	Description	Quantity
1	Power Cord	1
2	6-inch Round Duct Connector	1
3	Square Duct Connector	1
4	Square Duct Connector	1
5	Hood Body	1
6	Control Panel	1
7	LED Light	2
8	Lid of Plastic box	1
9	Main Circuit Board	1
10	Capacitor	1
11	Plastic box	1
12	Protective Panel	1
13	Motor	2
14	Fan blade	2
15	Protective Cover	2
16	Baffle Filter	3





# **MAINTENANCE**

## **SAFETY WARNING: NEVER PUT YOUR HAND INTO AREA HOUSING THE FAN**

For optimal operation, clean range hood, surfaces and filters regularly. Regular care will help preserve the appearance of the range hood.

## **CLEANING THE EXTERIOR SURFACES**

Clean periodically with hot soapy water and clean cotton cloth. Do not use corrosive or abrasive detergent or steel wool pads, which will scratch and damage the stainless-steel surface. For heavier soil, use a liquid degreasing cleaner. Use a stainless-steel cleaner to clean the surface of the hood. Avoid getting cleaning solution onto or into the control panel. Follow directions of the stainless-steel cleaner.

## **CAUTION**

**USE SOFT TOWEL TO WIPE OFF THE CLEANING SOLUTION, GENTLY RUB OFF ANY STUBBORN SPOTS. USE DRY SOFT TOWEL TO DRY THE HOOD. ALWAYS SCRUB LIGHTLY WITH CLEAN COTTON CLOTH AND IN THE DIRECTION OF THE GRAIN.**

**DO NOT ALLOW DEPOSITS TO ACCUMULATE OR REMAIN ON THE HOOD. DO NOT USE ORDINARY STEEL WOOL OR STEEL BRUSHES. SMALL BITS OF STEEL MAY ADHERE TO THE SURFACE AND CAUSE RUSTING.**

**DO NOT ALLOW SALT SOLUTIONS, DISINFECTANTS, BLEACHES OR CLEANING COMPOUNDS TO REMAIN IN CONTACT WITH STAINLESS STEEL FOR EXTENDED PERIODS. MANY OF THESE COMPOUNDS CONTAIN CHEMICALS, WHICH MAY BE HARMFUL. RINSE WITH WATER AND WIPE DRY WITH A CLEAN CLOTH.**

## **CLEANING THE GREASE FILTER**

The filters are intended to filter out residue and grease from cooking and are required to be kept clean. Filters should be cleaned after every 30 hours of use (or once a month, depending on use). Remove and clean by hand in soapy water or in the dishwasher. Dry filters and re-install. If cleaning the filters in the dishwasher, use a non-phosphate detergent. The use of detergent with phosphate may cause discoloration of the filters but will not affect their performance. This discoloration is not covered by the warranty.

## **REPLACING THE FILTERS**

If filters wear out due to prolonged use, please contact your service/parts provider for replacement filters.

**NOTE: ALSO REPLACE DAMAGED FILTER THAT HAS PUNCTURED OR BROKEN MESH, BENT OR BROKEN FRAME.**

## **CLEANING THE STAINLESS-STEEL SURFACE**

Regularly wash surface with dry cloth or clean cloth soaked in warm water and mild soap or liquid dish detergent. Always clean following the grain. Always rinse thoroughly with clear water (2-3 times) and wipe dry completely. Specially designed stainless-steel cleaners can also be used.

## **GREASE CUP**

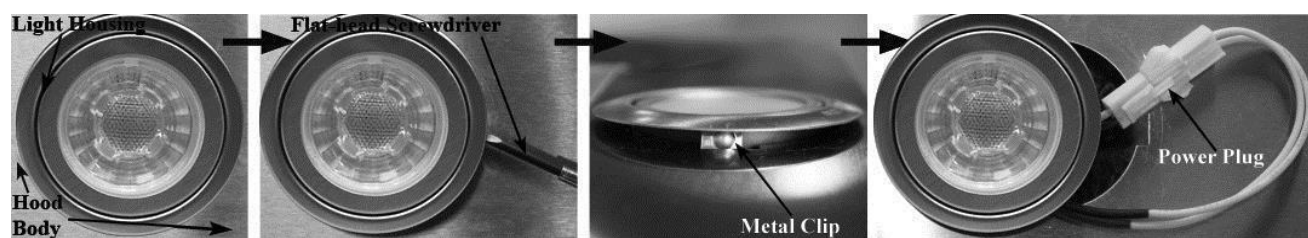
Take good care of installing the grease tunnel properly and to empty and clean it on a regular basis.

## REPLACING THE LED LIGHT BULBS

**CAUTION:** LED lamps can only be replaced with a new LED lamp. The lamp rating must be equal to the one already used. Make sure all the control switches are off and the hood is unplugged, or the breaker is OFF.

Replacing the LED light fixture:

- This range hood uses LED light fixture: 3W Max 12V LED
- Make sure the range hood is unplugged or turn OFF breaker and make sure the lights are cool to touch.
- Place a flat-head screwdriver between light housing and hood body, gently pry up the light housing and search for the metal clip.
- Apply force to the metal clip and pull out the light fixture. Disconnect the power cable and discard the old light fixture.
- Reverse the steps to install a new LED light fixture. Turn ON breaker and range hood to test for operation.



# SERVICE AND WARRANTY

## LIMITED WARRANTY

### One Year Parts Warranty:

For one year from the date of original purchase, your local reseller will provide free of charge, non-consumable replacement parts or components that failed due to manufacturing defects. Subject to the conditions and limitations set forth below, your local reseller will, at its option, either repair or replace any part of its products that prove defective by reason of improper workmanship or materials. Repaired parts or replacement products will be provided by your local reseller on an exchange basis, and will be either new or refurbished to be functionally equivalent to new. The consumer is responsible for all shipping costs. Consumable parts not covered by this warranty include but not limited to: Light bulbs, metal and control panel.

### Who is Covered:

This warranty is extended to the original purchaser for products purchased for indoor use.

### This Warranty Will Be Voided When:

Product damaged through negligence, improper installation, accident, abuse, misuse, natural disaster, insufficient or excessive electrical supply, abnormal mechanical or environmental conditions, or any unauthorized disassembly, repair, modification, or failure to follow installation instructions. When product is used commercially or other than its intended purpose. Damaged because of improper connection with equipment of other manufacturers. Repaired or modified by anyone other than your local reseller's authorized agents. This limited warranty also does not apply to any product on which the original identification information has been altered, obliterated or removed, has not been handled or packaged correctly or has been sold as second-hand.

### What is Not Covered:

Consumable parts such as light bulbs, metal and control panel. The natural wear of finish, and wear due to improper maintenance, use of corrosive and abrasive cleaning products, pads, and oven cleaner products. Chips, dents or cracks due to abuse, misuse, freight damage, or improper installation. Damage of product caused by accident, fire, floods or act of God. The manufacturer and/or distributor/reseller is not liable for, and does not cover under warranty, any loss of properties or any costs associated with removing, servicing, installing, or determining the source of problems with this product.

This warranty is valid in the country of the original purchase at retail. It is non-transferable and applies only to the original purchaser and does not extend to subsequent owners of this product. Any applicable implied warranties, including the warranty of merchantability, are limited in duration to a period of express warranty as provided herein beginning with the date of original purchase at retail and, no warranties, whether express or implied, shall apply to this product thereafter.

To obtain warranty service, you may contact your local reseller from which you purchased this product. Please confirm the terms of your local reseller's policies prior to contacting. Typically, you must include product identification information, including model number and serial number with a detailed description of the problem you are experiencing. You must also include proof of the date of original retail purchase as evidence that the product is within the applicable warranty period.

## Contact Us

If you need any assistance, please contact your local reseller. Please have your order number and model of the range hood ready. This information will help them better respond to your request.

If you need replacement parts, we recommend that you only use genuine parts. Our accessories and parts are engineered and designed specifically for this series of range hood, each is rigorously tested assuring the utmost in durability and reliability, providing a factory match, factory-installed appearance and functionality tailored to each individual range hood model.

