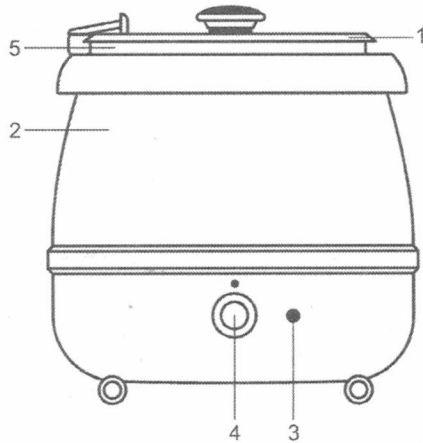


User Manual



Assembling Parts

- 1 Lid
- 2 Soup Kettle Body
- 3 Power Indicator Lamp
- 4 Temperature Controller
- 5 Stainless Steel Soup Container



capacity: 10 liter	voltage: 220V/400W
weight: 4.70kg	size: 37*37*40cm



Read these instructions before using & keep it for future reference
CAUTION! HOT SURFACE!

Warnings

- * This kettle must be placed on a level surface.
- * Do not leave this kettle unattended while it is in use.
- * Never immerse the kettle in water.
- * Do not operate the soup kettle while it is empty.
- * Do not overfill the kettle with water.
- * Never move or carry the kettle when it is "ON" or if it is full of hot liquids.
- * Do not attempt to repair or replace the power cord. Contact a qualified service agent.
- * Be careful not to touch any hot surfaces. Make sure the power cord does not come in contact with any hot surfaces.

Operation

- * Place the soup kettle on a solid, level surface.
- * Open the lid and pour 0.6 litres of water into the internal aluminium water tank. Take care not to overfill with water. Do not exceed the "MAX" water level line. Remove any excess water before use.
- * Turn the soup kettle between temperature control range 0°C-80°C. The power indicator light will glow, showing that the unit is on. Turn to OFF, the unit does not work.

Note:

- * This soup kettle is not designed to cool soups or sauces, nor is it designed to rethermalize cold or frozen products.
- * Always keep the hinged lid attached and closed when not serving.

Cleaning and Maintenance

Spilled food should be removed immediately from all exterior surfaces. Also, it is important to clean the soup kettle after use. To remove dirt or marks from the kettle, it is best to wipe with a soft, damp cloth. The stainless steel is washable. The kettle must not be cleaned using a high-pressure jet.

How to assemble the soup kettle

