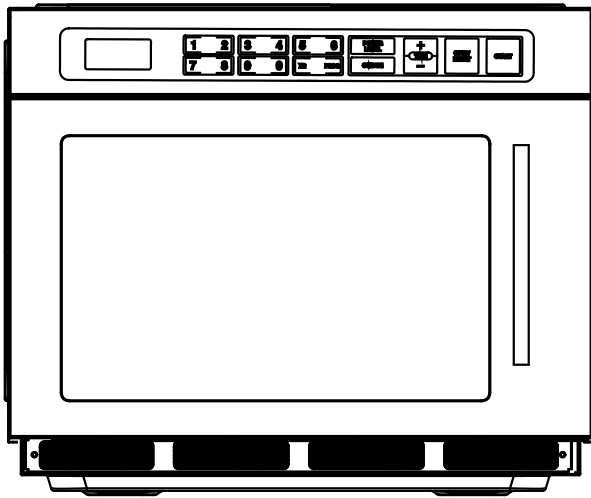


Microwave Oven Instructions



Model: SEE30FYLH-SABC0G

CONTENT

SPECIFICATIONS	1
PRECAUTIONS TO AVOID POSSIBLE EXPOSURE TO EXCESSIVE MICROWAVE ENERGY	2
IMPORTANT SAFETY INSTRUCTIONS	2
INSTALLATION GUIDE	5
GROUNDING INSTRUCTIONS	6
RADIO INTERFERENCE	7
BEFORE CALLING FOR SERVICE	7
COOKING TECHNIQUES	7
COOKING UTENSILS GUIDE	8
PRODUCT DIAGRAM	8
CONTROL PANEL	12
DIGITAL DISPLAY ACTION INDICATORS	12
OPERATION INSTRUCTIONS	13
MICROWAVE COOKING	13
SRORE COOKING PROGRAM.....	13
HOW TO USE THE X2 BUTTON.....	14
SWITCH FUNCTION.....	15
ADJUST THE COOKING TIME	15
COUNT OF OPERATIONS	15
RETURN TO FACTORY SETTING.....	16
CHILD LOCK	16
CLEANING AND CARE	17

SPECIFICATIONS

Power Supply	230-240V/ 50Hz
Power Consumption (Microwave)	2800W(2 TUBES) 1400W (1 TUBE)
Rated Microwave Power Output:	1800W(2 TUBES) 900W (1 TUBE)
Operation Frequency:	2450MHz
Outside Dimensions:	405mm(H)×490mm(W)×637mm(D)
Oven Cavity Dimensions:	224mm(H)×374mm(W)×378mm(D)
Oven Capacity:	30Litres
Net Weight:	Approx. 34.5kg

PRECAUTIONS TO AVOID POSSIBLE EXPOSURE TO EXCESSIVE MICROWAVE ENERGY

1. Do not attempt to operate this oven with the door open since open-door operation can result in harmful exposure to microwave energy. It is important not to defeat or tamper with the safety interlocks.
2. Do not place any object between the oven front face and the door or allow soil or cleaner residue to accumulate on sealing surfaces.
3. Do not operate the oven if it is damaged. It is very important that the oven door close properly and that there is no damage to the
 - a) Door (including any bent),
 - b) Hinges and latches (broken or loosened),
 - c) Door seals and sealing surfaces.
4. The oven should not be adjusted or repaired by anyone except qualified service personnel.

IMPORTANT SAFETY INSTRUCTIONS

When using electrical appliance basic safety precautions should be followed, including the following:

WARNING!--To reduce the risk of burns, electric shock, fire, injury to persons or exposure to excessive microwave energy:

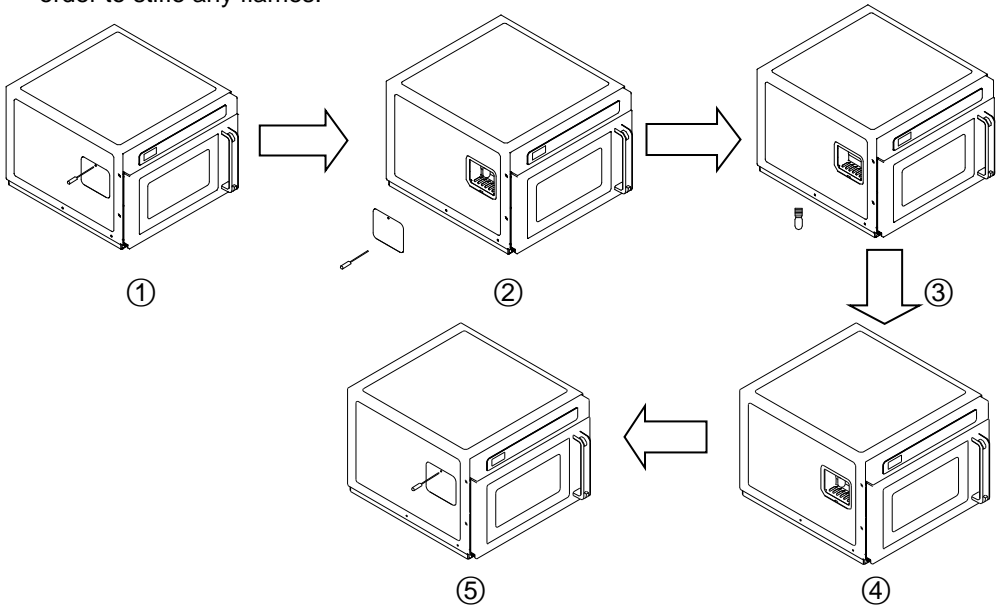
1. Use this appliance only for its intended use as described in the manual. Do not use corrosive chemicals or vapors in this appliance. This type of oven is specifically designed to heat, cook or dry food. It is not designed for industrial or laboratory use.
2. Do not operate the oven when empty.
3. Do not operate this appliance if it has a damaged cord or plug, if it is not working properly, or if it has been damaged or dropped. If the supply cord is damaged, it must be replaced by the manufacturer or its service agent or a similarly qualified person in order to avoid a hazard.
4. **WARNING!**--Only allow children to use the oven without supervision when adequate instructions have been given so that the child is able to use the oven in a safe way and understands the hazards of improper use.

5. To reduce the risk of fire in the oven cavity:
 - When heating food in plastic or paper container, keep an eye on the oven due to the possibility of ignition.
 - Remove wire twist-ties from paper or plastic bags before placing bag in oven.
 - If smoke is observed, switch off or unplug the appliance and keep the door closed in order to stifle any flames.
 - Do not use the cavity for storage purposes. Do not leave paper products, cooking utensils, or food in the cavity when not in use.
 - The microwave oven is intended for heating food and beverages. Drying of food or clothing and heating of warming pads, slippers, sponges, damp cloth and similar may lead to risk of injury, ignition or fire.
6. **WARNING!**--Liquid or other food must not be heated in sealed containers since they are liable to explode.
7. Microwave heating of beverages can result in delayed eruptive boiling, therefore care has to be taken when handle the container.
8. Do not fry food in the oven. Hot oil can damage oven parts and utensils and even result in skin burns.
9. Eggs in their shell and whole hard-boiled eggs should not be heated in microwave ovens since they may explode even after microwave heating has ended.
10. Pierce foods with heavy skins such as potatoes, whole squashes, apples and chestnuts before cooking.
11. The contents of feeding bottles and baby food jars should be stirred or shaken and the temperature should be checked before serving in order to avoid burns.
12. Cooking utensils may become hot because of heat transferred from the heated food. Potholders may be needed to handle the utensil.
13. Utensils should be checked to ensure that they are suitable for use in microwave oven.
14. **WARNING!**--It is hazardous for anyone other than a trained person to carry out any service or repair operation which involves the removal of any cover which gives protection against exposure to microwave energy.
15. This product is a Group 2 Class B ISM equipment. The definition of Group 2 which contains all ISM (Industrial, Scientific and Medical) equipment in which radio-frequency energy is intentionally generated and/or used in the form of electromagnetic radiation for the treatment of material, and spark erosion equipment. For Class B equipment is equipment suitable for use in domestic establishments and in establishments directly connected to a low voltage power supply network which supplies buildings used for domestic purpose.
16. This appliance is not intended for use by persons (including children) with reduced

- physical, sensory or mental capabilities, or lack of experience and knowledge, unless they have been given supervision or instruction concerning use of the appliance by a person responsible for their safety.
17. Children should be supervised to ensure that they do not play with the appliance.
 18. The microwave oven is only used in freestanding.
 19. **WARNING!**--Do not install oven over a range cook top or other heat-producing appliance. if installed could be damaged and the warranty would be avoid .
 20. The microwave oven shall not be placed in a cabinet.
 21. **WARNING!**--The appliance and its accessible parts become hot during use.
 22. **WARNING!**--Accessible parts may become hot during use. Young children should be kept away.
 23. During use the appliances becomes hot. Care should be taken to avoid touching heating elements inside the oven, for cooking ranged and ovens.
 24. The temperature of accessible surfaces may be high when the appliance is operating.
 25. The appliance shall be placed against a wall.
 26. Appliance is not to be used by children or persons with reduced physical, sensory or mental capabilities, or lack of experience and knowledge, unless they have been given supervision or instruction.
 27. **WARNING!**--If the door or door seals are damaged, the oven must not be operated until it has been repaired by a competent person.
 28. The appliances are not intended to be operated by means of an external timer or separate remote-control system.
 29. The microwave oven is for commercial use.
 30. Never remove the distance holder in the back or on the sides, as it ensures a minimum distance from the wall for air circulation.
 31. Please secure the turntable before you move the appliance to avoid damages.
 32. **CAUTION!**--It is dangerous to repair or maintain the appliance by no other than a specialist because under these circumstances the cover have to be removed which assures protection against microwave radiation. This applies to changing the power cord or the lighting as well. Send the appliance in these cases to our service centre.
 33. The microwave oven is intended for defrosting, cooking and steaming of food only.
 34. Use gloves if you remove any heated food.
 35. Caution! Steam will escape, when opening lids or wrapping foil.
 36. This appliance can be used by children aged from 8 years and above and persons with reduced physical, sensory or mental capabilities or lack of experience and knowledge if they have been given supervision or instruction concerning use of the appliance in a safe way and understand the hazards involved. Children shall not

play with the appliance. Cleaning and user maintenance shall not be made by children unless they are aged from 8 years and above and supervised.

37. If smoke is emitted, switch off or unplug the appliance and keep the door closed in order to stifle any flames.



Please take the steps below to replace the oven lamp:

1. Cut off the power and loose the screw of the lamp cover with suitable screwdriver under the safe condition. Please make sure the oven is unplugged to shut off the oven before you take any step.

(lamp type: LD-LED-T22 Z187 Power Supply: 230V/1.5W)

2. Remove the lamp cover.

3. Turn the lamp in anti-clockwise direction gently to take it off.

4. Turn the new lamp in clockwise direction to install it well.

5. Install the lamp cover and fasten it with screw.

6. If you have any question, please contact the professional to replace the lamp.

INSTALLATION GUIDE

1. Make sure that all the packing materials are removed from the inside of the door.
2. **WARNING!**--Check the oven for any damage, such as misaligned or bent door, damaged door seals and sealing surface, broken or loose door hinges and latches

and dents inside the cavity or on the door. If there is any damage, do not operate the oven and contact qualified service personnel.

3. This microwave oven must be placed on a flat, stable surface to hold its weight and the heaviest food likely to be cooked in the oven.
4. Do not place the oven where heat, moisture, or high humidity are generated, or near combustible materials.
5. For correct operation, the oven must have sufficient airflow. Allow 20 cm of space above the oven, 10 cm at back and 5 cm at both sides. Do not cover or block any openings on the appliance. Do not remove feet.
6. Do not operate the oven without glass tray, roller support, and shaft in their proper positions.
7. Make sure that the power supply cord is undamaged and does not run under the oven or over any hot or sharp surface.
8. The socket must be readily accessible so that it can be easily unplugged in an emergency.
9. Do not use the oven outdoors.

GROUNDING INSTRUCTIONS

This appliance must be grounded. This oven is equipped with a cord having a grounding wire with a grounding plug. It must be plugged into a wall receptacle that is properly installed and grounded. In the event of an electrical short circuit, grounding reduces risk of electric shock by providing an escape wire for the electric current. It is recommended that a separate circuit serving only the oven be provided. Using a high voltage is dangerous and may result in a fire or other accident causing oven damage.

WARNING!--Improper use of the grounding plug can result in a risk of electric shock.

Note:

1. If you have any questions about the grounding or electrical instructions, consult a qualified electrician or service person.
2. Neither the manufacturer nor the dealer can accept any liability for damage to the oven or personal injury resulting from failure to observe the electrical connection procedures.

The wires in this cable main are colored in accordance with the following code:

Green and Yellow = EARTH

Blue = NEUTRAL

Brown = LIVE

RADIO INTERFERENCE

Operation of the microwave oven can cause interference to your radio, TV, or similar equipment. When there is interference, it may be reduced or eliminated by taking the following measures:

1. Clean door and sealing surface of the oven.
2. Reorient the receiving antenna of radio or television.
3. Relocate the microwave oven with respect to the receiver.
4. Move the microwave oven away from the receiver.
5. Plug the microwave oven into a different outlet so that microwave oven and receiver are on different branch circuits.

BEFORE CALLING FOR SERVICE

Before asking for service, please check each item below:

- Check to ensure the oven is plugged in securely. If not, remove the plug from the outlet, wait 10 seconds, and plug it in again securely.
- Check for a blown circuit fuse or a tripped main circuit breaker. If these seem to be operating properly, test the outlet with another appliance.
- Check to ensure the control panel is programmed correctly and the timer is set.
- Check to ensure the door is securely closed, engaging the door lock system. If the door is not properly closed, the microwave energy will not flow inside.

IF NONE OF THE ABOVE RECTIFIES THE SITUATION, THEN CONTACT A QUALIFIED TECHNICIAN. DO NOT TRY TO ADJUST OR REPAIR THE OVEN YOURSELF.

COOKING TECHNIQUES

1. Arrange food carefully. Place thickest areas towards outside of dish.
2. Watch cooking time. Cook for the shortest amount of time indicated and add more as needed. Food severely overcooked can smoke or ignite.
3. Cover foods while cooking. Covers prevent spattering and help foods to cook evenly.
4. Turn foods over once during microwave cooking to speed cooking of such foods as chicken and hamburgers. Large items like roasts must be turned over at least once.
5. Rearrange foods such as meatballs halfway through cooking both from top to bottom and from the center of the dish to the outside.

COOKING UTENSILS GUIDE

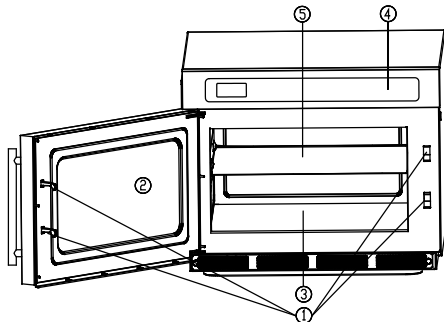
1. Microwave cannot penetrate metal. Only use utensils that are suitable for use in microwave ovens. Metallic containers for food and beverages are not allowed during microwave cooking. This requirement is not applicable if the manufacturer specifies size and shape of metallic containers suitable for microwave cooking.
2. Microwave cannot penetrate metal, so metal utensils or dishes with metallic trim should not be used.
3. Do not use recycled paper products when microwave cooking, as they may contain small metal fragments which may cause sparks and/or fires.
4. Round /oval dishes rather than square/oblong ones are recommend, as food in corners tends to overcook.
5. Narrow strips of aluminum foil may be used to prevent overcooking of exposed areas. But be careful don't use too much and keep a distance of 1 inch (2.54 cm) between foil and cavity.
6. The food needs to be placed in a container and then heated on the ceramic plate.

The list below is a general guide to help you select the correct utensils.

Cookware	Microwave Cooking
Heat-Resistant Glass	Yes
Non Heat-Resistant Glass	No
Heat-Resistant Ceramics	Yes
Microwave-Safe Plastic Dish	Yes
Kitchen Paper	Yes
Metal Tray	No
Metal Rack	No
Aluminum Foil & Foil Containers	No

PRODUCT DIAGRAM

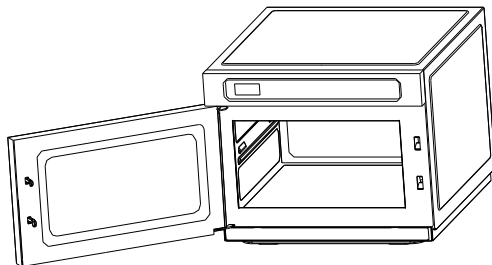
1. Door Safety Lock System
2. Oven Window
3. Cavity Floor
4. Control Panel
5. Ceramic Board



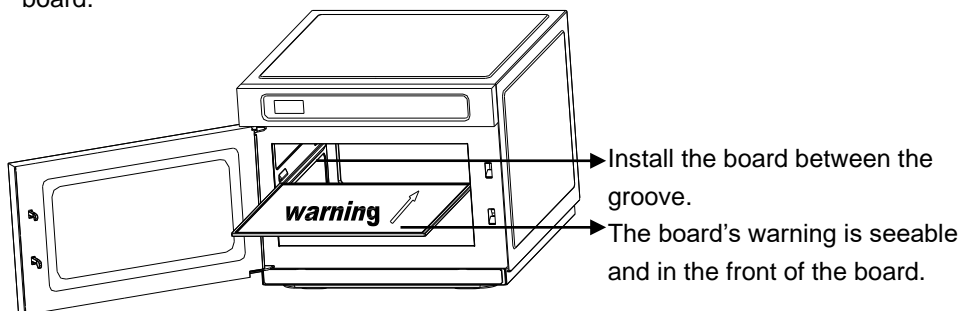
The ceramic board is removable, you can install or remove it following the steps below :

To install the ceramic board :

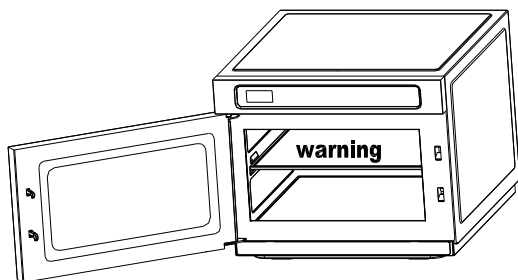
1. Cut off the power, install the ceramic board until the cavity is cool down to prevent scald.



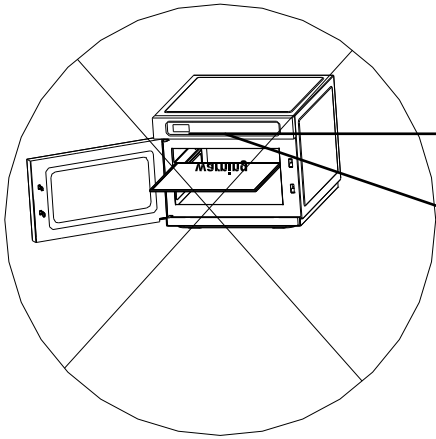
2. Hold the ceramic board with both hands and push it along the groove gently, or it may cause the board damaged. Please make sure the board is installed between the groove, not above it. And the board's warning is seeable and in the front of the board.



3. Please make sure the ceramic board is push to the end of the cavity. If you do not install it well, the door cannot be close normally.



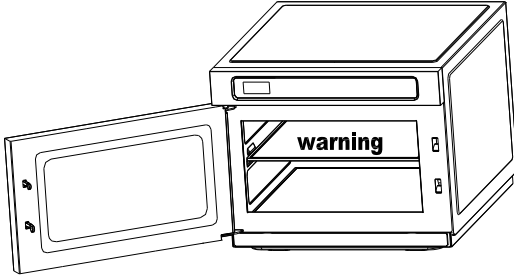
Do not install the ceramic board like this :



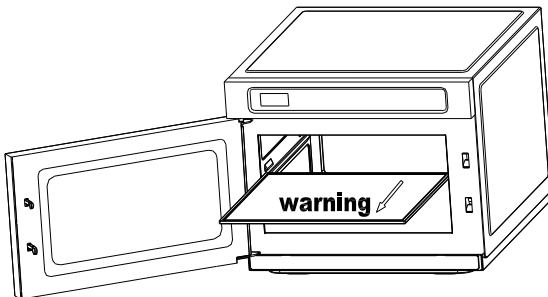
1. Never install the board above the groove.
2. Never place the board with the warning in the back of it.

To remove the ceramic board from the cavity :

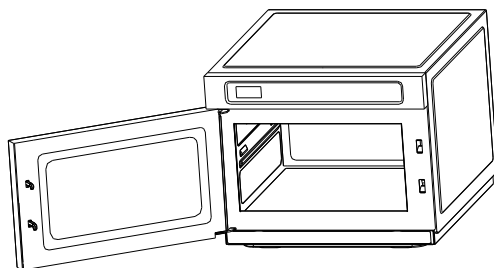
1. Cut off the power, remove the ceramic board until the cavity and the board are cool down to prevent scald.



2. Pull the ceramic board along the groove from the cavity gently, do not overexert or shake it to prevent damaged.



3. Hold the ceramic board gently for it is breakable and should be place well.



warning

CONTROL PANEL



- **DISPLAY SCREEN**

Time, power and indicators are displayed.

- **NUMBER BUTTONS**

Press to set cooking time, programs etc.

- **X2**

Press to store cooking programs.

- **PROG**

Press to store a multi-stage cooking program.

It is also used to set child lock.

- **POWER LEVEL**

Press to select microwave cooking

power level.

- **SWITCH**

Press to switch the oven to cook under single tube or double tubes cooking mode.

- **TIME +/-**

Press to adjust the cooking time.

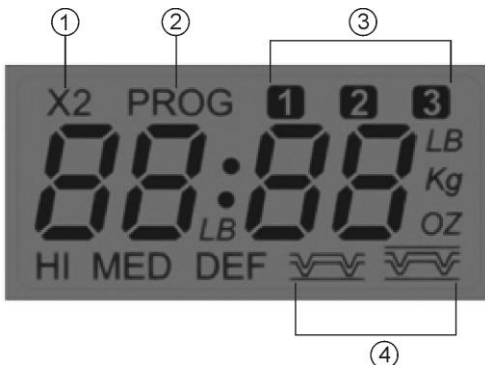
- **STOP/RESET**

Press to stop or cancel cooking programs.

- **START**

Press to start cooking programs.

DIGITAL DISPLAY ACTION INDICATORS



- ① X2 indicating cooking in X2 feature.
- ② PROG indicating programming a cooking.
- ③ Numbers indicating the cooking stage.
- ④ Indicating power level used in cooking.

OPERATION INSTRUCTIONS

- When the oven is plugged in, a beep will sound, the display shows "0" and blue backlight is lit, the oven enters standby mode.
- In the process of setting, about 20 seconds the oven will return to standby mode, 30 seconds later, the backlight will automatically go out.
- During cooking, if you press STOP/RESET button once, the program will be paused, then press START button to resume. But if you press STOP/RESET button twice, the program will be cancelled.
- After cooking ends, the display will show "0" and a beep will sound to remind the user every two minutes until the user presses any button or opens the door.

MICROWAVE COOKING

1. Open the door and place food in the oven, close it.
2. Press POWER LEVEL button repeatedly to set power level.

Press POWER LEVEL button	Power Level (Display)
Once	100% (HI)
Twice	80% (MED)
3 times	30% (DEF)

3. Use number buttons to set cooking time. The longest cooking time is 99 minutes and 99 seconds.
4. Press START button to start.

STORE COOKING PROGRAM

For frequently used cooking programs, you can save it to a number button and conveniently activate it by pressing the number button and then START button.

Each of the number buttons is pre-set with a cooking program. In standby mode, press any of the ten number buttons, you can select a cooking program, then press START button to start the preset program.

Number/Memory Buttons	1	2	3	4	5	6	7	8	9	0
Preset Cooking Time	:10	:20	:30	:45	1:00	1:30	2:00	2:30	3:00	3:30

The following are default settings for each of the number buttons:

The user is free to reset the cooking program stored under each of the ten number buttons anytime. In order to set a cooking program, which may contain up to 3 stages consecutive cooking periods with different power levels, and to designate a number

button to this program, see the example bellow:

To set medium power cooking for 8 minutes and save it to number button 5:

1. Open the door and place food in the oven, close it.
2. In standby mode, press PROG button once.
3. Press number button 5 once.
4. Press POWER LEVEL button twice to select MED.
5. Press number buttons to set cooking time.
6. Press PROG button to save.

You can store a two or three stages cooking programs by repeating the steps 4 and 5 once or twice. After finished to save, press START button to start cooking, accumulation cooking time will display. If the cooking time greater than 60 minutes, the display will show "1H "

NOTE: If you want the oven to start cooking immediately after you pressing any of the number button which has been saved the cooking program you frequently used instead of after you pressing the START button, following the steps:

TO SET: In standby mode, press and hold STOP/RESET for 5 seconds, "P L" appears on display, now you don't need to press START button after selecting a cooking program by pressing any of the number button.

TO CANCEL: In standby mode, press and hold STOP/RESET for 5 seconds, "P" appears on display, now you need to press START button after selecting a cooking program by pressing any of the number button.

HOW TO USE THE X2 BUTTON

More cooking programs can be stored under the number buttons by using the X2 function.

In standby mode, press X2, any of the number buttons, and START button, you can recall a preset cooking program as follows:

Number/Memory Buttons	1	2	3	4	5	6	7	8	9	0
Preset Cooking Time	:20	:40	1:00	1:30	2:00	3:00	4:00	5:00	6:00	7:00

X2 function can only program one stage cooking. After setting is finished, press STOP/RESET button to return to standby mode. The oven will start after you pressing X2, any of the number buttons and the START button.

For example, to use the X2 function, and save a program of full power and 3 minutes cooking to number button 8.

1. Open the door and place food in the oven, close it.

2. Press PROG button once.
3. Press X2 button once.
4. Press number button 8 once.
5. Press POWER LEVEL button once.
6. Press number buttons to enter cooking time.
7. Press PROG button to save.

NOTE: If you want the oven to start cooking immediately after you pressing X2 button and any of the number buttons which has been saved the cooking program you frequently used instead of after you pressing START button, following the steps:

TO SET: In standby mode, press and hold STOP/RESET for 5 seconds until "P L" appears on display, now you don't need to press START button after selecting a cooking program by pressing X2 and any of the number buttons.

TO CANCEL: In standby mode, press and hold STOP/RESET for 5 seconds until "P" appears on display, now you need to press START button after selecting a cooking program by pressing X2 and any of number buttons.

SWITCH FUNCTION

The oven can use single tube or double tubes to cook. For single tube mode, you can save power, while for double tubes, you can use less time to cook. The default setting for the oven is double tubes, however, in standby mode, you can press SWITCH button to change.

ADJUST THE COOKING TIME

During a single-stage cooking, you can press +/- buttons to adjust cooking time. Each press to adjust 20 seconds. The minimum cooking time is 20 seconds and the maximum time is 1 hour and 99 minutes.

COUNT OF OPERATIONS

You can read the count of how many times the oven has been used.

In standby mode, press and hold STOP/RESET button and then press POWER LEVEL button. The numbers on display shows how many times the oven has been used.

This function is for the user to analyze the usage of the oven and the traffic flow at a particular location where the oven is being used commercially.

RETURN TO FACTORY SETTING

If you want the oven return to the default factory setting, you can press and START button and plug in, "00:00" shows on the display. Press the buttons:"1", "2", "3", "4", "5", "6", "7", "8", "9", "0", "POWER LEVEL", "X2", "PROG", "SWITCH", "+", "-", "STOP/RESET", "START" one by one. And the display will show "00:18", open and close the door, then open it again. a beep will sound and the oven will return to standby mode, "0" will display, Restore Factory default settings have been took effect..

CHILD LOCK

Use to prevent unsupervised operation of the oven by children.

To set: In standby mode, press and hold PROG for 5 seconds, a beep will sound and the display will show "Loc", the oven will auto enter child lock mode. In the lock state, all buttons are disabled.

To cancel: Press and hold PROG for 5 seconds, a beep will sound and the "Loc" will disappear.

CLEANING AND CARE

1. Turn off the oven and unplug the power cord from the wall when cleaning.
2. Keep the inside of the oven clean. When food splatters or spilled liquids adhere to oven walls, wipe with a damp cloth. Mild detergents may be used if the oven gets very dirty. Avoid using spray or other harsh cleaners. They may stain, streak or dull the door surface.
3. The outside of the oven should be cleaned with a damp cloth. To prevent damage to the operating parts inside the oven, water should not be allowed to seep into the ventilation openings.
4. Wipe the door and window on both sides, the door seals and adjacent parts frequently with a damp cloth to remove any spills or splatters. Do not use abrasive cleaner.
5. Do not allow the control panel to become wet. Clean with a soft, damp cloth. When cleaning the control panel, leave oven door open to prevent oven from accidentally turning on.
6. If steam accumulates inside or around the outside of the oven door, wipe with a soft cloth. This may occur when the microwave oven is operated under high humidity condition. And it is normal.
7. It is occasionally necessary to remove the glass tray for cleaning. Wash the tray in warm sudsy water or in a dishwasher.
8. The roller ring and oven floor should be cleaned regularly to avoid excessive noise. Simply wipe the bottom surface of the oven with mild detergent. The roller ring may be washed in mild, soapy water or in a dishwasher. When removing the roller ring, be sure to replace it in the proper position.
9. Remove odors from your oven by combining a cup of water with the juice and skin of one lemon in a microwaveable bowl. Microwave for 5 minutes. Wipe thoroughly and dry with a soft cloth.
10. If the light bulb burns out, please contact customer service to have it replaced.
11. The oven should be cleaned regularly and any food deposits should be removed. Failure to maintain the oven in a clean condition could lead to deterioration of surface that could adversely affect the life of the unit and could possibly result in a hazardous situation.
12. Please do not dispose of this appliance into the domestic rubbish bin; it should be disposed to the particular disposal center provided by the municipalities.