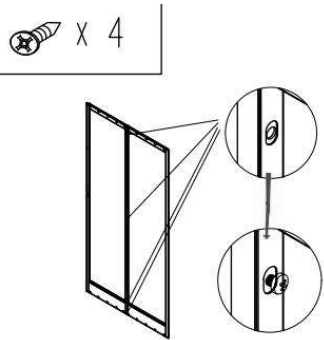
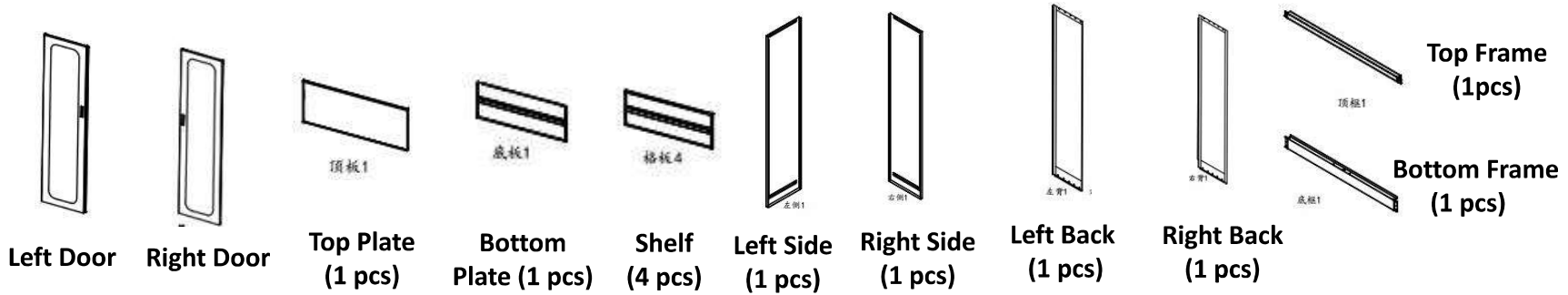


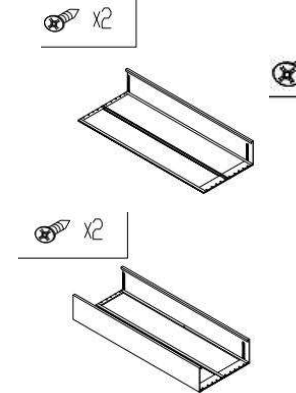
Assembly Instruction

MY-SLC-04

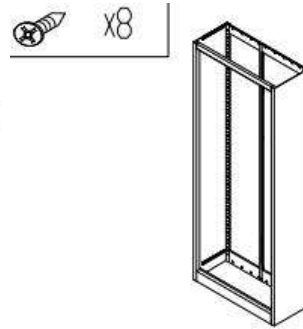
Name and Quantity of Parts:



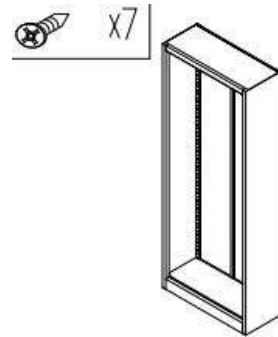
Step1: Connect the left and right backs together with four screws



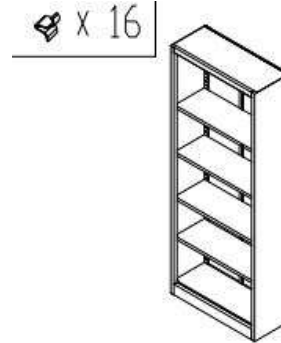
Step2: Connect the left and right sides with the back using four screws



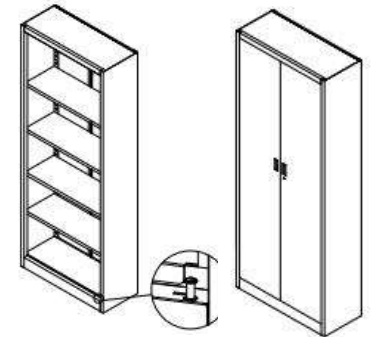
Step3: Connect the top and bottom frames to the top and bottom with eight screws



Step4: Install the top and bottom plate to connect the back and side using seven screws



Step5: Install shelf using sixteen buckle



Step6: Aim at the door shaft and install the left and right doors