

# Hot Showcase

User Manual

### Warning:

Please refer to the instructions for using.

The product must be used before safety grounding .It is strictly prohibited to use water for washing directly.

### The main technical parameters:

#### Product introduction:

Model	Voltage ( V )	Frequency (Hz)	Power ( kW)	Outline dimension (mm)
MLP-601	220	50	1.5	660*480*645
MLP-602	220	50	1.8	900*480*645
MLP-603	220	50	2	1200*480*645

### Directions for use :

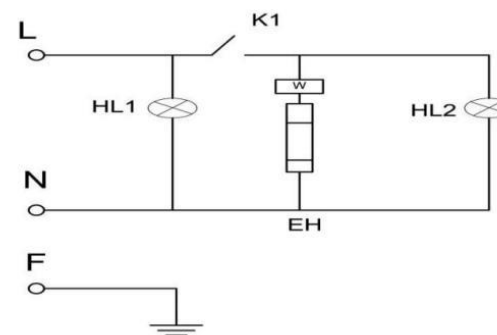
- 1.The performance of this product is thermal insulation.
- 2.The product must be safely grounded before use.
- 3.The voltage must be in conformity with the rated voltage.
- 4.Put 1 / 3 or 1 / 2 water in the basin before turning on the power and put the food to be insulated.
- 5.Turn on the switch, the heating indicator light lights up, and the heating tube starts to work. When the temperature reaches the setting, the thermostat will cut off the power supply automatically and stop heating. When the temperature drops slightly, the thermostat will resumes the power supply automatically, and the heating tube continue heating to ensure constant temperature. The hot showcase is also equipped with decorative lights and floodlights, which can make the food on display more attractive.

6.If any abnormal phenomenon occurs during using, power off immediately and continue to use after troubleshooting.

### Cleaning and maintenance :

1. During cleaning and maintenance, the power supply should be cut off to avoid accidents.
2. After using the machine, the surface can be cleaned with a wet towel without corrosive detergent.

### Electrical schematic:



HL1- Temperature control indicator light

HL2 -Lighting indicator

W-Thermostat

EH-Electric heating tube

K 1- Decorative lamp switch