

BOILING PAN (ELECTRICAL)

CONTENTS

A	GENERAL INFORMATION	Page 2
A1	PRODUCT DESCRIPTION	Page 3
A2	TECHNICAL INFORMATION	Page 3
A3	TRANSPORTATION	Page 4
A4	UNPACKING	Page 4
B	INSTALLATION.....	Page 4
C	SAFETY INSTRUCTIONS	Page 5
D	OPERATION.....	Page 6
E	CLEANING & MAINTENANCE.....	Page 7
F	TROUBLESHOOTING	Page 8
G	SPARE PART LIST- EXPLODING DRAWING	Page 9
H	ELECTRIC CIRCUIT SCHEMA	Page 13

A GENERAL INFORMATION

Before installing the appliance, read operation and maintenance instructions carefully. Wrong installation and part changing may damage the product or may cause injury on people. These are not in our company's responsibility to damage the appliance intentionally, negligence, detriments because of disobeying instructions and regulations, wrong connections. Unauthorized intervention to appliance invalidates the warranty.

1. This instruction manual should be kept in a safe place for future reference.
2. **Installation should be made in accordance with ordinances and security rules of that country by a qualified service personnel.**
3. This appliance has to be used by trained person.
4. Please turn off the appliance immediately in the event of malfunction or failure. The appliance should be repaired only by authorized service personnel. Please demand original spare part.

BOILING PAN (ELECTRICAL)

A1 PRODUCT DESCRIPTION

*The Professional Boiling Pan (Electrical) ,that provides high efficiency has been designed to be used in industrial kitchens.

Product Code	Dimensions (mm)	Weight (kg)	Packaging Dimensions (mm)
EMP.KTE.70	800x730x850	80	890x960x1150
EMP.KTE.150	800x900x850	100	1060x920x1180
EMP.KTE.250	1000x900x850	190	1310x1070x1140

A2 TECHNICAL INFORMATION

Product Code	Capacity (lt)	Electric Inlet (V)	Cable (mm ²)	Power (KW)
EMP.KTE.70	70	380	5X4	12
EMP.KTE.150	150	380	5X6	18
EMP.KTE.250	250	380	5x10	30

A3 TRANSPORTATION

* This appliance can not be moved by hand from area to area. Therefore Use a hauling truck (forklift or pallet jack) to move the appliance. (The lifting arms of the of forklift or pallet jack must reach up to more than half part of t appliance underneath.

A4 UNPACKING

*Please unpack the package according to the security codes and ordinances of current country and get rid from the pack.Parts which contacts with food are produced by stainless steel.All plastic parts are marked by material's symbol.

*Please check that all the parts of appliance had come completely and if they are damaged or not during the shipping.

B INSTALLATION

*Please place the product to straight and sturdy ground,please take necessary steps against possibility of overturn.

*Technician who will serve for installation and service for the appliance must be professional on this subject and must have installation and service licenses by the company.

*Connection to Electric Power Supply must be done by authorized person.

*Please be sure that the voltage connected to appliance must be equal with the voltage which is on appliance's label.



This appliance must be connected to an earthed outlet in accordance with safety rules and standards.










*Appliance's earthing must be connected to earthing line on panel which is nearest to electric installation.

*Connection to the main fuse and leak current fuse must be done in accordance with the current regulations.

*If the location where boiling pans (electrical) placed is covered with nonflammable heat insulation material,the distance between them must be 5 cm.Otherwise it should be at least 20 cm.The appliance shouldn't be operated under chimney hood.

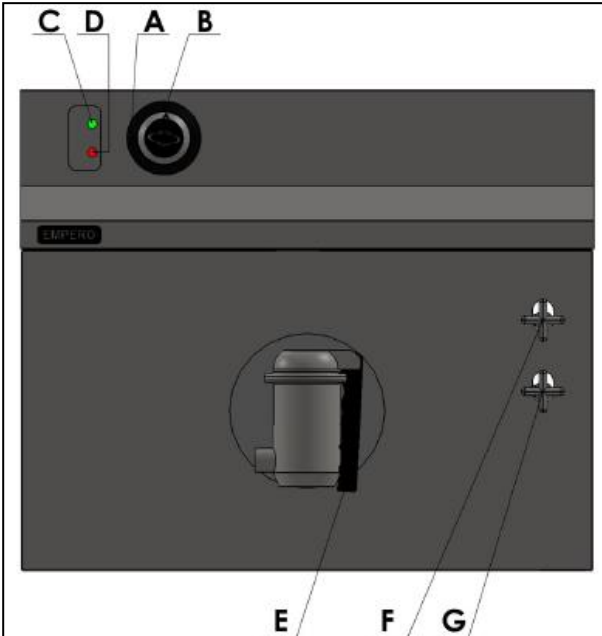
BOILING PAN (ELECTRICAL)

C SAFETY INSTRUCTIONS

-  *Do not use the appliance in insufficient lighted place.
-  *Do not touch the moving attachments while the appliance operates.
-  *Do not install the appliance in the presence of flammable or explosive materials.
-  *Do not operate the appliance when the machine is empty.
-  *Do not load so less or more than appliance's capacity.
-  *Do not attempt to use the appliance without suitable protective equipments.
-  *Because of any reason if there is a fire or flame flare where the appliance is used, turn off all gas valves and electric contactor switch quickly and use fire extinguisher. Never use water to extinguish the fire.
-  *All the damages because of not having earthing connection will not be on warranty.
-  *Do not forget to evacuate the pressure air that is in paries.

D OPERATION

*Control Panel;



- A : ON position
- B : OFF position
- C : Indicator lamp
- D : Signal lamp
- E : Evacuation valve
- F : Water outlet valve
- G : Water inlet valve

*Operating;

- In order to operate the appliance, plug in.
- Turn on the tap in order to fill the pan that is under cooking tank with water.
- Adjust the heat setting.
- Be sure that materials that will be cooked had been prepared.
- Add water to pan through the tap at the top.
- Close the appliance's lid.
- Check the manometer after cooking and remove the pressure from the pan.
- Take the cooked foods from evacuation tap.
- When the operation is completed, switch off the thermostat and unplug the appliance.

BOILING PAN (ELECTRICAL)

E CLEANING & MAINTENANCE

➤ **CLEANING AND MAINTENANCE AFTER EVERY USE**

- Always turn off the appliance and disconnect from the power supply before cleaning.
- Clean the outer surface of the appliance, cooking pan and lid with moist cloth.
- Do not use abrasive cleaning chemicals as these can leave harmful residues
- Do not clean the appliance by spraying water directly, otherwise electric motor may get damaged.

➤ **PERIODIC CLEANING AND MAINTENANCE**

- Maintenance should be done by qualified person.
- Get the periodic maintenance of the appliance once in every 15 days.
- Maintenance of the appliance's contactor should be done by compressed air according to frequency of use.
- Check the pressure valve and manometer according to frequency of use.

F TROUBLESHOOTING

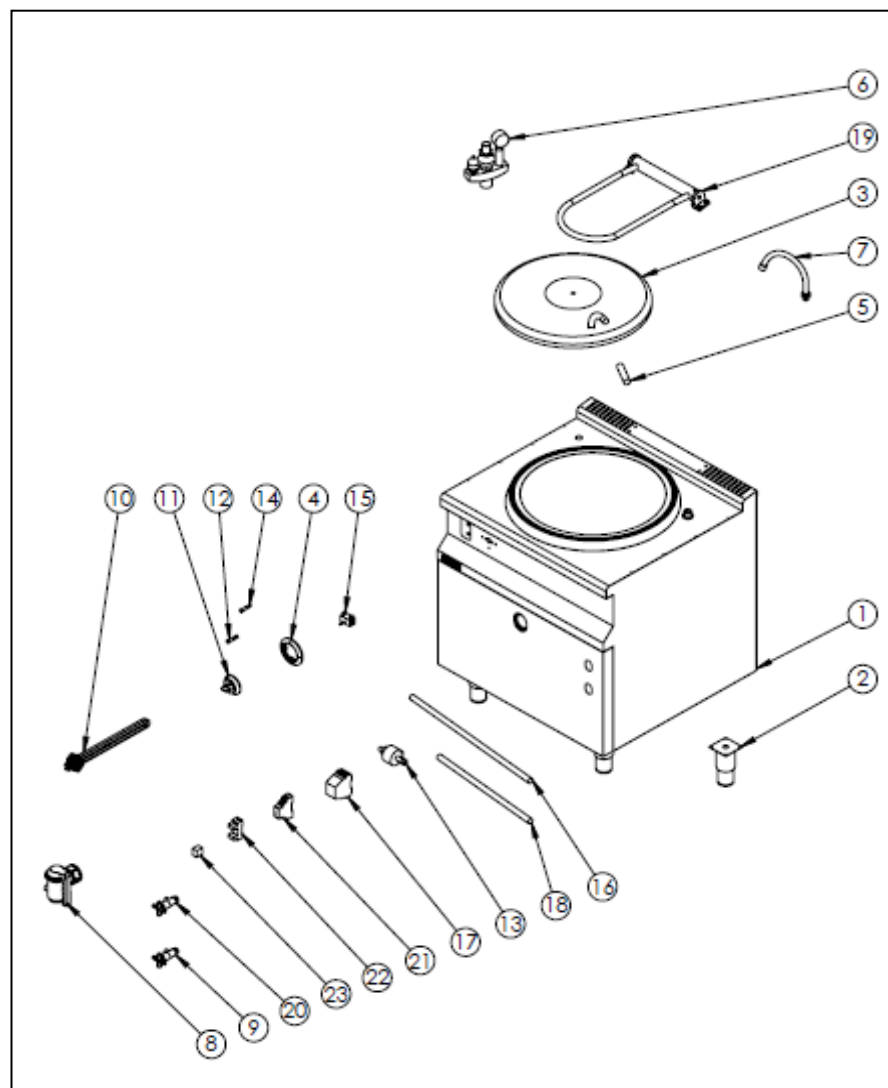
<p>THE APPLIANCE DOESN'T OPERATE</p>	<ol style="list-style-type: none"> 1. Check if the appliance is plugged in. 2. Check the electrical connections and voltage. 3. Check if the fuse is on or off.
<p>THE APPLIANCE DOESN'T COOK WELL</p>	<ol style="list-style-type: none"> 1. Check the temperature adjustment that is working in needed and correct degree or not 2. Do not overload the pan.
<p>THE APPLIANCE STOPPED</p>	<ol style="list-style-type: none"> 1. The appliance can stop due to low voltage. In this situation check the voltage.

- If cooking at boiling pans (electrical) is not done at suitable quality
- If any function of security doesn't work
 - Do not use the appliance.

***If these problems are still going on, contact with our authorized services.**

BOILING PAN (ELECTRICAL)

G SPARE PART LIST-EXPLODING DRAWING



G SPARE PART LIST-EXPLODING DRAWING

PRODUCT CODE: EMP.KTE.70		
NO	PRODUCT NAME	P.CODE
1	BASE FRAME	Y.EMP.KTE.70.001
2	FEET	Y.EMP.KTE.70.002
3	LID	Y.EMP.KTE.70.003
4	BUTTON BUFFER	Y.EMP.KTE.70.004
5	HANDLE	Y.EMP.KTE.70.005
6	MANOMETER	Y.EMP.KTE.70.006
7	TAP	Y.EMP.KTE.70.007
8	DRAINAGE VALVE	Y.EMP.KTE.70.008
9	DRAINAGE VALVE (INTERNAL WALL)	Y.EMP.KTE.70.009
10	RESISITANCE	Y.EMP.KTE.70.010
11	BUTTON	Y.EMP.KTE.70.011
12	WARNING LAMP-RED	Y.EMP.KTE.70.012
13	SWITCH	Y.EMP.KTE.70.013
14	WARNING LAMP-GREEN	Y.EMP.KTE.70.014
15	SWITCH 0-1	Y.EMP.KTE.70.015
16	FLEX HOSE 100CM	Y.EMP.KTE.70.016
17	CONTACTOR 5,5 KW	Y.EMP.KTE.70.017
18	FLEX HOSE 50CM	Y.EMP.KTE.70.018
19	LID LIFTING MECHANISM	Y.EMP.KTE.70.019
20	VALVE (INTERNAL WALL)	Y.EMP.KTE.70.020
21	LIQUID LEVEL RELAY	Y.EMP.KTE.70.021
22	ABB RELAY SOCKET	Y.EMP.KTE.70.022
23	ABB RELAY	Y.EMP.KTE.70.023

BOILING PAN (ELECTRICAL)

G SPARE PART LIST-EXPLODING DRAWING

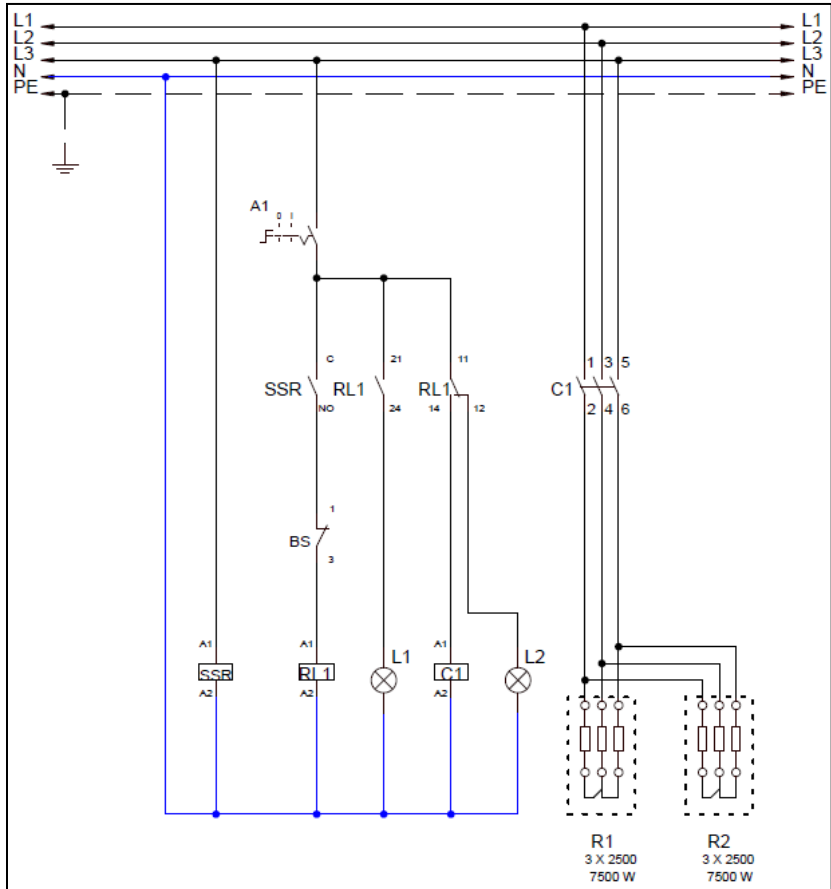
PRODUCT CODE: EMP.KTE.150		
NO	PRODUCT NAME	P.CODE
1	BASE FRAME	Y.EMP.KTE.150.001
2	FEET	Y.EMP.KTE.150.002
3	LID	Y.EMP.KTE.150.003
4	BUTTON BUFFER	Y.EMP.KTE.150.004
5	HANDLE	Y.EMP.KTE.150.005
6	MANOMETER	Y.EMP.KTE.150.006
7	TAP	Y.EMP.KTE.150.007
8	DRAINAGE VALVE	Y.EMP.KTE.150.008
9	DRAINAGE VALVE (INTERNAL WALL)	Y.EMP.KTE.150.009
10	RESISITANCE	Y.EMP.KTE.150.010
11	BUTTON	Y.EMP.KTE.150.011
12	WARNING LAMP-RED	Y.EMP.KTE.150.012
13	SWITCH	Y.EMP.KTE.150.013
14	WARNING LAMP-GREEN	Y.EMP.KTE.150.014
15	SWITCH 0-1	Y.EMP.KTE.150.015
16	FLEX HOSE 100CM	Y.EMP.KTE.150.016
17	CONTACTOR 5,5 KW	Y.EMP.KTE.150.017
18	FLEX HOSE 50CM	Y.EMP.KTE.150.018
19	LID LIFTING MECHANISM	Y.EMP.KTE.150.019
20	VALVE (INTERNAL WALL)	Y.EMP.KTE.150.020
21	LIQUID LEVEL RELAY	Y.EMP.KTE.150.021
22	ABB RELAY SOCKET	Y.EMP.KTE.150.022
23	ABB RELAY	Y.EMP.KTE.150.023

G SPARE PART LIST-EXPLODING DRAWING

PRODUCT CODE: EMP.KTE.250		
NO	PRODUCT NAME	P.CODE
1	BASE FRAME	Y.EMP.KTE.250.001
2	FEET	Y.EMP.KTE.250.002
3	LID	Y.EMP.KTE.250.003
4	BUTTON BUFFER	Y.EMP.KTE.250.004
5	HANDLE	Y.EMP.KTE.250.005
6	MANOMETER	Y.EMP.KTE.250.006
7	TAP	Y.EMP.KTE.250.007
8	DRAINAGE VALVE	Y.EMP.KTE.250.008
9	DRAINAGE VALVE (INTERNAL WALL)	Y.EMP.KTE.250.009
10	RESISITANCE	Y.EMP.KTE.250.010
11	BUTTON	Y.EMP.KTE.250.011
12	WARNING LAMP-RED	Y.EMP.KTE.250.012
13	SWITCH	Y.EMP.KTE.250.013
14	WARNING LAMP-GREEN	Y.EMP.KTE.250.014
15	SWITCH 0-1	Y.EMP.KTE.250.015
16	FLEX HOSE 100CM	Y.EMP.KTE.250.016
17	CONTACTOR 5,5 KW	Y.EMP.KTE.250.017
18	FLEX HOSE 50CM	Y.EMP.KTE.250.018
19	LID LIFTING MECHANISM	Y.EMP.KTE.250.019
20	VALVE (INTERNAL WALL)	Y.EMP.KTE.250.020
21	LIQUID LEVEL RELAY	Y.EMP.KTE.250.021
22	ABB RELAY SOCKET	Y.EMP.KTE.250.022
23	ABB RELAY	Y.EMP.KTE.250.023

BOILING PAN (ELECTRICAL)

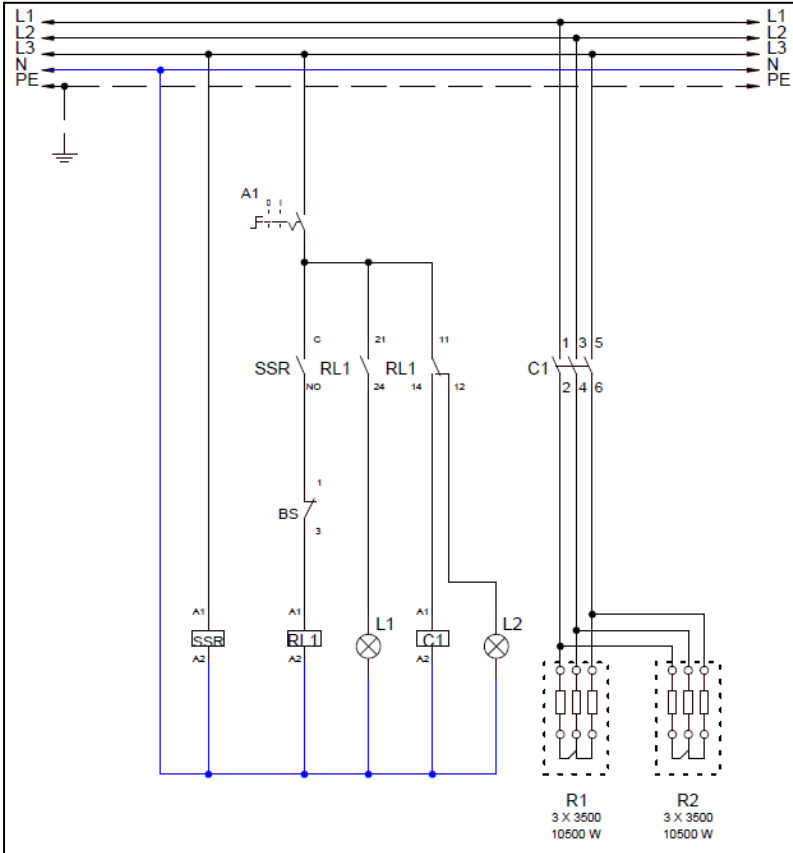
H ELECTRIC CIRCUIT SCHEMA



EMP.KTE.70

RL1	BS	SSR-SSC	A1	C1	R1-R2	L1	L2
Small Role 220 V.	Pressure Switch	O4 Liquid Level Role	(0-1) Single Phase Circuit Breaker	Heater Contactor	Heater Resistance	Heater Open Signal Lamp	Heater Off Signal Lamp

H ELECTRIC CIRCUIT SCHEMA

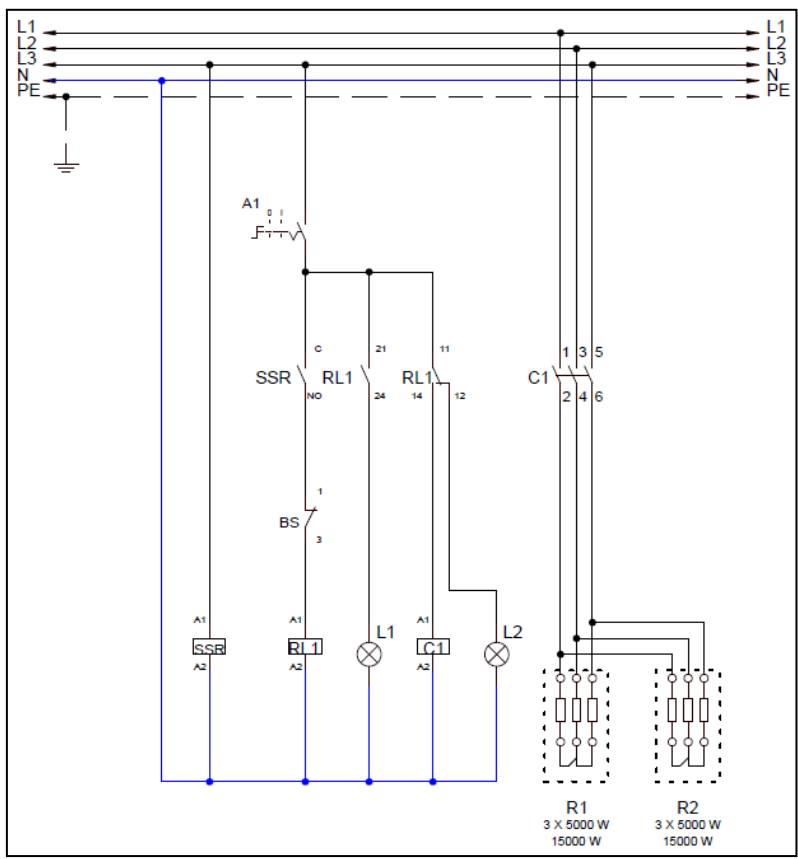


EMP.KTE.150

RL1	BS	SSR-SSC	A1	C1	R1-R2	L1	L2
Small Role 220 V.	Pressure Switch	O4 Liquid Level Role	(0-1) Single Phase Circuit Breaker	Heater Contactor	Heater Resistance	Heater Open Signal Lamp	Heater Off Signal Lamp

BOILING PAN (ELECTRICAL)

H ELECTRIC CIRCUIT SCHEMA



EMP.KTE.250

RL1	BS	SSR-SSC	A1	C1	R1-R2	L1	L2
Small Role 220 V.	Pressure Switch	O4 Liquid Level Role	(0-1) Single Phase Circuit Breaker	Heater Contactor	Heater Resistance	Heater Open Signal Lamp	Heater Off Signal Lamp