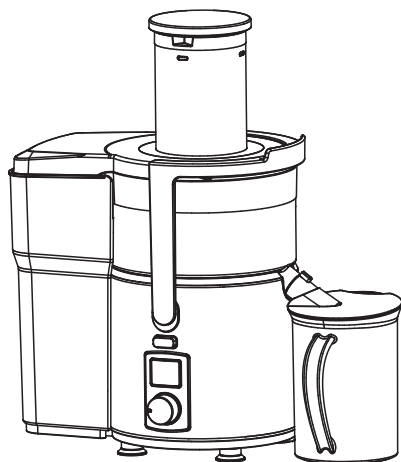


Adexa
CATERING EQUIPMENT DIRECT

INSTRUCTION

HIGH POWER JUICE EXTRACTOR

Model No: JE962



■ IMPORTANT SAFE GUARDS:

Please follow all the precautions listed below for safety, and to reduce the risk of fire, injury or electrical shock.

1. Please read the Instructions carefully before using the product.
2. Always keep the product out of reach of children and the mentally disabled.
3. Please place the product on a dry smooth platform. Never locate this product on, or near, to a heat source or touching any hot surface. Locate the product carefully as it may not be able to work if it is in a confined space.
4. Never place the power cord on a sharp-edged object. Or any hot surface. Do not connect the cable to any movable power adaptor, or allow it to become tangled.
5. Never immerse the power cord, plug, or the main body of the machine into water or other liquid to avoid damage or injury.
6. Never use the machine in the event of any problem in operating the unit, or if there is damage to the electric cable or mains plug. If you have any safety concerns take the unit to the nearest service center for inspection and or repair.
7. Always leave the appliance unplugged when not in use or assembling. Connect the appliance only to properly wired wall outlet. Do not use extension or multi socket & do not plug it into the same outlet or use it on the same circuit with other appliances. A circuit overload could occur.
8. If your AC wall outlet becomes loose, it may get overheated. Should this happen, consult a qualified technician

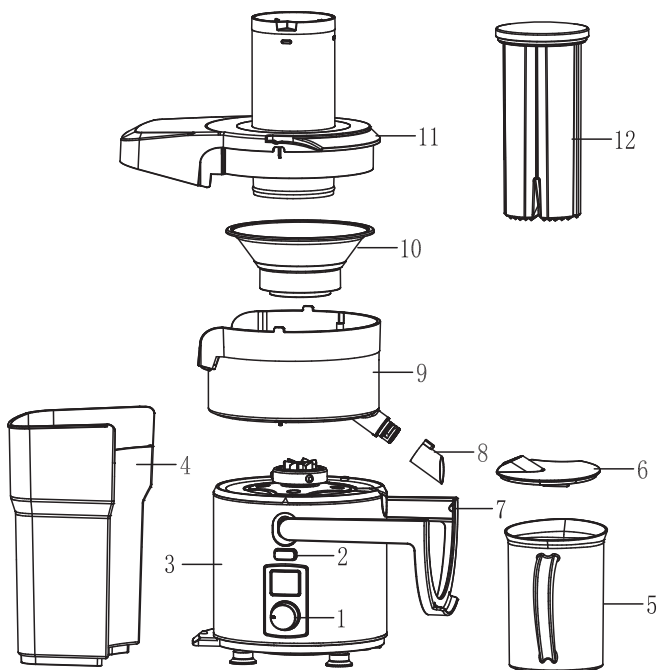
9. Only use 'original' accessories and parts for the product; otherwise, it could result in fire, electric shock, or personal injury.
10. Ensure all accessories have been installed properly before the machine is operated and confirm that the available voltage is consistent with the product specification. Unplug when not in use.
11. Don't put your hands or other objects into food opening of transparent cover, when working.
12. Don't touch the blade whilst juicing, to avoid injury
13. This machine is suitable for juicing and blending fruit and vegetables. Blending Jar can be used for crushing ice, mixing food etc.
14. When cleaning machine, don't use abrasive cleansers, as this will adversely affect the surface of machine
15. This appliance can be used by children aged from 8 years and above and persons with reduced physical, sensory or mental capabilities or lack of experience and knowledge if they have been given supervision or instruction concerning use of the appliance in a safe way and understand the hazards involved. Children shall not play with the appliance. Cleaning and user maintenance shall not be made by children unless they are older than 8 and supervised.
16. Keep the appliance and its cord out of reach of children less than 8 years

■ SPECIFICATION

1. Parameter: 220-240V~50HZ, 1000W
2. Functions: extract juice such as apple, carrot, pineapple, orange, watermelon, etc.
3. Unique technology:
 - 84mm extra large diameter of feeding tube

- 1000W powerful DC motor
- Big LCD display with electronic control

■ YOUR JUICER



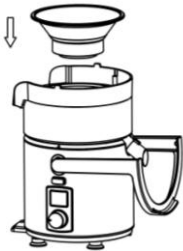
1. On-off dial	2. Pulse button	3. Base	4. Pulp collector	5. Juice jug	6. Jug lid
7. Locking bar	8. Juice spout	9. Receptacle	10. Mesh bowl	11. Juicer lid	12. Plunger

■ USAGE INSTRUCTIONS

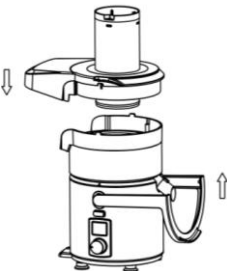
Before use please ensure that all packaging is removed, especially the paper covering the mesh bowl.



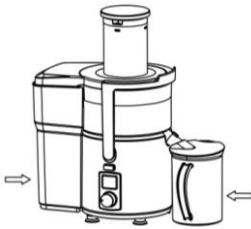
This machine is equipped with a safety function so that it will not start until all components are properly assembled. Insert the receptacle vertically into the base, making sure to correctly align the spout.



Insert the mesh bowl into the receptacle, and press down lightly to ensure the two are properly connected.

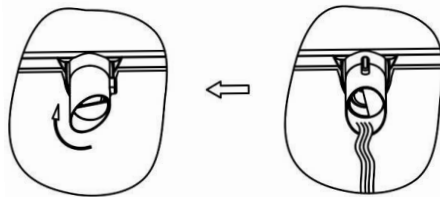


Place the juicer lid on the receptacle and pull the locking bar up vertically to secure into place. The ejector pin on the lid is now pressing down on the receptacle's ejector pin, disabling the safety feature in the base.



Align the pulp collector and juice jug as shown in the diagram, and plug into a power outlet. Turn the on-off dial to turn the machine on, and turn it to the desired speed. The LCD display will show the current speed and description. Insert vegetables or fruit into the top of the juicer and use the plunger to gently push them down.

Anti-drip: Once the juice has finished pouring from the spout, turn it 90° in order to prevent any remaining juice leaking onto your surfaces. Be aware that this can only prevent leftover juice from leaking out and will not stop the flow of juice that is currently being squeezed.



(Normal pouring position) (Anti-drip position)

Attention:

- Do not put your hands or other objects into the juicer whilst the blade is still moving;
- To get more juice, only press down lightly with the plunger;
- Ensure the electricity is switched off before cleaning the pulp

collector;

- The juicer should not be turned on for more than one minute at a time;
- To prevent blockages that will stop the machine from working, ensure that all pulp is quickly removed from the pulp collector and receptacle.

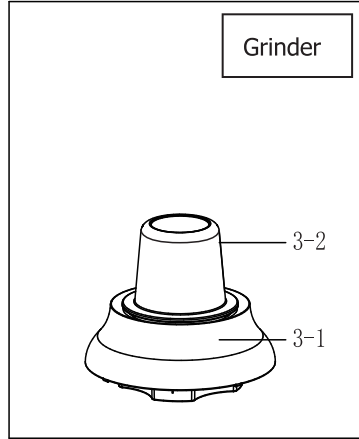
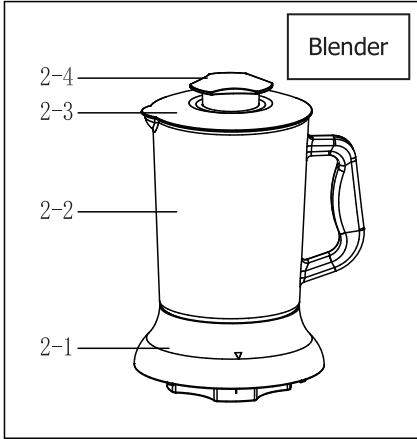
Speed selection guide:

- Speed 1 for soft fruit without nut, such as strawberry, cucumber;
- Speed 2 for citrus like lemon, orange;
- Speed 3 for Pineapple, watermelon, etc.;
- Speed 4 for apple, vegetables like celery;
- Speed 5 for hard fruit and vegetables like carrot;

■ **CLEANING:**

1. After use, turn the dial to the “off” position. Once the juicer has fully stopped, disconnect it from the mains and move the locking bar down to a horizontal position. In order, remove parts 12, 11, 10, 9, 8, 7, 6, 5 and 4, and wash in water.
2. Under no circumstances should the base be placed in water or rinsed under a tap. It should only be cleaned with a damp cloth, taking care to ensure no water or other liquid gets inside.
3. The mesh bowl must be cleaned thoroughly (a special cleaning brush is advised) , otherwise future use may be affected.
4. Cleaning the juicer immediately after use will make it easier to clean.
5. Do not use abrasive cleaning products, scouring pads or metal scourers to clean the juicer as this may leave scratches.
6. 6. Once cleaned and dried, the service life of the juicer can be prolonged by returning it to its original packaging.

■ ACCESSORIES



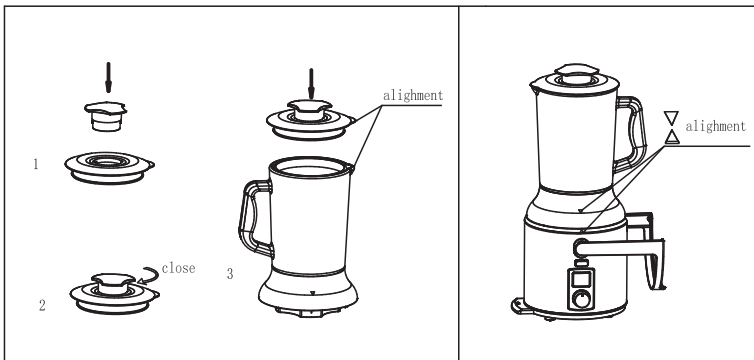
Blender parts:

2-1. Base unit 2-2. Glass blending jug 2-3. Lid 2-4. Cap

Grinder parts:

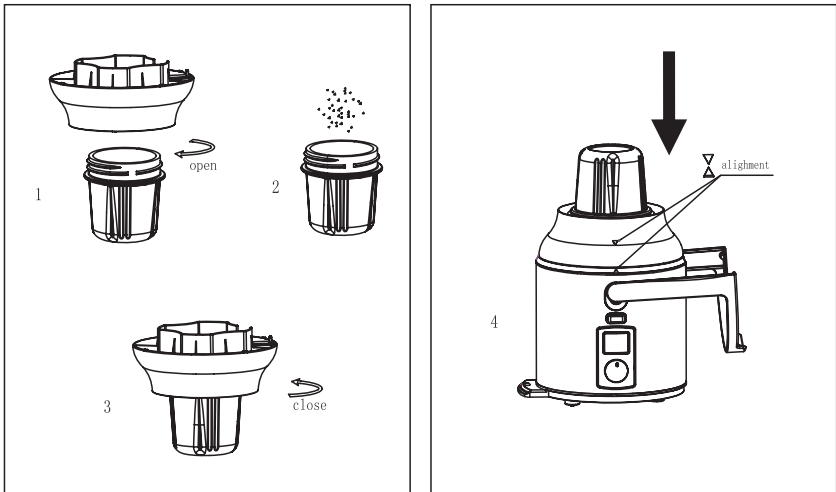
3-1. Base unit 3-2. Glass grinding jug

■ BLENDER USAGE INSTRUCTIONS



1. Place the base unit on a flat, dry surface.
2. Add food into the blending jug and cover with the lid. Note that the blender's maximum capacity is 1800ml.
3. When placing the blender on the base unit, make sure to align the ▼ symbol on the blending jug with the ▲ symbol on the base unit to make sure that the ridge on the blending jug slots into the groove on the base unit correctly. This machine has a safety switch ensuring that the blender will only work when the parts are properly assembled.
4. Be sure to set the on-off dial to zero before connecting to the power source. Before usage, turn the dial to 1 or 2 to ensure that the blender is working smoothly; if the machine does not function as normal, turn the power supply off and go back through the steps above to reassemble the machine.
5. When using the blender, first turn the dial to 1-2 to start pre-mixing before turning to the desired speed. Do not use continually for more than one minute; choose the speed and processing time according to the amount of food and desired result. After blending for one minute, the machine must be allowed to cool down for at least three minutes until it can be used again.
6. If you need to add more food or liquid whilst blending, you can open the cap on the lid by turning it counter-clockwise, and pour directly through the opening.

■ GRINDER USAGE INSTRUCTIONS



The basic assembly of the grinder is shown in the diagram.

1. Always place the base unit on a flat, dry surface.
2. Turn the grinding jug counter-clockwise to open.
3. Add the coffee beans or food to be ground directly into the glass grinding jug. Ensure that the jug is no more than half full, as this will make grinding less effective.
4. Turn the cup clockwise until tight put the lid on.
5. Place the prepared grinder onto the base unit, aligning the ▼ symbol on the grinder with the ▲ symbol on the base to make sure that the ridge on the grinding jug slots into the groove on the base unit correctly. This machine has a safety switch ensuring that the blender will only work when the parts are properly assembled.

Note: when using the grinder you must always press down lightly on the grinding jug. When you hear the safety switch click, it can be

turned on. When you remove the pressure the switch will automatically reset and disconnect the power.

6. Be sure to set the on-off dial to zero before connecting to the power source. Before usage, turn the dial to 1 or 2 to ensure that the grinder is working smoothly; if the machine does not function as normal, turn the power supply off and go back through the steps above to reassemble the machine.
7. Press the pulse button 2-3 times at the start of grinding, holding it for 3-5 seconds each time, to pre-grind. Afterwards, pulse for up to a maximum of 30 seconds for full grinding. The machine must not be used for more than 30 seconds at a time, so after the first pulsing cycle, allow the machine to rest for 1 minute before starting again. You can choose how many cycles to do depending on how finely ground you want your coffee or food. 2-3 cycles is normally enough to grind most food.
8. When finished, turn the dial back to 0 to stop the machine. Switch off the power. Release the grinder by turning it counter-clockwise, and turn it upside-down so the base unit is on top. Tap the sides of the jug to make sure all the grounds fall to the bottom, and turn the jug in the direction shown in fig 4-1. Remove contents from the grinding jug and transfer to a different container.

Tip:

The grinder base unit is fitted with ejector rods, retaining rods and other safety features to ensure the grinder base cannot be directly inserted into the machine and must be connected to the glass grinding jug before the machine will work. The retaining rods are there to prevent the grinding jug from spinning on its own when

connected to the machine.

■ TROUBLE SHOOTING

Trouble	Reason	Solution
Do not work	<ol style="list-style-type: none">1. Transparent cover is not fixed properly;2. Power in not connected	<ol style="list-style-type: none">3. Assemble the cover properly4. Plug in
Stop during use	<ol style="list-style-type: none">1. Force on plunger is too big and it cause the motor locked2. Over-heating protection fuse is activated by continuous operation3. Motor is broken4. Over-current protector is activated when food is blocked inside, and the power is cut off automatically	<ol style="list-style-type: none">1. Plug out and take out the food2. Stop the machine and let it cool down for 60 min.3. Send it to appointed service center for repair.4. Plug out, and press down the button on the bottom of unit, then plug in and you can use it again.(See picture below)
Too many pulp in juice	<ol style="list-style-type: none">1. Pulp collector is full, and residue blocked inside transparent cover2. Filter sieve is broken	<ol style="list-style-type: none">1. Remove the residue from pulp collector and transparent cover2. Change a new sieve

Notes

Notes

Notes

Adexa

CATERING EQUIPMENT DIRECT

Adexa Direct Limited
Ground Floor, Unit 1
214 Purley Way
Croydon CR0 4XG UK
Telephone: 01483 931040
Email: service@adexa.co.uk
URL: <https://adexa.co.uk>

