

All of stainless steel electric stove is learned at home and abroad the advantages of similar products designed with fashionable and rational structure, convenient operation, and small footprint characteristics. Electric stoves can face isolation; also supporting the use, the West restaurants, karaoke dance hall, fast food shops must use the equipment.

I .Basic parameters:

Model	HES936	HES937	HES938
Name	Electric Hanging Salamander	Electric Hanging Salamander	Electric Hanging Salamander
Rated voltage (V)	220V-240V	220V-240V	220V-240V
Rated Power (KW)	2	4	2.2
Frequency (Hz)	50-60HZ	50-60HZ	50-60HZ
Temperature rang (°C)	50~300	50~300	50~300
dimension (mm)	610*310*280	790*450*490	580*390*380

II .Transportation and custody:

During transport, this product should be precious to prevent violent vibration, packaged products are generally not open storage of long-term, should be good ventilation and no corrosive gas warehouse, not inverted, needs temporary storage, resistant measures should be adopted.

III.Installation and use of the environment attention:

1. This product should be on a smooth, about Formulating Technology for Inflammable left side of 10cm and above, should be back from Formulating Technology for Inflammable of 20cm and above.

2. This equipment must be used with a supply voltage of the power supply voltage Nameplate product line. Fluctuations in supply voltage of $\pm 10\%$.

3. Users need in the vicinity of fixed equipment in the power supply line,

equipped with a contact from the very ≥ 3 mm-wide leakage protection devices and disconnect switches, switches debris piled in front not allowed to facilitate their safe operation.

4. Before the use of safety equipment grounding.

5. Products should be checked before use of the electrical device is firmly connected, whether reliable safety grounding.

6. Replacement power lines should use the same type cable and professionals to replace.

7. This product installation and maintenance of electrical connections should be invited to the Operator's Certificate holders electrician to install.

IV.The methods of operation:

1. Of the power switch, power indicator light; adjust to the required temperature for the temperature, which is the required temperature at the red dot position. At this point heating indicator light, the fever started work, the furnace temperature started rising, the state of things into the cooking. When the temperature reaches the set temperature, temperature control for automatically cut off power supply, heating tube stop working. When the temperature dropped to a certain value, temperature control devices will automatically connected power, the fever started to work, the furnace temperature went up again. So repeatedly, can guarantee that the furnace temperature in the temperature range set by thermostat.

2. Sheen food pots can level with the screen movements to adjust to reduce calorie consumption and energy conservation. Under the proposal before use in food regulation Screen size pots containing food to the level.

Warning: High temperature furnace work against Kook touch, children should stay away from!

Hasty will cut combustibles (such as towels) on the furnace level, in order to avoid any fire accident!

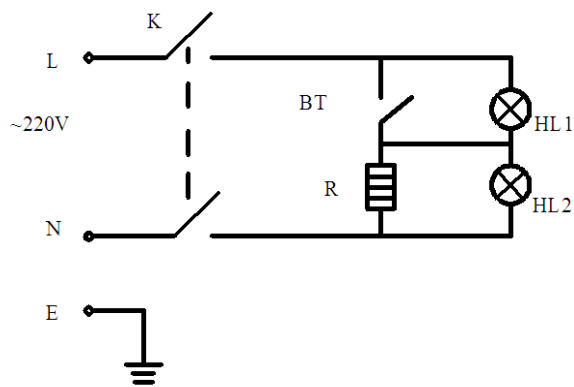
V.Cleaning and maintenance;

1.The clean-up and maintenance, should be cut off power supply to prevent the accident occurred.

2.After a day of work available is non-corrosive cleaning agent wet towels, cleaning furnace Power Lead-out Device surface and the surface, no direct water rinse.

No.	Fault	Reasons	Approach
一	After the power plants is not bright lamp	1. Fuse . 2.Power lamp burned.	1. The replacement fuse. 2.Replacement power lamp.
二	Rotational temperature, heating bright lights, but not the furnace temperature.	1. Disconnect the tube connecting fever 2. Fever of the burn.	1.The strong electric wiring. 2.The replacement of electric heating.
三	Temperature control movements	Temperature control of failure	Temperature change

VI.Electrical schematics



BT- Temperature Controller
HL1- Power lamp
HL2- Heating lamp

R- The Fever

VII.General troubleshooting:

Electric Hanging Salamander

User Manual



Instruction Manual



Instruction Manual

