

User Manual

Vacuum Sealer

Model: GN1088



Contents

Statement.....	1
Important Safeguards.....	1
Product Specification.....	3
Product Structure and Function.....	4
Operating Instructions.....	5
Trouble-Shooting.....	7
Care and Cleaning.....	8
Guarantee Card.....	9

Statement

Thank you for purchasing vacuum sealer. In order to make the best use of our product and use it safely, please read the introductions carefully before use and keep for future reference.

TIPS:When the product is not used, please do not latch the machine to protect the silicone sealing trip.

Important Safeguards

When using this electrical appliance, safety precautions should always be observed, including the following:

READ ALL INSTRUCTIONS

- 1.Before plugging cord into wall outlet, or disconnecting, make sure that the cover of the machine is in unlocked condition.
- 2.Do not use appliance on wet surfaces or outdoors. It's recommended for household, indoor use only.
- 3.To disconnect, unplug power cord from electrical outlet. Do not disconnect by pulling on cord.
- 4.Do not place on or near a hot gas or electric burner, or heated oven. Extreme caution must be used when moving products containing hot liquids.
- 5.Closely supervise children when using any electrical appliance. Do not allow appliance to be used as a toy.
- 6.It's no need to use any lubricant, such as lubricating oil or water, on this appliance.
- 7.Do not touch heating sealing strip of this machine. It is hot and may get burnt.

8.To protect against electric shock, do not immerse any part of appliance, power cord or plug in water or other liquid. Unplug from outlet when not in use and before cleaning.

9.Do not operate appliance with a damaged power cord or plug. Do not operate appliance if it malfunctions or is in any way damaged. For details, contact Consumer Services at number listed above.

10.Before plugging appliance in or operating, make sure your hands are dry and do this actions safely.

11.Use appliance only for its intended use.

Note: For best results, use only vacuum Bags, Rolls, Containers and Accessories.

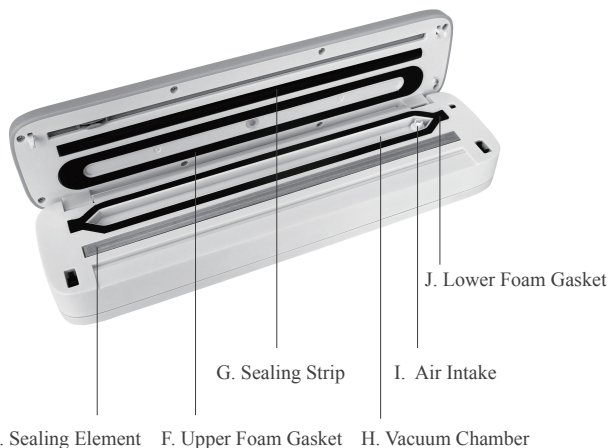
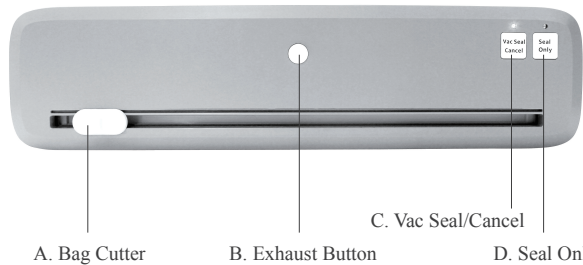
CAUTION:

SAVE THESE INSTRUCTIONS
FOR HOUSEHOLD USE ONLY

Product Specification

VACUUM SEALER	
Model	GN1088
Voltage	100V~240V
Net Weight	1.05KG
Gross Weight	1.5KG
Vacuum Parameters	-60kPa
Sealing Type	Heating Filament Sealing
Size	372*94*69mm
Rated Power	100W
Working Noise	≤68dB
Sealing Width	≤30cm

Product Structure and Function



Operating Instructions

I. How to make a bag from a roll

1. Open the Lid, Pull the bag from the bottom of the lid to the desired size, close the lid and press the left and right sides to lock it, Slide the knife to cut the bag. Then press the left and right sides of the lid again to open it, take out the bag.
2. Get power supply, Open appliance lid and place one end of bag material across sealing strip.
3. Close and Press the left and right ends of the lid.
4. Press seal only button. when manual seal indicator light turn off ,sealing is complete. Press Exhaust Button and then press the left and right sides of the lid to open the machine.



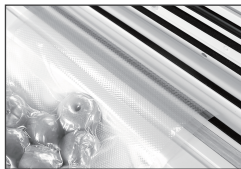
Now you are ready to vacuum package bag with your new bag.

Note:

- ☆ Before sealing, make sure the lid has been locked. Otherwise it will not finish sealing.

II. How to vacuum package with bags

1. Place item(s) in bag, allowing at least 3 inches of space between bag contents and top of bag.



2. Open appliance lid and place open end of bag into Vacuum Channel.



3. Press the left and right sides of the lid to lock it.



4. Press Vac seal button to begin vacuum and sealing process. Motor will continue to run until bag is fully vacuumed, then will automatically seal.



5. When Seal only light turns off, press Exhaust Button and Then press the left and right sides of the lid to open machine.

Note:

☆ Before Vacuum & seal, make sure the lid have been locked.

Trouble-Shooting

Problem	Solution
Nothing happens when Lid is locked and “Vac Seal/Cancel” Button is pressed	<ul style="list-style-type: none"> • Make sure unit is plugged in. • Make sure wall outlet is functional. • Make sure that the left and right sides of the lid is fully locked.
Cannot insert bag into machine	<ul style="list-style-type: none"> • Make sure there is enough bag material to reach center of drip tray. Always allow three inches (7.62 mm) extra space to allow the bag to seal tightly around food contents. • Gently stretch bag flat while inserting. Insert bag curl down into vacuum channel
Air was removed from the bag, but now air has re-entered	<ul style="list-style-type: none"> • Examine the seal. A wrinkle along the seal may cause air to re-enter the bag. To prevent wrinkles in the seal, gently stretch bag flat while inserting bag into Vacuum Channel. • Sometimes moisture or food material (such as juices, grease, crumbs, powders, etc.) along seal prevents bag from sealing properly. Cut bag open, wipe top inside of bag and reseal. • Sharp food items may have punctured bag. Use a new bag if there is a hole. Cover sharp food items with a soft cushioning material, such as a paper towel, and reseal. • Fermentation or the release of natural gases from inside the foods may have occurred. When this happens, food may have begun to spoil and should be discarded.
Bag melts	<ul style="list-style-type: none"> • Sealing Strip may have become too hot. Always wait at least 15 seconds for appliance to cool down before you vacuum package another item.

Care and Cleaning

Remove power cord from electrical outlet. Do not immerse in liquid. Check Gaskets and around Drip Tray to make sure they are free from food materials. Wipe off Gasket with warm soapy cloth if needed. Upper and Lower Gaskets may be removed for cleaning. Clean with warm, soapy water.

Empty Drip Tray after each use. Wash in warm soapy water or place in top rack of dishwasher. Dry thoroughly before re-inserting into the appliance.

Always leave lid latch in open position. Never store lid in latched position as gaskets may become compressed. When appliance is left in closed position, the Gaskets become compressed and the unit may not function properly.

Thank you for choosing us, If there are some unexpected causes of your distress and dissatisfaction, please be sure to contact us, we will give you a Satisfactory answer, thanks again!

Guarantee Card

User Information

Production Model Number	
Factory Serial Number	
Purchase Date	
Customer Name	
Customer Phone	
Customer Address	

Maintenance

Repair date	Trouble and maintenance description	Completion date	Customer signature