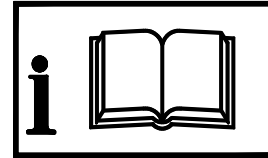


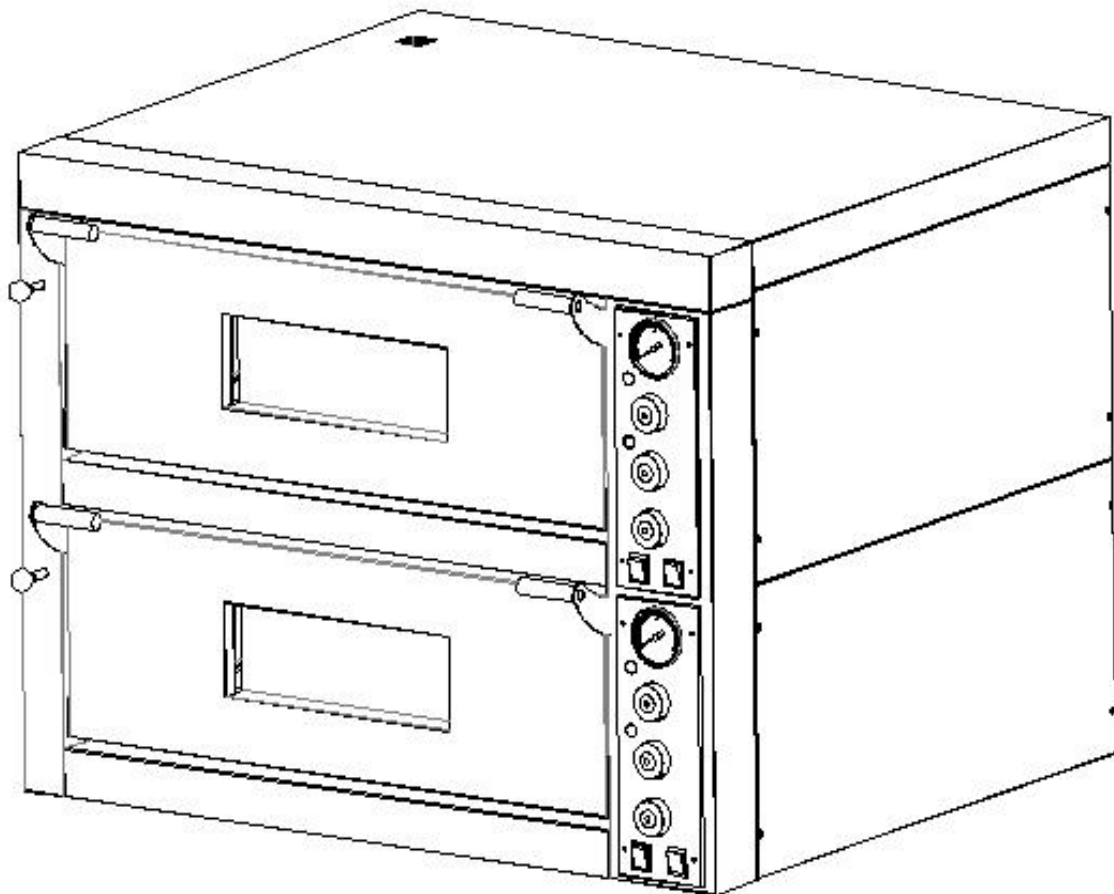
CE



Electric Pizza Oven

User Manuals

Model: **EP8T**



Thanks for your using of our company product, in order to ensure the product performance give full play to the role, please have a read of this manual to avoid unnecessary loss and damage, and get a further study of our product characteristic、installation and operation. Also please keep the manual for further reference.

Index

- I. Safety instruction
- II. Control board operation instruction
- III. Functions
- IV. Machine illustration diagram
- V. Installation instruction
- VI. Operation instruction
- VII. Warning
- VIII. Maintenance
- IX. Trouble shooting
- X. Specification
- XI. Wiring diagrams

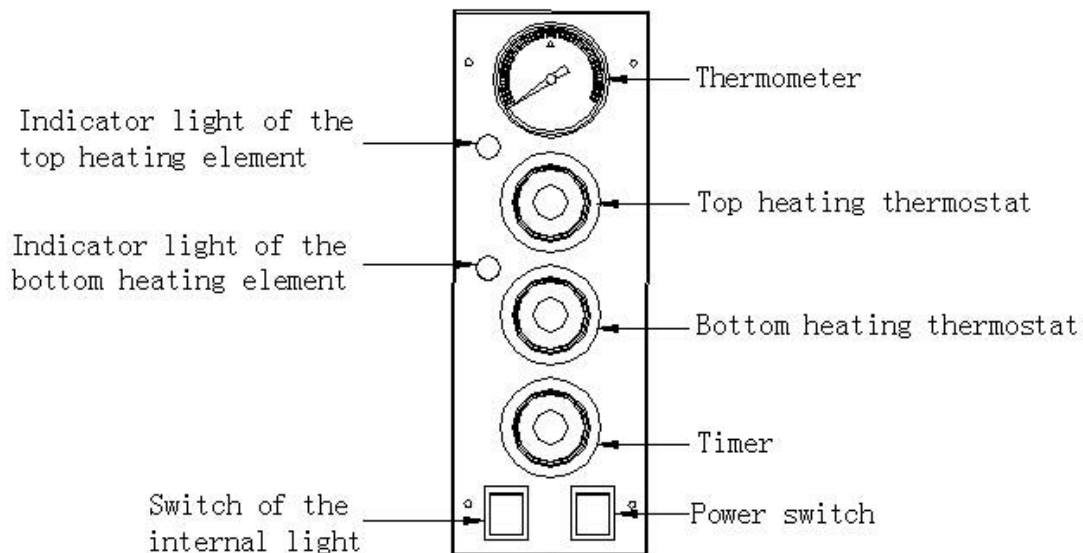
I . Safety instruction



Warning:

1. Please confirm the power supply is suitable for the machine using. Also please confirm if the power socket match the power wire parameter.
2. Please use the oven within the limits of the temperature according to the data plate. Also the ground lead must be connected.
3. Don't place any fire goods near the oven, and don't do washing and painting beside the oven.
4. Please prevent other things from dropping inside the oven, which may cause short circuit problem by touching the resistance wire.
5. The power must be put off before open the oven door, also operator can't leave the oven alone when it heating up.
6. Never clean the oven during it working, and never use gasoline to clean.
7. Don't using the damaged power wire, if there are any damaged spare parts, please replace it before using in case of electric leakage.
8. Before cleaning or maintaining the oven, please turn off the power first.
9. Sharing the ground wire with other machine is forbidden.
10. The oven should be installed and maintained by professional electrician.

II. Control board operation instruction



1.1 The left switch is for controlling the internal lighting

1.2 These two thermostats are separately control the top and bottom heating elements and their indicator lights.

1.3 The right switch is for controlling all the heating elements, turn it on, then the thermostats can be used. The indicator lights turn off when the heating elements reach the set temperature. **(If the power switch is “On”, the timer would be out of function. If you need to use the timing function, please first turn off the power switch, by now, the timer is also act as “power switch”.)**

III. Functions

1. Functions

1.1 Heating up quickly. This oven is equipped with 350°C thermostat, greatly save the cooking time.

1.2 Equipped with baking stone, which makes the food are heated more evenly.

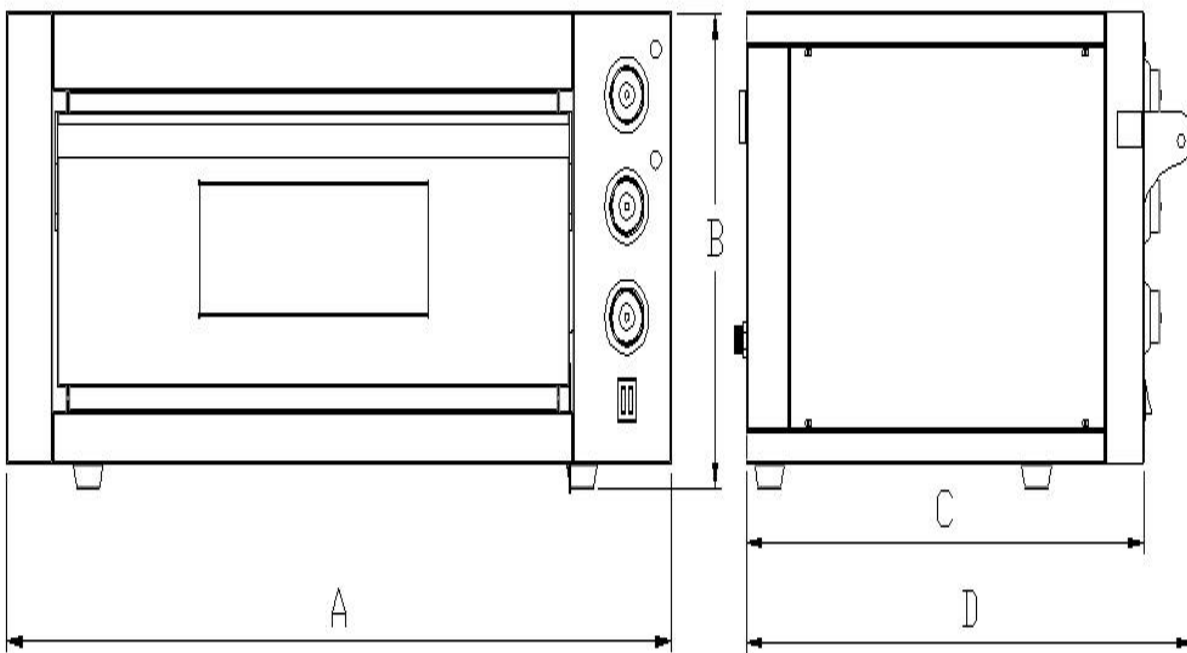
1.3 Two thermostats separately control the top and bottom heating elements, you can freely adjust the temperature of each heating element.

2. Application

2.1 Applicable for baking all the fresh and freeze bread and flour products.

2.2 Applicable for baking fresh and freeze meat.

IV. Machine illustration diagram



Model	A (MM)	B (MM)	C (MM)	D (MM)
EP8T	950	720	805	875

V. Installation instruction

1. All the electrical power unit and circuit connection must be installed by qualified electrician with safety standard.
2. Connection must be based on requirements.
3. Make sure the rubber feet have been installed securely.
4. Product should be place in a well ventilated place on solid platform, and we suggest to least at least 10cm space between the product and the wall or barriers. Also place the product away from combustible materials, and there should be a fire extinguisher equipped around.
5. Remove the packaging film off the surface.
6. The power wire should be connected according to safety standards. Make sure the voltage and frequency conform to the parameters. And please install a double pole switch before connection. When the voltage working, the voltage error should be under $\pm 10\%$.
(Product must be connected to ground.)
7. Connect the cable to the power supply fixed by using a screwdriver according to the connection diagram, then loosen the screw inside the power point, and plug in the cable, make sure the sheet copper compress the power line tightly. If the connection is incorrect, it may cause joint heating and burning off the power cord.

VI. Operation instruction

1. Turn on the power supply.
 - 1.1 Preheating is necessary before baking food.
 - 1.2 The temperature of the oven can be adjusted between 0~350°C.
 - 1.3 Turn the timer clockwise to the desired time, then the indicator light on and the heating element starts working, when it reaches the set temperature, the indicator light off. If the temperature is below the set temperature, the heating element will be automatically reheated and the indicator light on.
 - 1.4 The internal lighting can help monitoring the baking process.
 - 1.5 Cooking time depends on the amount of the food, the more the food had, the longer the time required.
 - 1.6 Please turn off the power if not using.

VII. Warning

1. If you want to clean、 repair or move the machine, please pull out the plug first.
2. Please don't touch the switch or plug with wet hand.
3. The machine can't be flushed directly, and please be careful don't let any water flow into the switch when cleaning.
4. Keep the children from touching or using the machine.
5. The ground wire must be connected, all the connection must be reinstated after maintenance.

VIII. Maintenance

1. Please pull out the plug first before maintenance, and clean it after cooling down the chamber.
2. For daily cleaning, you can use a dry cloth to wipe off the grease on the chamber, don't flush the chamber with water directly. For cleaning the baking stone, please take out the baking stone, use a fur brush to clean its surface, and rinse it with water then dry it. **(Don't use any cleanser to clean the baking stone, because the baking stone can strongly absorb the water, so that the cleanser would be absorbed at the same time, which may affect the flavor of the food.)**
3. We suggest maintain the machine by qualified electrician once in a month.

IX. Trouble shooting

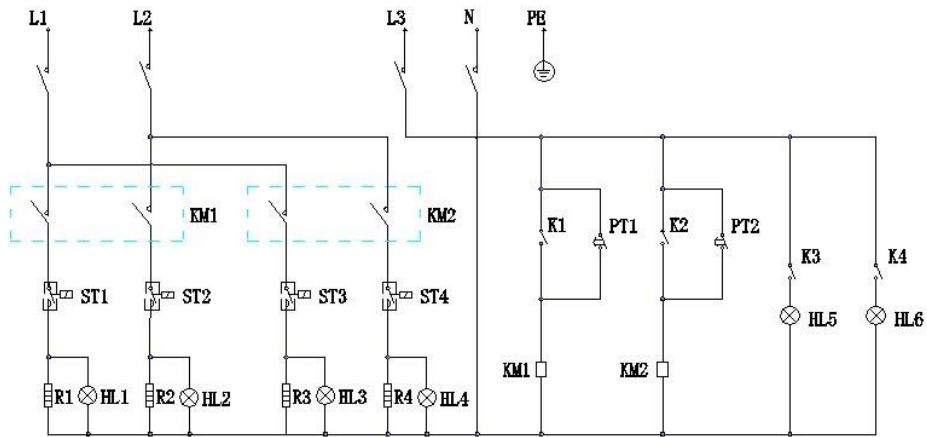
Stoppage	Solution
Not heating up	<ol style="list-style-type: none">1. Please check whether the connection is loose.2. Rotate the thermostat to your needed temperature.3. Please check whether the power switch is match up with the parameters4. Contact the service center for repair suggestion.
Short circuit	Contact the service center for repair suggestion
Internal light Not work	<ol style="list-style-type: none">1. Pull out the plug, and cool down the chamber.2. Replace a new bulb.
Scorching smell appear	Contact the service center to check whether the connection is short out.
Baking unevenly	Readjust the thermostats for each heating elements to see how they work, If they work well, please contact the service center to check if the Heating element need to change.

X. Specification

Model	Temperature range	Dimension(mm)	Internal dimension(mm)	Voltage(V)	Power(KW)
EP8T	0~500 °C	950X720X805	660X660X180X2PS	380V	10

XI. Wiring diagrams

380V ~/50HZ EP8T



ST1 ST2 ST3 ST4-Thermostat

HL1 HL2 HL3 HL4-Indicator

R1 R2 R3 R4-Heating element

PT1 PT2-Timer

K1 K2-Power switch

K3 K4- witch of the
internal light

HL5 HL6 -Internal light

KM1 KM2-AC contactor (220V)