



# UNDERCOUNTER TYPE DISHWASHER

## CONTENTS

---

<b>A</b>	<b>GENERAL INFORMATION .....</b>	<b>Page 2</b>
A1	PRODUCT DESCRIPTION .....	Page 3
A2	TECHNICAL INFORMATION .....	Page 3
A3	TRANSPORTATION .....	Page 4
A4	UNPACKING .....	Page 4
<b>B</b>	<b>INSTALLATION .....</b>	<b>Page 4</b>
<b>C</b>	<b>SAFETY INSTRUCTIONS .....</b>	<b>Page 5</b>
<b>D</b>	<b>OPERATION .....</b>	<b>Page 6</b>
<b>E</b>	<b>CLEANING &amp; MAINTENANCE.....</b>	<b>Page 7</b>
<b>F</b>	<b>TROUBLESHOOTING .....</b>	<b>Page 8</b>
<b>G</b>	<b>SPARE PART LIST- EXPLODING DRAWING .....</b>	<b>Page 9</b>
<b>H</b>	<b>ELECTRIC CIRCUIT SCHEMA .....</b>	<b>Page 12</b>

## A GENERAL INFORMATION

---

**Before installing the appliance, read operation and maintenance instructions carefully. Wrong installation and part changing may damage the product or may cause injury on people. These are not in our company's responsibility to damage the appliance intentionally, negligence, detriments because of disobeying instructions and regulations, wrong connections. Unauthorized intervention to appliance invalidates the warranty.**

1. This instruction manual should be kept in a safe place for future reference.
- 2. Installation should be made in accordance with ordinances and security rules of that country by a qualified service personnel.**
3. This appliance has to be used by trained person.
4. Please turn off the appliance immediately in the event of malfunction or failure. The appliance should be repaired only by authorized service personnel. Please demand original spare part.

# UNDERCOUNTER TYPE DISHWASHER

## A1 PRODUCT DESCRIPTION

\*The Professional Undercounter Type Dishwasher ,that provides high efficiency has been designed to be used in industrial kitchens.

Product Code	Dimensions (mm)	Weight (kg)	Packaging Dimensions (mm)
EMP.500	590x700x820	67	725x650x970

## A2 TECHNICAL INFORMATION

Product Code	EMP.500
Capacity (Plate/ hour)	500
Water Consumption (Lt/Piece.)	2,5
Total Power (KW)	6
Motor Power (KW)	0,55
Operating Voltage (V)	220
Water Pressure ( bar )	4
Washing Tank Power (KW)	2,5
Rinsing Tank Power (KW)	3
Cable (mm <sup>2</sup> )	3x2,5
Fuse (A)	32
Max.Plate Diameter (Ø)	320
Program Number (°C)	90 - 120 - 180

**A3 TRANSPORTATION**

---

\*This appliance can not be moved by hand from area to area. It must be moved on pallet with forklift truck.

**A4 UNPACKING**

---

\*Please unpack the package according to the security codes and ordinances of current country and get rid from the pack. Parts which contacts with food are produced by stainless steel. All plastic parts are marked by material's symbol.

\*Please check that all the parts of appliance had come completely and if they are damaged or not during the shipping.

**B INSTALLATION**

---

\*Please place the product to straight and sturdy ground, please take necessary steps against possibility of overturn.

\*Technician who will serve for installation and service for the appliance must be professional on this subject and must have installation and service licenses by the company.

\*Connection to Electric Power Supply must be done by authorized person.

\*Please be sure that the voltage connected to appliance must be equal with the voltage which is on appliance's label.



This appliance must be connected to an earthed outlet in accordance with safety rules and standards.










\*Appliance's earthing must be connected to earthing line on panel which is nearest to electric installation.

\*Connection to the main fuse and leak current fuse must be done in accordance with the current regulations.

## UNDERCOUNTER TYPE DISHWASHER

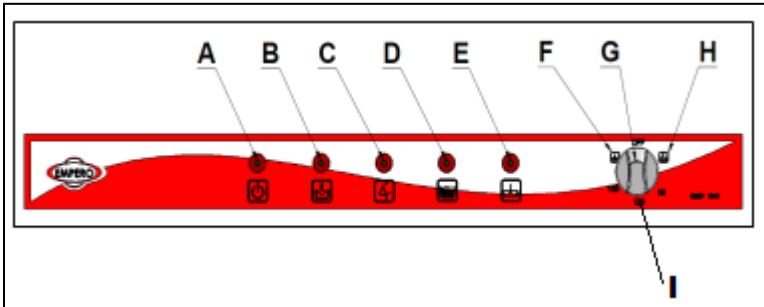
### C SAFETY INSTRUCTIONS

---

-  \*Do not use the appliance in insufficient lighted place.
-  \*Do not touch the moving attachments while the appliance operates.
-  \*Do not install the appliance in the presence of flammable or explosive materials.
-  \*Do not operate the appliance when the machine is empty.
-  \*Do not load so less or more than appliance's capacity.
-  \*Do not attempt to use the appliance without suitable protective equipments.
-  \*Because of any reason if there is a fire or flame flare where the appliance is used, turn off all gas valves and electric contactor switch quickly and use fire extinguisher. Never use water to extinguish the fire.
-  \*All the damages because of not having earthing connection will not be on warranty.
-  \*Do not wash the decorated dishes. Prevent silver wares to contact with the other metals.

## D OPERATION

### \*Control Panel;



- A** : Appliance ON lamp
- B** : Water heated lamp
- C** : Washing lamp
- D** : Water getting /rinsing
- E** : Evacuation lamp
- F** : Evacuation position
- G** : Appliance OFF position
- H** : Water inlet
- I** : Washing program

### \*Operating;

- Change the water that is in water tank 3 times in a day.
- Before putting the dishes in to the appliance,make prewash with cold or warm water without using any detergent.
- Turn on the water source valve and plug in the appliance.
- In order to take off any residue that remain in storage or pipes,operate the appliance when it is empty.
- When the appliance is at OFF position,get "water inlet" by switching to right.If "water heated lamp" signals ,it indicates that the power is given to the dishwasher,water is given and heated.
- Open the appliance's lid and put enough detergent into the storage.(If detergent pump is not connected ).
- Place the dirty dishes on baskets.
- Close the lid and choose the suitable washing program.Connected indicator lamp signals and washing starts.
- Washing process; for hot water and washing with detergent (minimum 55°C) ,for rinsing with hot water and polisher (minimum 75°C).
- After washing process,the appliance will start the automatic rinsing program.
- At the end of program,open the lid and take off washed basket.Place another basket to be washed.The machine will do washing and rinsing process at chosen program.



## UNDERCOUNTER TYPE DISHWASHER

### **E CLEANING & MAINTENANCE**

---

#### ➤ **CLEANING AND MAINTENANCE AFTER EVERY USE**

- Always turn off the appliance and disconnect from the power supply before cleaning.
- Evacuate the water by taking off the stopple and switching to evacuation position after every use.
- Clean all surfaces of the appliance with hot soapy water after every use. Rinse and dry with a wet cloth.
- Clean the control panel with soft moisty cloth, if necessary use ineffective detergent.
- Do not use abrasive cleaning chemicals as these can leave harmful residues.
- Do not clean the appliance by spraying water directly, otherwise electric motor may get damaged.

#### ➤ **PERIODIC CLEANING AND MAINTENANCE**

- Maintenance should be done by qualified person.
- Clean the limes of the burner, inner surface of the washing tank and water pipes once or twice in a year.
- Clean the limes with using rinsing and washing nozzles once in a month by using vinegar or lime remover.
- Clean the filters in the appliance once in a week. After cleaning be sure that thumbscrew is compressed.
- Clean the appliance's fountains once in 15 days by detaching it.
- Clean the appliance's evacuation stopple and evacuation hoses once in 15 days.

## F TROUBLESHOOTING

<b>THE APPLIANCE DOESN'T WASH WELL</b>	<ol style="list-style-type: none"> <li>1. Clean the absorbing filter if it is dirty.</li> <li>2. Check the washing nozzles if they are accumulated with residues or not.</li> <li>3. Check the amount of detergent.</li> <li>4. If chosen washing program is too less,repeat the program.</li> <li>5. Check if the plates are placed to the baskets correctly.</li> </ol>
<b>CUPS AND PLATES ARE NOT DRIED WELL</b>	<ol style="list-style-type: none"> <li>1. If there is polisher or not,if not add some.</li> <li>2. Check the amount of polisher.</li> </ol>
<b>MIST OVER ON CUPS</b>	<ol style="list-style-type: none"> <li>1. After washing process ,take off the cups from baskets.</li> </ol>
<b>CORROSION ON CUPS</b>	<ol style="list-style-type: none"> <li>1. Only use products that are not foaming for the professional dishwashers.</li> </ol>
<b>MUCH FOAM AT STORAGE</b>	<ol style="list-style-type: none"> <li>1. Check the amount of detergent .</li> <li>2. If foaming detergent is used,pour it and rinse the storage till the foams are lost.</li> </ol>
<b>WASHING OR RINSING HANDLES ARE TURNING SLOWLY</b>	<ol style="list-style-type: none"> <li>1. Take off washing handles and clean them.</li> <li>2. Clean the washing pump absorbing filter.</li> </ol>
<b>VISCIDITY AND SPOTS ON CUPS</b>	<ol style="list-style-type: none"> <li>1. Reduce the amount of polisher.</li> </ol>

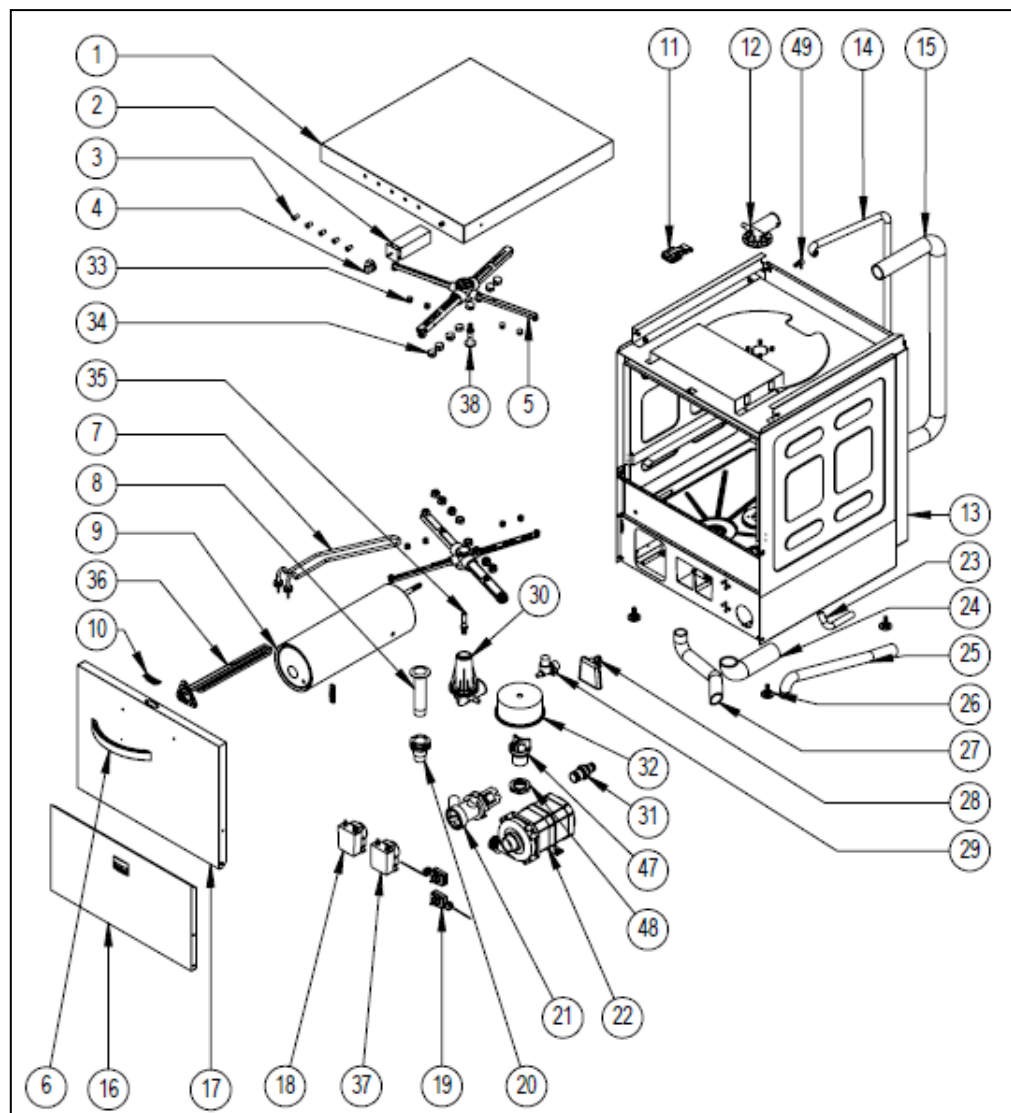
- If dishwashing is not done at suitable quality
- If any function of security doesn't work
  - Do not use the appliance.

**\*If these problems are still going on,contact with our authorized services.**



# UNDERCOUNTER TYPE DISHWASHER

## G SPARE PART LIST-EXPLODING DRAWING



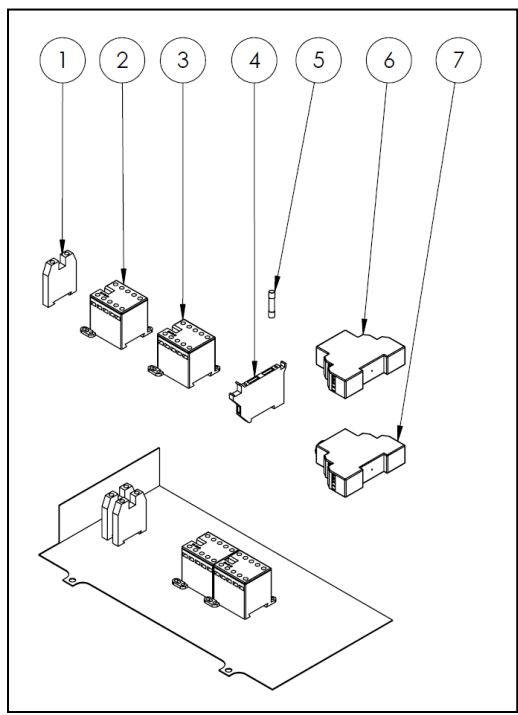
# UNDERCOUNTER TYPE DISHWASHER

## G SPARE PART LIST-EXPLODING DRAWING

PRODUCT CODE : EMP.500		
NUMBER	PRODUCT NAME	PRODUCT CODE
1	TOP LID	Y.EMP.500.001
2	SWITCH	Y.EMP.500.002
3	WARNING LAMP	Y.EMP.500.003
4	SWITCH BUTTON	Y.EMP.500.004
5	TOP EJECTOR	Y.EMP.500.005
6	LID HANDLE	Y.EMP.500.006
7	BOWL RESISTANCE	Y.EMP.500.007
8	DRAINAGE WEDGE	Y.EMP.500.008
9	BOILER TANK	Y.EMP.500.009
10	LID LOCK PLASTIC	Y.EMP.500.010
11	LID LOCK	Y.EMP.500.011
12	TOP EJECTOR HANDLE	Y.EMP.500.012
13	BASE FRAME	Y.EMP.500.013
14	RINSING HOSE	Y.EMP.500.014
15	WASHING HOSE	Y.EMP.500.015
16	BOTTOM LID	Y.EMP.500.016
17	FRONT LID	Y.EMP.500.017
18	DETERGENT PUMP	Y.EMP.500.018
19	THERMOSTAT	Y.EMP.500.019
20	WEDGE BEARING	Y.EMP.500.020
21	DRAINAGE PUMP	Y.EMP.500.021
22	MOTOR	Y.EMP.500.022
23	BOILER VALVE HOSE	Y.EMP.500.023
24	BOWL PUMP HOSE	Y.EMP.500.024
25	DRAINAGE HOSE	Y.EMP.500.025
26	FEET	Y.EMP.500.026
27	BOWL DRAINAGE HOSE	Y.EMP.500.027
28	AIR LOCK	Y.EMP.500.028
29	VALVE	Y.EMP.500.029
30	BOTTOM EJECTOR HANDLE	Y.EMP.500.030
31	DRAINAGE ADD. PIPE	Y.EMP.500.031
32	FILTER	Y.EMP.500.032
33	RINSING NOZZLE	Y.EMP.500.033
34	WASHING NOZZLE	Y.EMP.500.034
35	EJECTOR SHAFT	Y.EMP.500.035
36	BOILER RESISTANCE	Y.EMP.500.036
37	POLISHER PUMP	Y.EMP.500.037
38	EJECTOR NUT	Y.EMP.500.038
39	BALLCOCK	Y.EMP.500.039
47	FILTER HOLDER	Y.EMP.500.047
48	FILTER NUT	Y.EMP.500.048
49	DETERGENT INLET ATTACHMENT	Y.EMP.500.049

# UNDERCOUNTER TYPE DISHWASHER

## G SPARE PART LIST-EXPLODING DRAWING

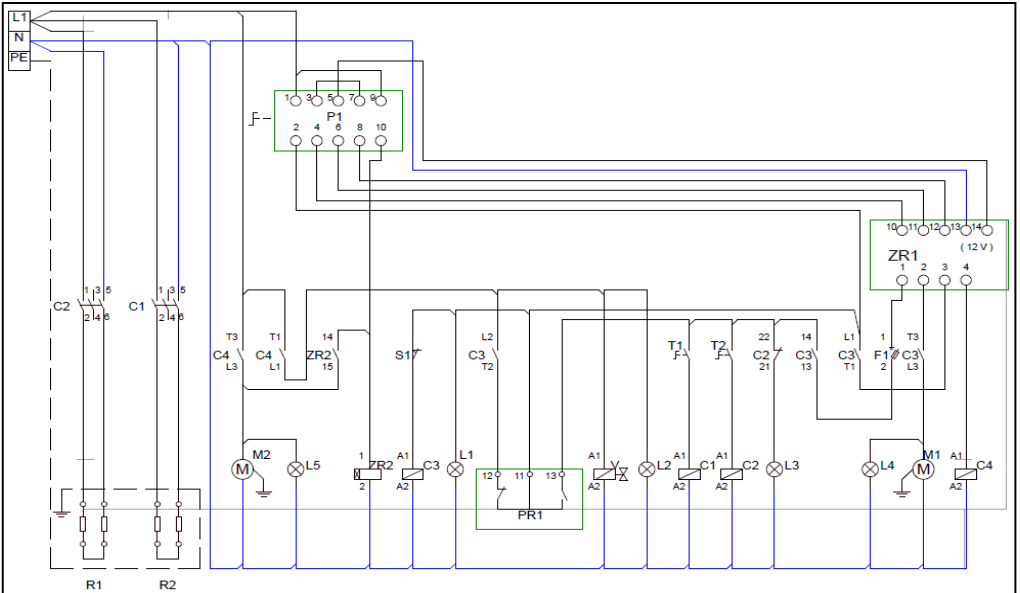


EMP.500 PANO		
NUMBER	PRODUCT NAME	PRODUCT CODE
1	TERMINAL BLOCK	Y.EMP.500.040
2	CONTACTOR	Y.EMP.500.041
3	CONTACTOR	Y.EMP.500.042
4	FUSE HOLDER	Y.EMP.500.043
5	GLASS FUSE	Y.EMP.500.044
6	WASHING TIME RELAY	Y.EMP.500.045
7	DRAINAGE TIME RELAY	Y.EMP.500.046



# UNDERCOUNTER TYPE DISHWASHER

## H ELECTRIC CIRCUIT SCHEMA



P1	S1	C1	C2	C3	C4	PR1
5 Progressive Commutator	Magnetic Door Sensor	Boiler Contactor 230V	Washing Contactor 230V	Lid Contactor 230V	Rinsing Contactor 230V	Prossestat

L1	L2	L3	L4	L5	ZR1	ZR2	V
Start lamp	Rinsing lamp	Water is heated lamp	Washing lamp	Evacuation lamp	5 Cycle- cycle Relay (INTER RR-5TG)	0-240 sec. cycle relay	Solenoid valve 230V

F1	T1	T2	M1	M2	R1	R2
ZR1 Fuse 500mA	Boiler thermostat (30-90°C)	Washing thermostat (30-90°C)	Washing motor 0,55 KW 230V	Evacuation motor 0,44 W 230V	Washing resistance 2500W 230V	Boiler resistance 3000W 380V