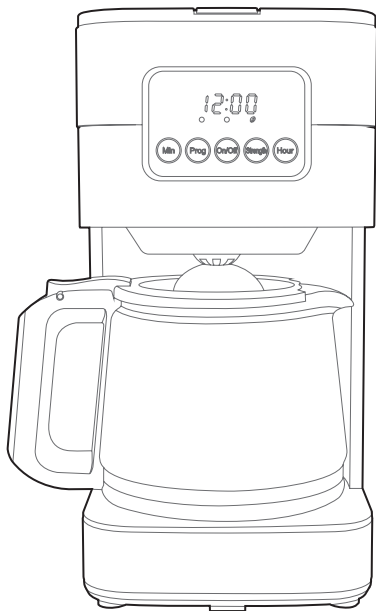


# USER MANUAL



Coffee Maker

CM1429TA-GS



# CONTENTS

- Important Safety Instructions ..... 1
- Specification ..... 2
- Parts Identification ..... 3
- Operation ..... 4
- Programmable Function ..... 5
- Cleaning and Maintenance ..... 6
- Disposal ..... 7

# Important Safety Instructions

Basic safety precautions should be followed when using this product, especially when children are present. Read all instructions carefully before using this product:

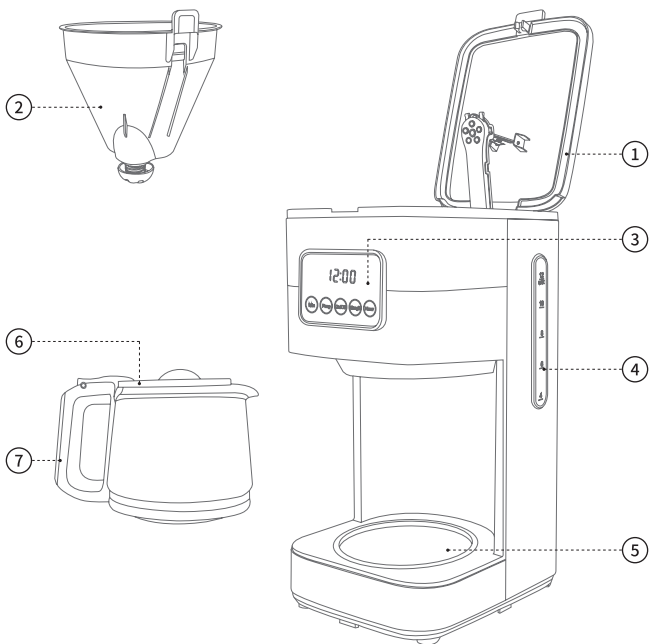
1. Read all instructions.
2. Make sure that your outlet voltage corresponds to the voltage stated on the rating label of the coffee maker.
3. To protect against fire, electric shock and injury to persons do not immerse cord, plug, or in water or other liquid.
4. Close supervision is necessary when the appliance is used by or near children.
5. Unplug from outlet when not in use and before cleaning. Allow cooling before putting on or taking off parts, and before cleaning the appliance.
6. Do not operate any appliance with a damaged cord or plug or after the appliance malfunctions, or has been damaged in any manner. Return appliance to an authorized service facility for examination, repair or adjustment.
7. The use of accessory not recommended by the appliance manufacturer may result in fire, electric shock or injury to persons.
8. Do not use outdoors.
9. Do not let cord hang over the edge of table or counter, or touch hot surface.
10. Do not place on or near a hot gas or electric burner, or in a heated oven.
11. Do not use the appliance for other than intended use.
12. Do not clean containers with cleansers, steel wool pads, or other abrasive material.
13. To disconnect, turn any control to "Off", remove the plug from the wall outlet. Always hold the plug but never pull the cord.
14. Scalding may occur if the cover is removed during the brewing cycles. Be careful not to get burned by the steam.
15. Some parts of the appliance are hot when operated, so do not touch with hand. Use handles or knobs only.
16. Do not set a hot container on a hot or cold surface.
17. Never leave the empty carafe on the warming plate otherwise the carafe is liable to crack.
18. Never use the appliance if the carafe shows any signs of cracks or carafe having a loose or weakened handle. Only use the carafe with this appliance. Use carefully as the carafe is very fragile.

19. Do not let the coffee maker operate without water.
20. Appliances can be used by persons with reduced physical, sensory or mental capabilities or lack of experience and knowledge if they have been given supervision or instruction concerning use of the appliance in a safe way and they understand the hazards involved.
21. To reduce the risk of fire or electrical shock, do not remove the cover. No user-serviceable parts inside. Repair should be done by authorized service personnel only.
22. The container is designed for use with this appliance. It must never be used on a range top.
23. The appliance must not be immersed.

## Specification

Model	CM1429TA-GS
Net Weight	1.9kg
Material	Stainless Steel
Rated Power	900W
Rated Voltage	220-240V~
Rated Frequency	50/60Hz

# Parts Identification



① Water Tank Lid

③ Touch-screen Control Panel

⑤ Warming Plate

⑦ Carafe Handle

② Removable Funnel

④ Water Tank

⑥ Carafe Lid

# Operation

1. Open the water tank lid and fill the water tank with drinking water. Water should not exceed the MAX level.
2. Place the removable funnel into the funnel support, make sure it is assembled correctly, otherwise the water tank lid can not be closed. Place a paper filter in the funnel.
3. Add coffee powder into the paper filter. Usually a cup of coffee needs a spoon of coffee powder (you can adjust according to personal taste). Close the water tank lid completely.
4. Insert the glass carafe onto the warming plate horizontally.

5. Plug the power cord into the outlet. If you want to adjust the coffee strength, you can press the "Strength" button once, and then the "Strength indicator" illuminates in red and the appliance will brew thick coffee. If you do not want to, just follow the following operation to brew normal coffee.



6. Press the "On/Off" button, the "On/Off indicator" illuminates in red then the appliance begins to work.
7. The brewing process can be interrupted by pressing the "On/Off" button at any time. And the appliance will continue brewing once the "On/Off" button is pressed again.
8. Remove out carafe to serve when finish brewing (about one minute later after the coffee stops dripping out.)
9. When the process is finished, if you do not want to serve immediately, keep the coffee maker be energized, and the coffee can be kept warm on the warming plate. And the appliance will shut off automatically after 40 mins from the ON/OFF button being activated if it has not been manually disconnected at the completion of brewing.
10. For an optimum coffee taste, serve it just after brewing.
11. Always turn the appliance off and disconnect the power supply when not use.

# Programmable Function

If you do not want the coffee maker to start operation immediately, for example now it is 8:10, you hope that the coffee maker will automatically start working at 13:00, first follow steps 1 to 5 of the above section, and then you can set the auto-start function as follows:

1. Set the current time by pressing the "Hour" and "Min" button repetitively, which is 8:10.



2. Press the "Prog" button once and the "Program indicator" blinks in white.



3. Set the auto-start time by pressing the "Hour" and "Min" button repetitively that is 13:00.



4. Press the "Prog" button again, the "Program indicator" illuminates in white solidly. After a while, the display will indicate the current clock.



5. When the time is due, the On/Off indicator will illuminate in red and the appliance starts brewing.



6. When the process is finished, if you do not want to serve immediately, keep the coffee maker be energized, and the coffee can be kept warm on the warming plate. And the appliance will shut off automatically after 40 mins from the On/Off button being activated if it has not been manually disconnected at the completion of brewing.



7. For an optimum coffee taste, serve it just after brewing.

## Note:

1. The time cycle is 24 hours.
2. You may cancel the auto-start function by pressing the "Prog" button again. If you want to change the auto-start time, only following the above 2-4 steps again.
3. During the brewing process, the buttons of "Prog", "Hour" and "Min" are invalid.



# Cleaning and Maintenance

## **CLEANING:**

Be sure to unplug this appliance before cleaning. To protect against electrical shock, do not immerse cord, plug or unit in water or liquid. After each use, always make sure plug is first removed from the wall outlet.

1. Clean all the parts(including the removable carafe and the funnel) after each use.
2. Wipe the exterior surface of the unit with a soft, damp cloth to remove stains.
3. Water droplets may buildup in the funnel and drip onto the product base during brewing. To control the dripping, wipe off the area with a clean, dry cloth after each use.
4. Use a damp cloth to gently wipe the warming plate. Never use abrasive cleaner to clean it.

## **MAINTENANCE:**

To keep your coffee maker operating efficiently, periodically you should clean away the mineral deposits left by the water according to the water quality in your area and the use frequency, we recommend removing mineral deposits as follows:

1. Fill the tank with water and descaler to the max level as indicated on water gauge(the scale of water and descaler is 4:1, the detail refers to the instruction of descaler. Please use "household descaler", you may also use the citric acid instead of the descaler (one hundred parts of water and three parts of citric acid).
2. Insert the glass carafe onto the warming plate horizontally.
3. Make ensure funnel is assembled in place.
4. Switch on the appliance and allow it to "brew" de-scaling solution.
5. After "brew" finished, switch off the appliance.
6. Leave the solution stay for 15 minutes and repeat steps 4-6.
7. Switch on the appliance and run off the solution until the water tank is completely empty.
8. Rinse by operating the appliance with water at least 3 times.

# Disposal

This product should not be disposed of with other household wastes.  
To prevent possible harm to the environment or human health from uncontrollable waste disposal, it should be recycled responsibly.



