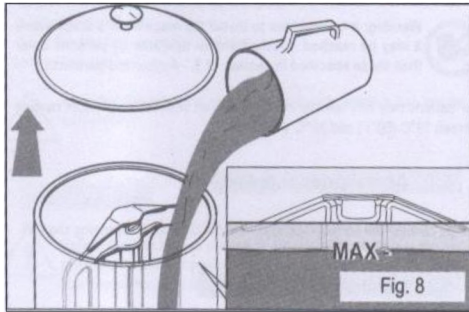


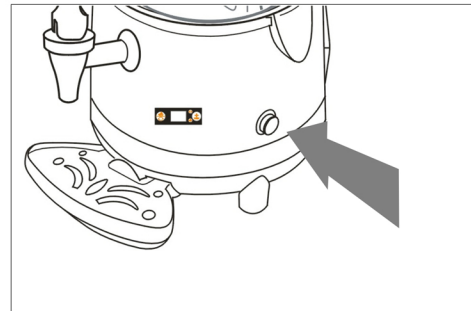
Hot chocolate machine Operation manual

Read these operation instructions carefully before using the machine

Operation

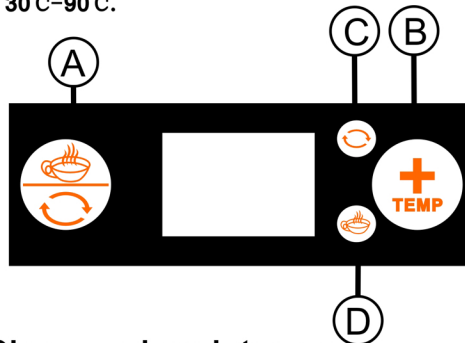


Remove the lid and pour the beverage prepared according to the manufacturer's instructions into the bowl. Never exceed the maximum level which is marked-MAX- on the tray itself.



Press the main switch to start the machine.
Lit LED=machine on
LED off- machine off

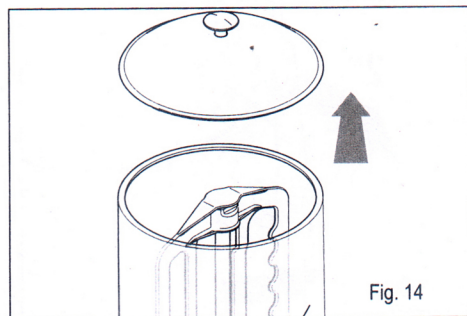
The heating temperature was between: 30°C-90°C.



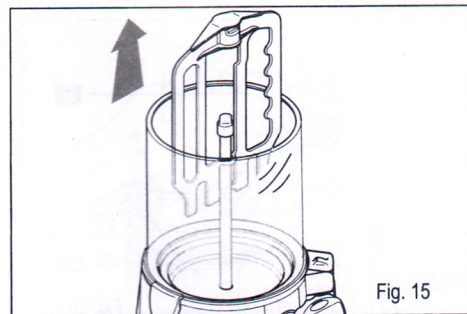
A: Heating & mixing switch
B: temperature adjust
C: mixing light
D: heating light

Power on, press A, the mixer starts work, C light on. Press A again, the heater starts work, D light on. Press A till both C and D light off. Then press B and hold on till the temperature goes up. Release B till the thermostat goes to where your required temperature is.

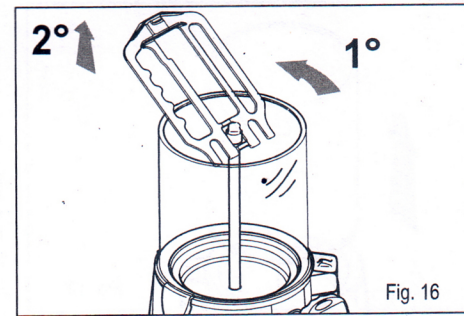
Clean and maintenance:



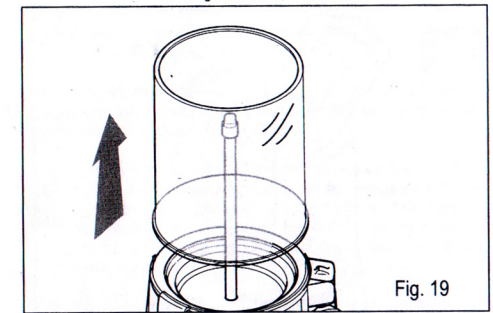
Take off the lid, as pic showed.



Slide the mixer upwards to remove it. Keep it in line with the central rod until the bottom slot of the mixer itself is level with the rotation pin.

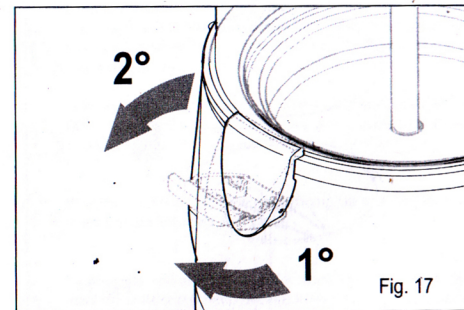


Tilt the mixer and slide it upwards, as illustrated in the figure, to remove it completely.

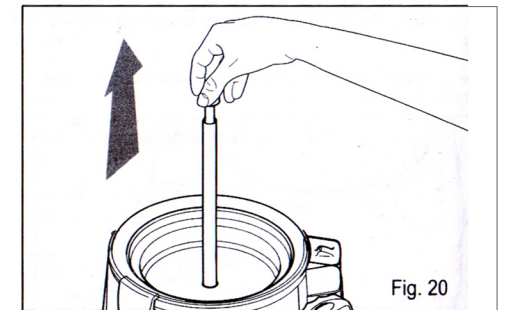


Slide the bowl upwards using both hands.

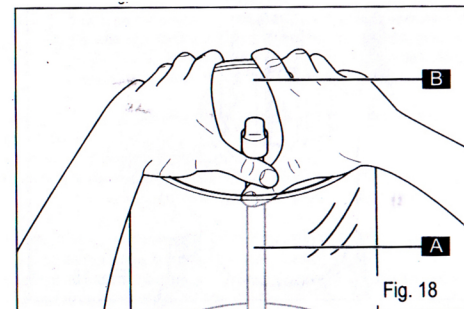
Attention:
It's not allowed to remove the bowl if there is liquid inside the bowl.



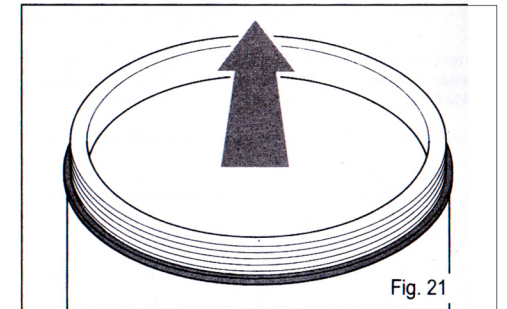
Unlock the bowl hook-on to free the bowl from the machine body.



Slide the mixing auger upwards with one hand, taking care to grip it by the rotation pin.



Release the bowl from the machine body, using two fingers to pry it away from the fixed steel part of the mixer auger.



Place the bowl on a flat surface and using both hands, remove the gasket by sliding it upwards in the direction shown by the arrow.

Assembling:

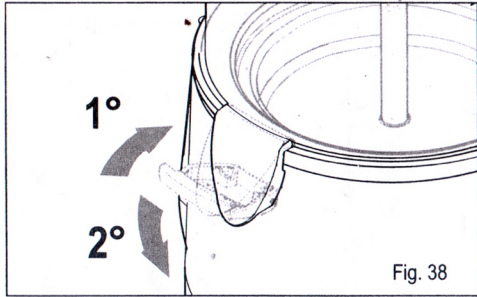


Fig. 38

Fix the bowl to the machine body using the relevant hook-on handles.

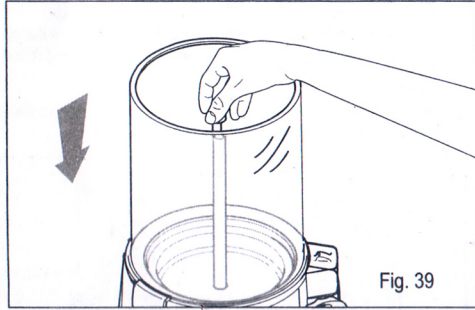


Fig. 39

Insert the mixer auger into its seating.

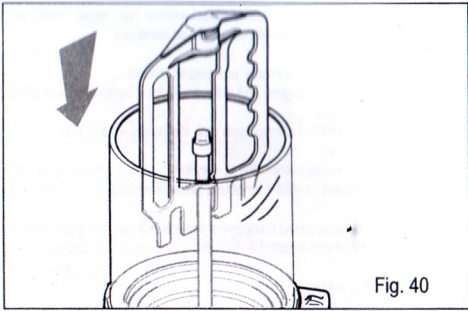


Fig. 40

Insert the mixer into its seating following the steps described in paragraph 16.

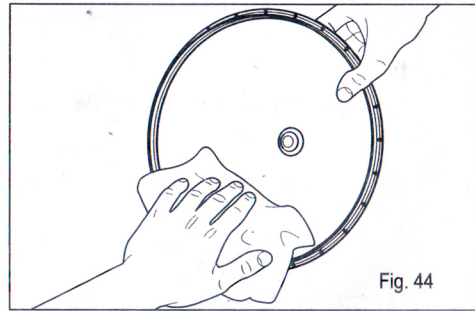
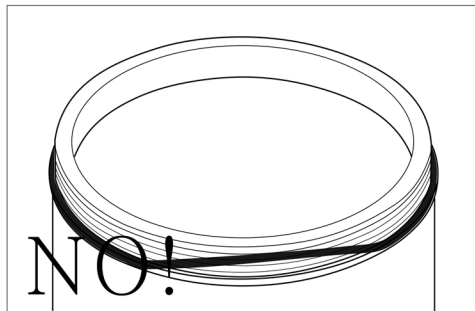
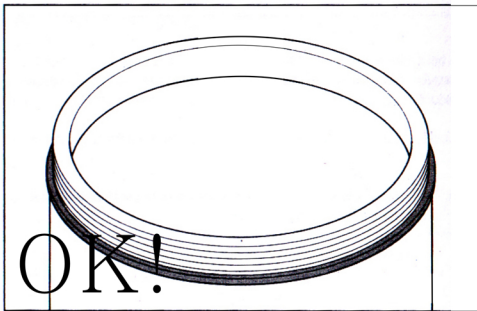


Fig. 44

Clean the lid using a damp cloth. Rinse thoroughly using clean water



Here show the bowl gasket correctly assembled. If the gasket does not perfectly adhere to the bowl edge, there will cause liquid leaking

Main components

The main components making up the machine are:

- | | |
|--------------------------|------------------------|
| 1 bowl lid | 8 heater |
| 2 bowl (5 or 10 liters) | 9 bowl hook-on handles |
| 3 mixer | 10 main body |
| 4 product dispenser unit | 11 LED display |
| 5 drip tray grid | 12 power switch |
| 6 drip tray | 13 lower body |
| 7 mixing auger | |

