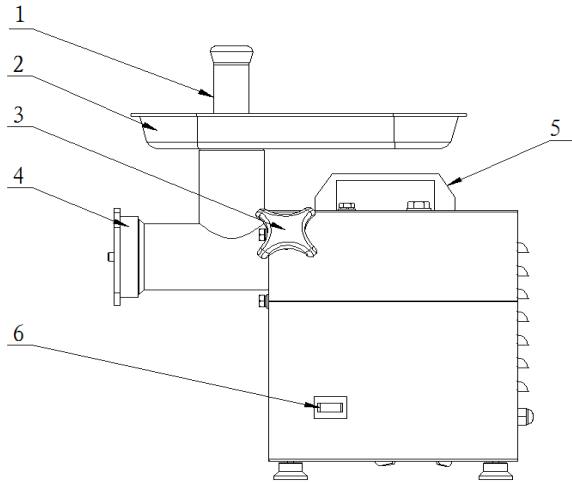
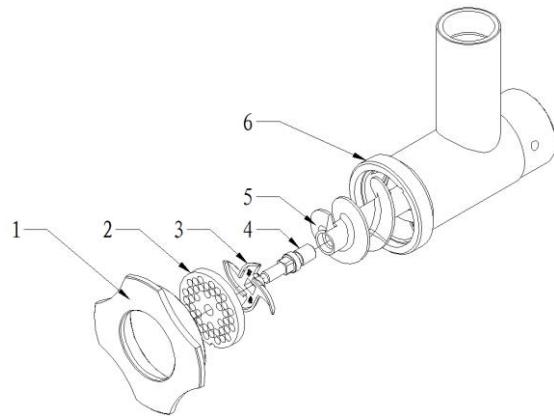


I . Structure of machine



1. Feeding stick 2. Meat pan 3.Lock handle 4.Grinder Head
5. Handle 6. Switch

Meat Grinder Head



- 1.round screw cap 2.round blade 3.knife 4.screw bolt
5.screw 6.grinding head

II .Technical Data:

Model	C8A	C12A	C22A
Efficiency	80kg/h	120kg/h	220kg/h
Power	370w	750w	1100w
Voltage	230V	230V	230V
Packing size	360x210x410 mm	430x230x415 mm	460x230x435 mm
N.W	18kg	22kg	27kg

III . Use and Maintenance:

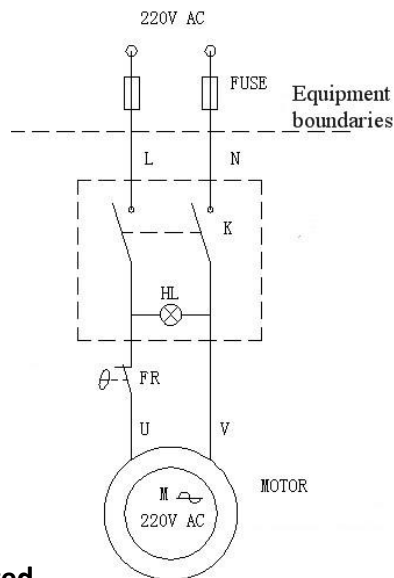
1. Check the power, make sure the power is accordance with the rated voltage and the plug is equipped with a ground line. As to single-phase motor, the actual voltage should be more or less 10% of the rated voltage, or it must be equipped with regulator, connect the power and correct the direction before using it.
2. Before operation, take apart all the parts of the head, clean it one by one, then assemble the head again and tighten the handle. Attention that the front nut should not be too tight.
3. Weed the skin and bone before grind the meat, then cut it into slice.
4. Switch on, put the raw meat into the filler after the motor in normal condition. Press the raw meat with a stick when it's necessary.
5. Check the machine as follows if the meat moves very slow or the meat become mushily:
 - a. The carving knife fixed the board improper because of the front nut too looseness, adjust the knife.
 - b. Dredge the outlet of the meat board when it is blocked.
 - c. The meat knife becomes blunt, mill it or change a new one.
6. Keep the machine clean, wash the grinding parts after using.
7. The damaged wire should be sent to the appointed agent or serving spot if the wire is damaged. Or our company will not bear the responsibility.

NOTICE:

1. PLEASE AVOID CHILDREN PLAY WITH THE MEAT GRINDER!!
2. The meat grinder can't be cleaned with a water jet.
3. Do not use the appliance if the blade box is damaged.
4. If the supply cord is damaged, it must be replaced by the manufacturer or its service agent or a similarly qualified person in order to avoid a hazard.
5. This appliance is not intended for use by persons (including children) with reduced physical, sensory or mental capabilities, or lack of experience and knowledge, unless they have been given supervision or instruction concerning use of the appliance by a person responsible for their safety.
6. Correct disposal of this product.

IV Motor Diagram

K: Switch
HL: Indicator lamp
FR: Thermal protector



Imported by: Adexa Direct Limited
Unit 1 Swift Point, Cosford Lane, Swift Valley Industrial Estate,
Rugby,
CV21 1QN, UK
service@adexa.co.uk , T:+44 1788 222 410



Adexa

Meat Grinder C8A C12A C22A User's Manual



PLEASE READ THE OPERATING INSTRUCTIONS
CAREFULLY BEFORE USING THE MEAT GRINDER!!