



ELECTRIC GRIDDLE

6E-GH40

6E-GH60

USER'S MANUAL

Thank you for purchasing and using 6E-GH Series Electric Griddle. In order to make good use of the appliance and minimize unnecessary loss and damage, please read the manual book carefully before using and keep it in visible place for future reference.

WARNING!

! The appliance is not suitable for the people who have physical, sensory or mental defects, or the people who are lack of operating knowledge or experience to use (including children).

! Any refitting and wrong installation, adjustment and maintenance can cause property loss and casualty. Please contact the supplier if you need to adjust or maintain the appliance. And all these operations should be done by authorized professionals.

! Do not put flammable liquid, gas or other flammable objects around the appliance for your safety sake.

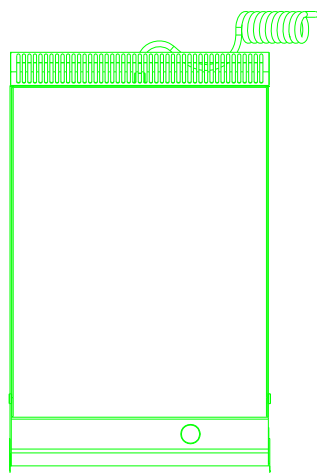
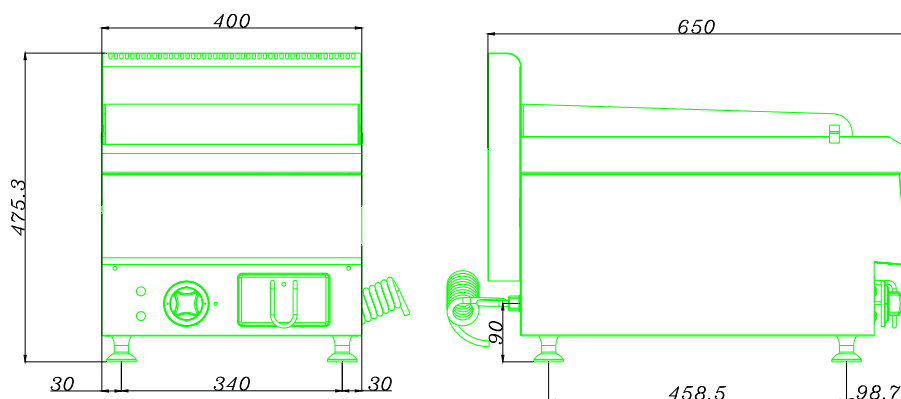
! Make sure the using voltage coordinate with the voltage that stated on the nameplate. The appliance should be grounded safely before using.

! Never use hard and sharp materials to scrape the surface of body and the surface of heating element.

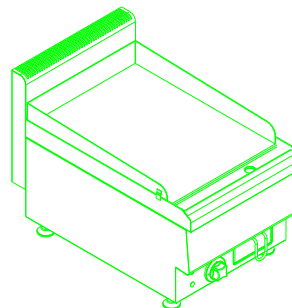
A. Basic Parameter

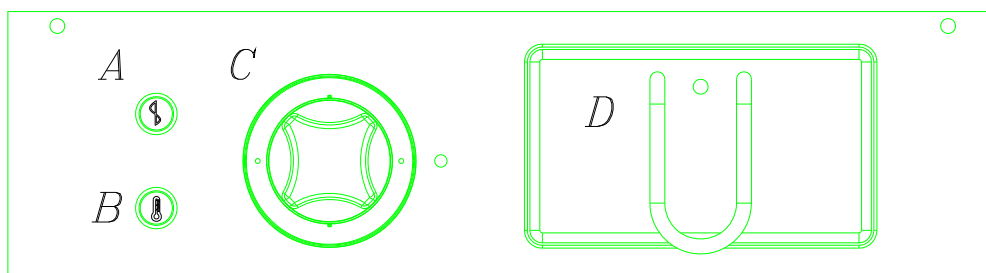
Model	6E-GH40	6E-GH60
Rated Voltage	220-240V/50Hz	220-240V/50Hz
Rated Input Power	3kW	6kW
Tem Range (°C)	30~320	30~320
Cooking Dimension WxD mm	40 x 50	60 x 50
External Dimension WxDxH mm	400x650x540	600x650x540
Net Weight (kg)	44kg	65kg

B. Structure



6E-GH40
Electric Griddle





A. Power Indicator B. Temperature Indicator C. Thermostat Knob D. Oil Tray

C. Installation

1. The electrical installation of the appliance should be operated by qualified electrician. The ground connection must be fixed firmly to prevent accidental loosening.
2. The appliance should be positioned stably.
3. The supply voltage must coordinate with the rated voltage of the appliance. It should be installed a general on/off switch on the main line. And a leakage protective switch is recommended to be fitted.
4. The equipotential terminal should be connected with copper cable under the relative regulation. The size of copper cable should not be less than 2.5 mm².

Warning!

! If the appliance is close to the wall, clapboard, other kitchen equipments, and decoration board, it is recommended that these neighboring objects should be made from non-inflammable materials. Otherwise, the appliance should be separated from these objects by non-inflammable and insulation materials.

! The equipotential terminal ∇ should be connected according to the relative regulation.

D. Instruction for operation

1. Before using, make sure the supply voltage coordinate with the rated voltage of appliance and the ground connection is correct and fastened.
2. When using, don't put any objects onto the top of appliance, especially the inflammable things, such as towels, and clothes, etc.
3. If there is abnormal situation occurred when using, please stop using appliance immediately and cut off the electric power.

E. Cleaning and maintenance

1. Cut off the power supply before cleaning the appliance in case of any electric shock accidents.
2. Before cleaning or maintaining, wait till the appliance cools down completely.
3. If do not use the appliance at any time, please turn off temperature controller and main switch.
4. After the appliance finished the daily work. Use wet soft cloth and mild detergent to clean the appliance.
5. If not going to use the appliance for a long time, please completely clean it and store it in a ventilated storehouse where without corrosive gas.

WARNING!

Do not use any abrasive cleaning materials or water spray, wipe clean only. Never use a water hose or pressurized steam cleaning equipment when cleaning this fryer.

F. Troubleshooting

Before maintaining the appliance, please unplug the appliance and make sure the power is cut off.

Symptoms	Causes	Solution
1. The appliance doesn't work.	1. No power	1. Get through the power
2. The leakage protecting switch is tripping.	There is a current leakage among some electric component.	Stop using and inform the qualified electrician to repair.
3. It takes long time to heat up the water.	1. The supply power is not coordinated with the power that the appliance requires to use, such as the different voltage, etc. 2. Heating element damaged.	1. Supply proper electric power. 2. Stop using and inform the qualified electrician to repair.
4. The thermostat doesn't work.	1. The temperature sensor is loose. 2. Thermostat is damaged.	1. Fasten the temperature sensor. 2. Inform qualified electrician to repair.

Aforementioned troubles are just for reference. If any fault occurs, please stop using, and inform the professional technicians to check and repair.

