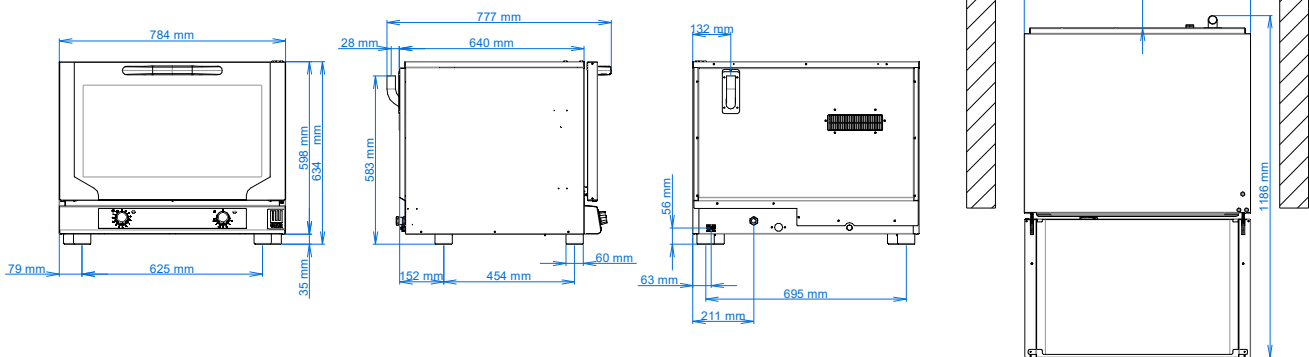


EKF 464 NP



ELECTRIC CONVECTION OVEN WITH MANUAL CONTROL

Use: Bakery



DIMENSIONAL FEATURES

Oven dimensions (WxDxH mm)	784	777	634
Oven weight (kg)	51,2		
Distance between rack rails (mm)	83		

ELECTRICAL FEATURES

Power supply (kW)	6,2
Frequency (Hz)	50 (60 on demand)
Voltage (Volt)	AC 380/400 3N
N° of motors	1 Bidirectional
Boiler	/
Protection against water	IPX4

FUNCTIONAL FEATURES

Power	Electricity
Capacity	N° 4 trays/grids 600 x 400 mm
Type of cooking	Ventilated
Steam	/
Cooking chamber	AISI 430 Stainless steel
Temperature	100 - 260 °C
Temperature control	Thermostat
Control panel	Electromechanic - Lower side
N° of programs	/
Programmable cooking steps	/
Pre-heating temperature	/
Pre-heating function	/
Door	Tilt door Ventilated Inspectionable glass
Modularity	Available

EQUIPMENT

Cardboard box dimensions (WxDxH mm)	805	830	800
Lateral supports	1 right + 1 left		
Cable	Three-phase+Neutral [5G 2,5] - L=1600 mm		