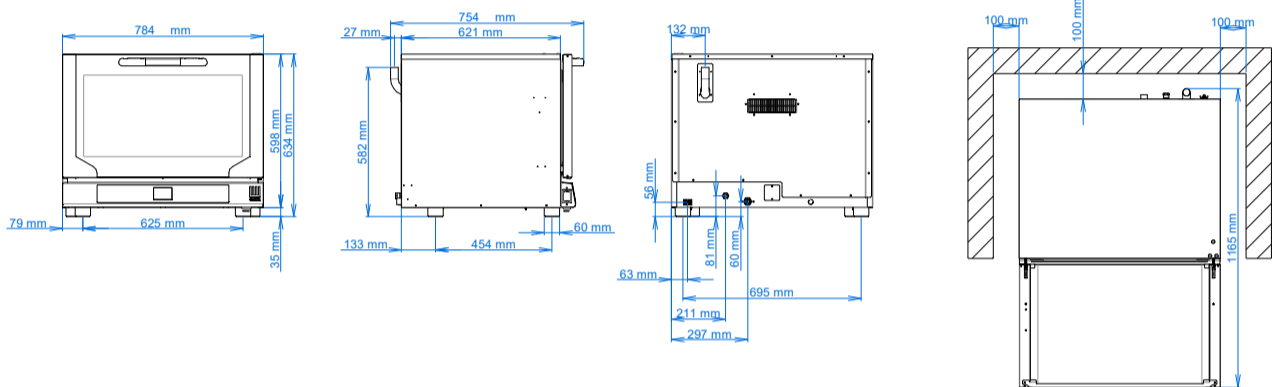


EKF 411.3 NT



ELECTRIC COMBI OVEN WITH TOUCH SCREEN AND INDIRECT STEAM

Use: Gastronomy



DIMENSIONAL FEATURES			
Oven dimensions (WxDxH mm)	784	754	634
Oven weight (kg)	50,6		
Distance between rack rails (mm)	73		

ELECTRICAL FEATURES	
Power supply (kW)	5,2
Frequency (Hz)	50/60
Voltage (Volt)	AC 380/400 3N
N° of motors	2 Unidirectionals
Protection against water	IPX4

FUNCTIONAL FEATURES	
Power	Electricity
Capacity	N° 4 trays/grids 1/1 GN
Type of cooking	Ventilated
Steam	Indirect controlled by Touch Screen
Cooking chamber	AISI 430 Stainless steel
Temperature	30 - 260 °C
Temperature control	Digital probe thermometer
Control panel	Touch-Lower side
N° of programs	100
Programmable cooking steps	5
Pre-heating temperature	180°C
Pre-heating function	Available
Door	Tilt door Ventilated Inspectionable glass
Modularity	Available

EQUIPMENT			
Cardboard box dimensions (WxDxH mm)	805	830	800
Lateral supports	1 right + 1 left		
Cable	Three-phases+Neutral [5G 2,5] - L=1600 mm		

PLUS	
Core probe setup (on request)	
Core probe (on request)	
Core probe support (on request)	
Wi-Fi module (on request)	